



Ultra Low Head Cap Screws

hex. drive - 303 stainless - blackened

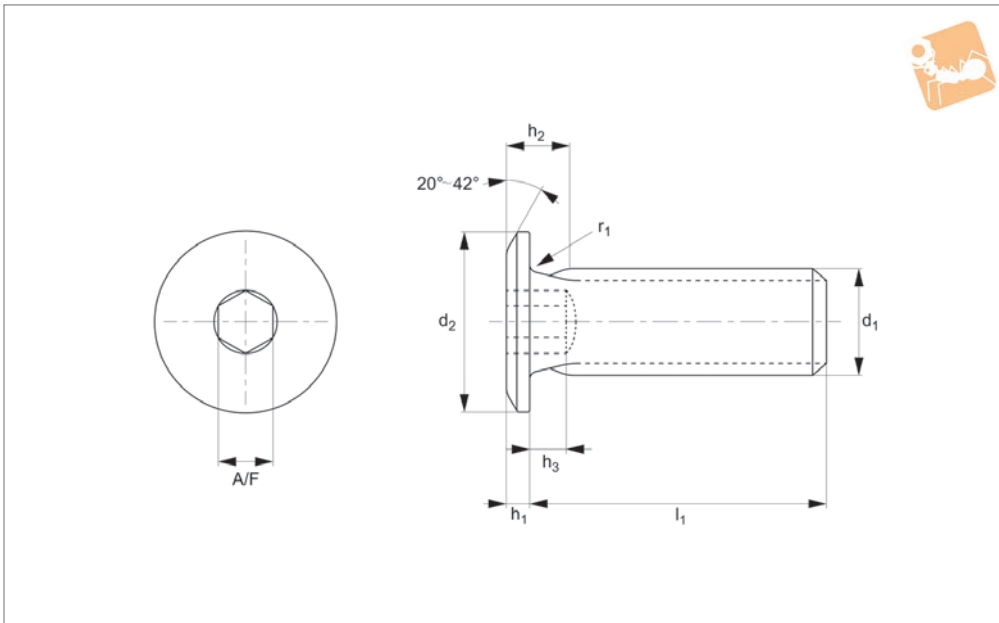
Standard Screws



P0208.B2

MADE IN BRITAIN

STANDARD SCREWS



Material

Stainless steel (AISI 303, 1.4305), with black oxide coating.
Tensile strength ~350N/mm²

(except for M2 ~200N/mm²).

Technical Notes

The ultra low head is extremely low profile.

These screws do not require a countersunk location hole. Most suitable for machine and equipment applications with minimal clearance.

Order No.	d ₁	d ₂	h ₁	h ₂ max.	h ₃ max.	l ₁	r ₁ min.	A/F	Torque to Nm max.
P0208.020-003-B2	M 2	4	0.5	1.2	1.2	3	0.10	1.3	0.16
P0208.020-004-B2	M 2	4	0.5	1.2	1.2	4	0.10	1.3	0.16
P0208.020-005-B2	M 2	4	0.5	1.2	1.2	5	0.10	1.3	0.16
P0208.020-006-B2	M 2	4	0.5	1.2	1.2	6	0.10	1.3	0.16
P0208.020-008-B2	M 2	4	0.5	1.2	1.2	8	0.10	1.3	0.16
P0208.020-010-B2	M 2	4	0.5	1.2	1.2	10	0.10	1.3	0.16
P0208.025-003-B2	M 2,5	5	0.6	1.5	1.2	3	0.10	1.3	0.35
P0208.025-004-B2	M 2,5	5	0.6	1.5	1.2	4	0.10	1.3	0.35
P0208.025-005-B2	M 2,5	5	0.6	1.5	1.2	5	0.10	1.3	0.35
P0208.025-006-B2	M 2,5	5	0.6	1.5	1.2	6	0.10	1.3	0.35
P0208.030-005-B2	M 3	6	0.8	2.0	1.4	5	0.10	1.5	0.60
P0208.030-006-B2	M 3	6	0.8	2.0	1.4	6	0.10	1.5	0.60
P0208.030-008-B2	M 3	6	0.8	2.0	1.4	8	0.10	1.5	0.60
P0208.030-010-B2	M 3	6	0.8	2.0	1.4	10	0.10	1.5	0.60
P0208.030-012-B2	M 3	6	0.8	2.0	1.4	12	0.10	1.5	0.60
P0208.030-016-B2	M 3	6	0.8	2.0	1.4	16	0.10	1.5	0.60
P0208.040-005-B2	M 4	8	0.9	2.5	1.5	5	0.20	2.0	1.10
P0208.040-006-B2	M 4	8	0.9	2.5	1.5	6	0.20	2.0	1.10
P0208.040-008-B2	M 4	8	0.9	2.5	1.5	8	0.20	2.0	1.10
P0208.040-010-B2	M 4	8	0.9	2.5	1.5	10	0.20	2.0	1.10
P0208.040-012-B2	M 4	8	0.9	2.5	1.5	12	0.20	2.0	1.10
P0208.040-016-B2	M 4	8	0.9	2.5	1.5	16	0.20	2.0	1.10
P0208.040-020-B2	M 4	8	0.9	2.5	1.5	20	0.20	2.0	1.10
P0208.040-025-B2	M 4	8	0.9	2.5	1.5	25	0.20	2.0	1.10
P0208.050-006-B2	M 5	9	1.0	3.0	1.8	6	0.20	2.5	2.20
P0208.050-008-B2	M 5	9	1.0	3.0	1.8	8	0.20	2.5	2.20
P0208.050-010-B2	M 5	9	1.0	3.0	1.8	10	0.20	2.5	2.20
P0208.050-012-B2	M 5	9	1.0	3.0	1.8	12	0.20	2.5	2.20
P0208.050-016-B2	M 5	9	1.0	3.0	1.8	16	0.20	2.5	2.20
P0208.050-020-B2	M 5	9	1.0	3.0	1.8	20	0.20	2.5	2.20
P0208.050-025-B2	M 5	9	1.0	3.0	1.8	25	0.20	2.5	2.20
P0208.060-008-B2	M 6	10	1.2	4.0	2.2	8	0.25	3.0	5.00
P0208.060-010-B2	M 6	10	1.2	4.0	2.2	10	0.25	3.0	5.00



Order No.	d ₁	d ₂	h ₁	h ₂ max.	h ₃ max.	l ₁	r ₁ min.	A/F	Torque to Nm max.
P0208.060-012-B2	M 6	10	1.2	4.0	2.2	12	0.25	3.0	5.00
P0208.060-016-B2	M 6	10	1.2	4.0	2.2	16	0.25	3.0	5.00
P0208.060-020-B2	M 6	10	1.2	4.0	2.2	20	0.25	3.0	5.00
P0208.060-025-B2	M 6	10	1.2	4.0	2.2	25	0.25	3.0	5.00