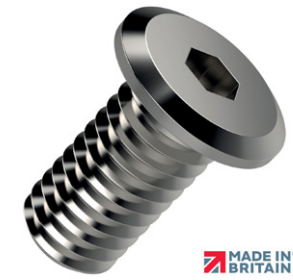




Ultra Low Head Cap Screws

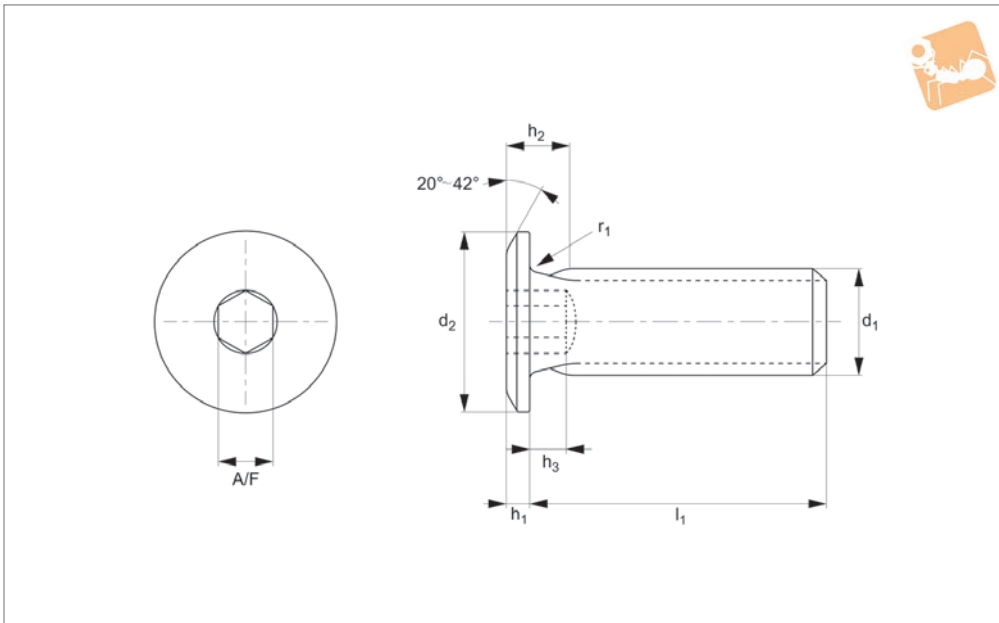
hex. drive - 316 series stainless

Standard Screws



P0208.A4

STANDARD SCREWS



Material

Stainless steel (AISI 316, 1.4401). This grade has a higher resistance to corrosion than 303 series stainless and is suitable for outdoor use and marine environments.

Tensile strength ~500N/mm² minimum.

Technical Notes

The ultra low head is extremely low profile. These screws do not require a countersunk

location hole. Most suitable for machine and equipment applications with minimal clearance.

Order No.	d ₁	d ₂	h ₁	h ₂ max.	h ₃ max.	l ₁	r ₁ min.	A/F	Torque to Nm max.
P0208.020-003-A4	M 2	4	0.5	1.2	1.2	3	0.10	1.3	0.16
P0208.020-004-A4	M 2	4	0.5	1.2	1.2	4	0.10	1.3	0.16
P0208.020-005-A4	M 2	4	0.5	1.2	1.2	5	0.10	1.3	0.16
P0208.020-006-A4	M 2	4	0.5	1.2	1.2	6	0.10	1.3	0.16
P0208.020-008-A4	M 2	4	0.5	1.2	1.2	8	0.10	1.3	0.16
P0208.020-010-A4	M 2	4	0.5	1.2	1.2	10	0.10	1.3	0.16
P0208.025-003-A4	M 2,5	5	0.6	1.5	1.2	3	0.10	1.3	0.35
P0208.025-004-A4	M 2,5	5	0.6	1.5	1.2	4	0.10	1.3	0.35
P0208.025-005-A4	M 2,5	5	0.6	1.5	1.2	5	0.10	1.3	0.35
P0208.025-006-A4	M 2,5	5	0.6	1.5	1.2	6	0.10	1.3	0.35
P0208.030-005-A4	M 3	6	0.8	2.0	1.4	5	0.10	1.5	0.60
P0208.030-006-A4	M 3	6	0.8	2.0	1.4	6	0.10	1.5	0.60
P0208.030-008-A4	M 3	6	0.8	2.0	1.4	8	0.10	1.5	0.60
P0208.030-010-A4	M 3	6	0.8	2.0	1.4	10	0.10	1.5	0.60
P0208.030-012-A4	M 3	6	0.8	2.0	1.4	12	0.10	1.5	0.60
P0208.030-016-A4	M 3	6	0.8	2.0	1.4	16	0.10	1.5	0.60
P0208.040-005-A4	M 4	8	0.9	2.5	1.5	5	0.20	2.0	1.10
P0208.040-006-A4	M 4	8	0.9	2.5	1.5	6	0.20	2.0	1.10
P0208.040-008-A4	M 4	8	0.9	2.5	1.5	8	0.20	2.0	1.10
P0208.040-010-A4	M 4	8	0.9	2.5	1.5	10	0.20	2.0	1.10
P0208.040-012-A4	M 4	8	0.9	2.5	1.5	12	0.20	2.0	1.10
P0208.040-016-A4	M 4	8	0.9	2.5	1.5	16	0.20	2.0	1.10
P0208.040-020-A4	M 4	8	0.9	2.5	1.5	20	0.20	2.0	1.10
P0208.040-025-A4	M 4	8	0.9	2.5	1.5	25	0.20	2.0	1.10
P0208.050-006-A4	M 5	9	1.0	3.0	1.8	6	0.20	2.5	2.20
P0208.050-008-A4	M 5	9	1.0	3.0	1.8	8	0.20	2.5	2.20
P0208.050-010-A4	M 5	9	1.0	3.0	1.8	10	0.20	2.5	2.20
P0208.050-012-A4	M 5	9	1.0	3.0	1.8	12	0.20	2.5	2.20
P0208.050-016-A4	M 5	9	1.0	3.0	1.8	16	0.20	2.5	2.20
P0208.050-020-A4	M 5	9	1.0	3.0	1.8	20	0.20	2.5	2.20
P0208.050-025-A4	M 5	9	1.0	3.0	1.8	25	0.20	2.5	2.20
P0208.060-008-A4	M 6	10	1.2	4.0	2.2	8	0.25	3.0	5.00



Order No.	d ₁	d ₂	h ₁	h ₂ max.	h ₃ max.	l ₁	r ₁ min.	A/F	Torque to Nm max.
P0208.060-010-A4	M 6	10	1.2	4.0	2.2	10	0.25	3.0	5.00
P0208.060-012-A4	M 6	10	1.2	4.0	2.2	12	0.25	3.0	5.00
P0208.060-016-A4	M 6	10	1.2	4.0	2.2	16	0.25	3.0	5.00
P0208.060-020-A4	M 6	10	1.2	4.0	2.2	20	0.25	3.0	5.00
P0208.060-025-A4	M 6	10	1.2	4.0	2.2	25	0.25	3.0	5.00

STANDARD SCREWS