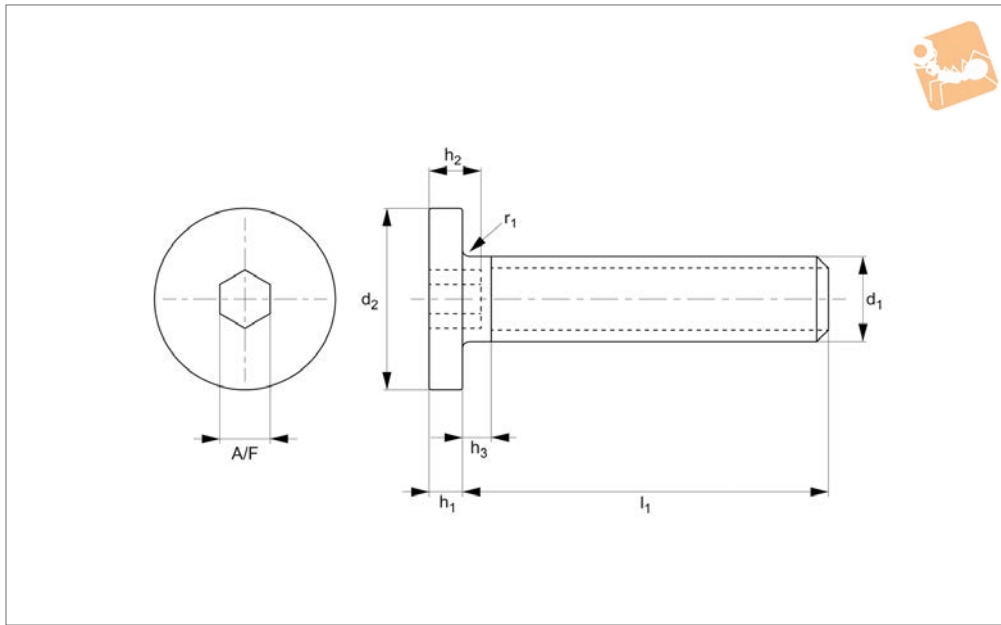




Extra Low Head Cap Screws

hex. drive - 316 series stainless

Standard Screws



P0207.A4

STANDARD SCREWS

Material

Stainless steel (AISI 316, 1.4401). This grade has a higher resistance to corrosion than 303 series stainless and is suitable for

outdoor use and marine environments.
Tensile strength ~500N/mm² minimum.

Technical Notes

Extra low head cap screws reduce the screw head height space. They require no countersinking unlike flat head screws.

| Order No. | d ₁ | d ₂ | h ₁ | h ₂ max. | h ₃ max. | l ₁ | r ₁ | A/F | Torque to Nm max. |
|------------------|----------------|----------------|----------------|------------------------|------------------------|----------------|----------------|-----|-------------------------|
| P0207.020-003-A4 | M 2 | 4 | 1.5 | 1.2 | 1.2 | 3 | 0.10 | 1.3 | 0.16 |
| P0207.020-004-A4 | M 2 | 4 | 1.5 | 1.2 | 1.2 | 4 | 0.10 | 1.3 | 0.16 |
| P0207.020-005-A4 | M 2 | 4 | 1.5 | 1.2 | 1.2 | 5 | 0.10 | 1.3 | 0.16 |
| P0207.020-006-A4 | M 2 | 4 | 1.5 | 1.2 | 1.2 | 6 | 0.10 | 1.3 | 0.16 |
| P0207.020-008-A4 | M 2 | 4 | 1.5 | 1.2 | 1.2 | 8 | 0.10 | 1.3 | 0.16 |
| P0207.020-010-A4 | M 2 | 4 | 1.5 | 1.2 | 1.2 | 10 | 0.10 | 1.3 | 0.16 |
| P0207.020-012-A4 | M 2 | 4 | 1.5 | 1.2 | 1.2 | 12 | 0.10 | 1.3 | 0.16 |
| P0207.025-003-A4 | M 2,5 | 5 | 1.5 | 1.5 | 1.5 | 3 | 0.10 | 1.3 | 0.35 |
| P0207.025-004-A4 | M 2,5 | 5 | 1.5 | 1.5 | 1.5 | 4 | 0.10 | 1.3 | 0.35 |
| P0207.025-005-A4 | M 2,5 | 5 | 1.5 | 1.5 | 1.5 | 5 | 0.10 | 1.3 | 0.35 |
| P0207.025-006-A4 | M 2,5 | 5 | 1.5 | 1.5 | 1.5 | 6 | 0.10 | 1.3 | 0.35 |
| P0207.025-008-A4 | M 2,5 | 5 | 1.5 | 1.5 | 1.5 | 8 | 0.10 | 1.3 | 0.35 |
| P0207.025-010-A4 | M 2,5 | 5 | 1.5 | 1.5 | 1.5 | 10 | 0.10 | 1.3 | 0.35 |
| P0207.025-012-A4 | M 2,5 | 5 | 1.5 | 1.5 | 1.5 | 12 | 0.10 | 1.3 | 0.35 |
| P0207.030-004-A4 | M 3 | 6 | 1.5 | 2.0 | 1.6 | 4 | 0.10 | 1.5 | 0.60 |
| P0207.030-005-A4 | M 3 | 6 | 1.5 | 2.0 | 1.6 | 5 | 0.10 | 1.5 | 0.60 |
| P0207.030-006-A4 | M 3 | 6 | 1.5 | 2.0 | 1.6 | 6 | 0.10 | 1.5 | 0.60 |
| P0207.030-008-A4 | M 3 | 6 | 1.5 | 2.0 | 1.6 | 8 | 0.10 | 1.5 | 0.60 |
| P0207.030-010-A4 | M 3 | 6 | 1.5 | 2.0 | 1.6 | 10 | 0.10 | 1.5 | 0.60 |
| P0207.030-012-A4 | M 3 | 6 | 1.5 | 2.0 | 1.6 | 12 | 0.10 | 1.5 | 0.60 |
| P0207.030-014-A4 | M 3 | 6 | 1.5 | 2.0 | 1.6 | 14 | 0.10 | 1.5 | 0.60 |
| P0207.030-016-A4 | M 3 | 6 | 1.5 | 2.0 | 1.6 | 16 | 0.10 | 1.5 | 0.60 |
| P0207.040-005-A4 | M 4 | 8 | 1.5 | 2.5 | 1.6 | 5 | 0.20 | 2.0 | 1.10 |
| P0207.040-006-A4 | M 4 | 8 | 1.5 | 2.5 | 1.6 | 6 | 0.20 | 2.0 | 1.10 |
| P0207.040-008-A4 | M 4 | 8 | 1.5 | 2.5 | 1.6 | 8 | 0.20 | 2.0 | 1.10 |
| P0207.040-010-A4 | M 4 | 8 | 1.5 | 2.5 | 1.6 | 10 | 0.20 | 2.0 | 1.10 |
| P0207.040-012-A4 | M 4 | 8 | 1.5 | 2.5 | 1.6 | 12 | 0.20 | 2.0 | 1.10 |
| P0207.040-014-A4 | M 4 | 8 | 1.5 | 2.5 | 1.6 | 14 | 0.20 | 2.0 | 1.10 |
| P0207.040-016-A4 | M 4 | 8 | 1.5 | 2.5 | 1.6 | 16 | 0.20 | 2.0 | 1.10 |
| P0207.040-018-A4 | M 4 | 8 | 1.5 | 2.5 | 1.6 | 18 | 0.20 | 2.0 | 1.10 |
| P0207.040-020-A4 | M 4 | 8 | 1.5 | 2.5 | 1.6 | 20 | 0.20 | 2.0 | 1.10 |
| P0207.050-006-A4 | M 5 | 9 | 1.5 | 3.0 | 2.0 | 6 | 0.20 | 3.0 | 2.20 |
| P0207.050-008-A4 | M 5 | 9 | 1.5 | 3.0 | 2.0 | 8 | 0.20 | 3.0 | 2.20 |



STANDARD SCREWS

| Order No. | d ₁ | d ₂ | h ₁ | h ₂ max. | h ₃ max. | l ₁ | r ₁ | A/F | Torque to Nm max. |
|------------------|----------------|----------------|----------------|------------------------|------------------------|----------------|----------------|-----|-------------------------|
| P0207.050-010-A4 | M 5 | 9 | 1.5 | 3.0 | 2.0 | 10 | 0.20 | 3.0 | 2.20 |
| P0207.050-012-A4 | M 5 | 9 | 1.5 | 3.0 | 2.0 | 12 | 0.20 | 3.0 | 2.20 |
| P0207.050-014-A4 | M 5 | 9 | 1.5 | 3.0 | 2.0 | 14 | 0.20 | 3.0 | 2.20 |
| P0207.050-016-A4 | M 5 | 9 | 1.5 | 3.0 | 2.0 | 16 | 0.20 | 3.0 | 2.20 |
| P0207.050-018-A4 | M 5 | 9 | 1.5 | 3.0 | 2.0 | 18 | 0.20 | 3.0 | 2.20 |
| P0207.050-020-A4 | M 5 | 9 | 1.5 | 3.0 | 2.0 | 20 | 0.20 | 3.0 | 2.20 |
| P0207.050-025-A4 | M 5 | 9 | 1.5 | 3.0 | 2.0 | 25 | 0.20 | 3.0 | 2.20 |
| P0207.060-006-A4 | M 6 | 10 | 1.5 | 4.0 | 2.5 | 6 | 0.25 | 3.0 | 5.00 |
| P0207.060-008-A4 | M 6 | 10 | 1.5 | 4.0 | 2.5 | 8 | 0.25 | 3.0 | 5.00 |
| P0207.060-010-A4 | M 6 | 10 | 1.5 | 4.0 | 2.5 | 10 | 0.25 | 3.0 | 5.00 |
| P0207.060-012-A4 | M 6 | 10 | 1.5 | 4.0 | 2.5 | 12 | 0.25 | 3.0 | 5.00 |
| P0207.060-014-A4 | M 6 | 10 | 1.5 | 4.0 | 2.5 | 14 | 0.25 | 3.0 | 5.00 |
| P0207.060-016-A4 | M 6 | 10 | 1.5 | 4.0 | 2.5 | 16 | 0.25 | 3.0 | 5.00 |
| P0207.060-018-A4 | M 6 | 10 | 1.5 | 4.0 | 2.5 | 18 | 0.25 | 3.0 | 5.00 |
| P0207.060-020-A4 | M 6 | 10 | 1.5 | 4.0 | 2.5 | 20 | 0.25 | 3.0 | 5.00 |
| P0207.060-025-A4 | M 6 | 10 | 1.5 | 4.0 | 2.5 | 25 | 0.25 | 3.0 | 5.00 |
| P0207.060-030-A4 | M 6 | 10 | 1.5 | 4.0 | 2.5 | 30 | 0.25 | 3.0 | 5.00 |
| P0207.080-006-A4 | M 8 | 13 | 1.5 | 5.0 | 3.0 | 6 | 0.40 | 4.0 | 10.1 |
| P0207.080-008-A4 | M 8 | 13 | 1.5 | 5.0 | 3.0 | 8 | 0.40 | 4.0 | 10.1 |
| P0207.080-010-A4 | M 8 | 13 | 1.5 | 5.0 | 3.0 | 10 | 0.40 | 4.0 | 10.1 |
| P0207.080-012-A4 | M 8 | 13 | 1.5 | 5.0 | 3.0 | 12 | 0.40 | 4.0 | 10.1 |
| P0207.080-014-A4 | M 8 | 13 | 1.5 | 5.0 | 3.0 | 14 | 0.40 | 4.0 | 10.1 |
| P0207.080-016-A4 | M 8 | 13 | 1.5 | 5.0 | 3.0 | 16 | 0.40 | 4.0 | 10.1 |
| P0207.080-018-A4 | M 8 | 13 | 1.5 | 5.0 | 3.0 | 18 | 0.40 | 4.0 | 10.1 |
| P0207.080-020-A4 | M 8 | 13 | 1.5 | 5.0 | 3.0 | 20 | 0.40 | 4.0 | 10.1 |
| P0207.080-025-A4 | M 8 | 13 | 1.5 | 5.0 | 3.0 | 25 | 0.40 | 4.0 | 10.1 |
| P0207.080-030-A4 | M 8 | 13 | 1.5 | 5.0 | 3.0 | 30 | 0.40 | 4.0 | 10.1 |
| P0207.100-010-A4 | M10 | 16 | 1.5 | 6.0 | 3.5 | 10 | 0.40 | 5.0 | 17.5 |
| P0207.100-012-A4 | M10 | 16 | 1.5 | 6.0 | 3.5 | 12 | 0.40 | 5.0 | 17.5 |
| P0207.100-014-A4 | M10 | 16 | 1.5 | 6.0 | 3.5 | 14 | 0.40 | 5.0 | 17.5 |
| P0207.100-016-A4 | M10 | 16 | 1.5 | 6.0 | 3.5 | 16 | 0.40 | 5.0 | 17.5 |
| P0207.100-018-A4 | M10 | 16 | 1.5 | 6.0 | 3.5 | 18 | 0.40 | 5.0 | 17.5 |
| P0207.100-020-A4 | M10 | 16 | 1.5 | 6.0 | 3.5 | 20 | 0.40 | 5.0 | 17.5 |
| P0207.100-025-A4 | M10 | 16 | 1.5 | 6.0 | 3.5 | 25 | 0.40 | 5.0 | 17.5 |
| P0207.100-030-A4 | M10 | 16 | 1.5 | 6.0 | 3.5 | 30 | 0.40 | 5.0 | 17.5 |