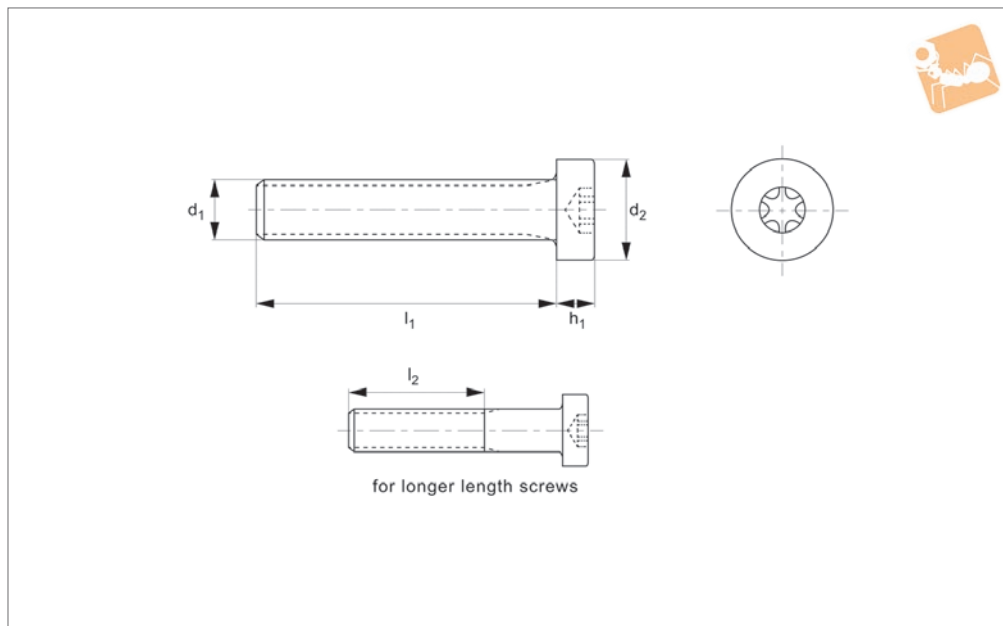




# TX Cap Screws

Low head

## Standard Screws



**P0206.A4**

STANDARD SCREWS

**Material**

Stainless steel A4.

**Technical Notes**

To DIN 14580. For the majority of

screw lengths the threads goes all the way to the head of the screw (i.e.  $l_1 = l_2$ ).  
For longer length screws the

threaded portion  $l_2$  1.

See technical page for tightening torques.

Order No.	Size	d <sub>1</sub>	d <sub>2</sub>	h <sub>1</sub>	l <sub>1</sub>	l <sub>2</sub>
P0206.050-008-A4	TX 25	M5	8.5	3.65	8	-
P0206.050-010-A4	TX 25	M5	8.5	3.65	10	-
P0206.050-012-A4	TX 25	M5	8.5	3.65	12	-
P0206.050-014-A4	TX 25	M5	8.5	3.65	14	-
P0206.050-016-A4	TX 25	M5	8.5	3.65	16	-
P0206.050-020-A4	TX 25	M5	8.5	3.65	20	16
P0206.050-025-A4	TX 25	M5	8.5	3.65	25	16
P0206.050-030-A4	TX 25	M5	8.5	3.65	30	16
P0206.050-035-A4	TX 25	M5	8.5	3.65	35	16
P0206.050-040-A4	TX 25	M5	8.5	3.65	40	16
P0206.050-045-A4	TX 25	M5	8.5	3.65	45	16
P0206.050-050-A4	TX 25	M5	8.5	3.65	50	16
P0206.050-055-A4	TX 25	M5	8.5	3.65	55	16
P0206.050-060-A4	TX 25	M5	8.5	3.65	60	16
P0206.050-065-A4	TX 25	M5	8.5	3.65	65	16
P0206.050-070-A4	TX 25	M5	8.5	3.65	70	16
P0206.060-008-A4	TX 30	M6	10	4.40	8	-
P0206.060-012-A4	TX 30	M6	10	4.40	12	-
P0206.060-016-A4	TX 30	M6	10	4.40	16	-
P0206.060-020-A4	TX 30	M6	10	4.40	20	18
P0206.060-025-A4	TX 30	M6	10	4.40	25	18
P0206.060-030-A4	TX 30	M6	10	4.40	30	18
P0206.060-035-A4	TX 30	M6	10	4.40	35	18
P0206.060-040-A4	TX 30	M6	10	4.40	40	18
P0206.060-045-A4	TX 30	M6	10	4.40	45	18
P0206.060-050-A4	TX 30	M6	10	4.40	50	18
P0206.060-055-A4	TX 30	M6	10	4.40	55	18
P0206.060-060-A4	TX 30	M6	10	4.40	60	18
P0206.060-065-A4	TX 30	M6	10	4.40	65	18
P0206.060-070-A4	TX 30	M6	10	4.40	70	18
P0206.080-010-A4	TX 45	M8	13	5.80	10	-
P0206.080-012-A4	TX 45	M8	13	5.80	12	-
P0206.080-016-A4	TX 45	M8	13	5.80	16	-
P0206.080-020-A4	TX 45	M8	13	5.80	20	-



Order No.	Size	d <sub>1</sub>	d <sub>2</sub>	h <sub>1</sub>	l <sub>1</sub>	l <sub>2</sub>
P0206.080-025-A4	TX 45	M8	13	5.80	25	22
P0206.080-030-A4	TX 45	M8	13	5.80	30	22
P0206.080-035-A4	TX 45	M8	13	5.80	35	22
P0206.080-040-A4	TX 45	M8	13	5.80	40	22
P0206.080-045-A4	TX 45	M8	13	5.80	45	22
P0206.080-050-A4	TX 45	M8	13	5.80	50	22
P0206.080-055-A4	TX 45	M8	13	5.80	55	22
P0206.080-060-A4	TX 45	M8	13	5.80	60	22
P0206.080-065-A4	TX 45	M8	13	5.80	65	22
P0206.080-070-A4	TX 45	M8	13	5.80	70	22
P0206.080-075-A4	TX 45	M8	13	5.80	75	22
P0206.080-080-A4	TX 45	M8	13	5.80	80	22

STANDARD SCREWS