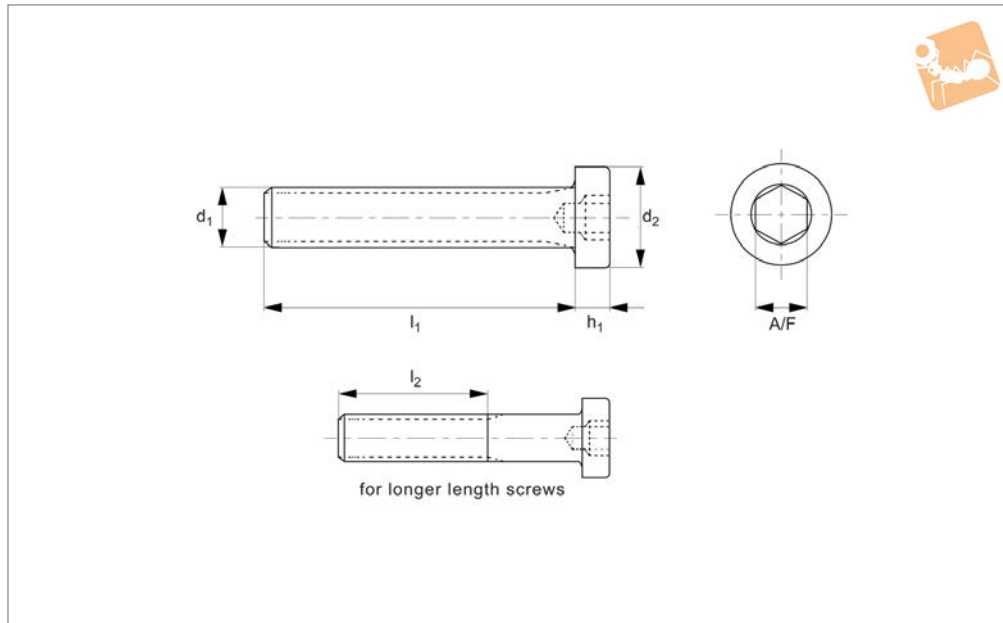




Low Head Cap Screws

Low head - steel, zinc-plated

Standard Screws



P0205.ZP

STANDARD SCREWS

Material

Steel, zinc-plated (grade 8.8, (08.8)).

Technical Notes

To DIN 7984. For the majority of screw

lengths the threads goes all the way to the head of the screw (i.e. $l_1 = l_2$).

For longer length screws the threaded portion $l_2 < l_1$.

Order No.	d_1	d_2	h_1	l_1	l_2	A/F	Material
P0205.030-005-ZP	M 3	5.5	2	5	-	2	Steel ZP
P0205.030-006-ZP	M 3	5.5	2	6	-	2	Steel ZP
P0205.030-008-ZP	M 3	5.5	2	8	-	2	Steel ZP
P0205.030-010-ZP	M 3	5.5	2	10	-	2	Steel ZP
P0205.030-012-ZP	M 3	5.5	2	12	12	2	Steel ZP
P0205.030-016-ZP	M 3	5.5	2	16	12	2	Steel ZP
P0205.030-020-ZP	M 3	5.5	2	20	12	2	Steel ZP
P0205.030-025-ZP	M 3	5.5	2	25	12	2	Steel ZP
P0205.040-006-ZP	M 4	7	2.8	6	-	2.5	Steel ZP
P0205.040-008-ZP	M 4	7	2.8	8	-	2.5	Steel ZP
P0205.040-010-ZP	M 4	7	2.8	10	-	2.5	Steel ZP
P0205.040-012-ZP	M 4	7	2.8	12	-	2.5	Steel ZP
P0205.040-016-ZP	M 4	7	2.8	16	14	2.5	Steel ZP
P0205.040-020-ZP	M 4	7	2.8	20	14	2.5	Steel ZP
P0205.040-025-ZP	M 4	7	2.8	25	14	2.5	Steel ZP
P0205.040-030-ZP	M 4	7	2.8	30	14	2.5	Steel ZP
P0205.040-035-ZP	M 4	7	2.8	35	14	2.5	Steel ZP
P0205.040-040-ZP	M 4	7	2.8	40	14	2.5	Steel ZP
P0205.050-006-ZP	M 5	8.5	3.5	6	-	3	Steel ZP
P0205.050-008-ZP	M 5	8.5	3.5	8	-	3	Steel ZP
P0205.050-010-ZP	M 5	8.5	3.5	10	-	3	Steel ZP
P0205.050-012-ZP	M 5	8.5	3.5	12	-	3	Steel ZP
P0205.050-014-ZP	M 5	8.5	3.5	14	-	3	Steel ZP
P0205.050-016-ZP	M 5	8.5	3.5	16	16	3	Steel ZP
P0205.050-020-ZP	M 5	8.5	3.5	20	16	3	Steel ZP
P0205.050-025-ZP	M 5	8.5	3.5	25	16	3	Steel ZP
P0205.050-030-ZP	M 5	8.5	3.5	30	16	3	Steel ZP
P0205.050-035-ZP	M 5	8.5	3.5	35	16	3	Steel ZP
P0205.050-040-ZP	M 5	8.5	3.5	40	16	3	Steel ZP
P0205.050-045-ZP	M 5	8.5	3.5	45	16	3	Steel ZP
P0205.050-050-ZP	M 5	8.5	3.5	50	16	3	Steel ZP
P0205.050-060-ZP	M 5	8.5	3.5	60	16	3	Steel ZP
P0205.060-008-ZP	M 6	10	4	8	-	4	Steel ZP
P0205.060-010-ZP	M 6	10	4	10	-	4	Steel ZP



STANDARD SCREWS

Order No.	d ₁	d ₂	h ₁	l ₁	l ₂	A/F	Material
P0205.060-012-ZP	M 6	10	4	12	-	4	Steel ZP
P0205.060-016-ZP	M 6	10	4	16	-	4	Steel ZP
P0205.060-020-ZP	M 6	10	4	20	18	4	Steel ZP
P0205.060-025-ZP	M 6	10	4	25	18	4	Steel ZP
P0205.060-030-ZP	M 6	10	4	30	18	4	Steel ZP
P0205.060-035-ZP	M 6	10	4	35	18	4	Steel ZP
P0205.060-040-ZP	M 6	10	4	40	18	4	Steel ZP
P0205.060-045-ZP	M 6	10	4	45	18	4	Steel ZP
P0205.060-050-ZP	M 6	10	4	50	18	4	Steel ZP
P0205.060-055-ZP	M 6	10	4	55	18	4	Steel ZP
P0205.060-060-ZP	M 6	10	4	60	18	4	Steel ZP
P0205.060-070-ZP	M 6	10	4	60	18	4	Steel ZP
P0205.080-010-ZP	M 8	13	5	10	-	5	Steel ZP
P0205.080-012-ZP	M 8	13	5	12	-	5	Steel ZP
P0205.080-016-ZP	M 8	13	5	16	-	5	Steel ZP
P0205.080-020-ZP	M 8	13	5	20	-	5	Steel ZP
P0205.080-025-ZP	M 8	13	5	25	22	5	Steel ZP
P0205.080-030-ZP	M 8	13	5	30	22	5	Steel ZP
P0205.080-035-ZP	M 8	13	5	35	22	5	Steel ZP
P0205.080-040-ZP	M 8	13	5	40	22	5	Steel ZP
P0205.080-045-ZP	M 8	13	5	45	22	5	Steel ZP
P0205.080-050-ZP	M 8	13	5	50	22	5	Steel ZP
P0205.080-055-ZP	M 8	13	5	55	22	5	Steel ZP
P0205.080-060-ZP	M 8	13	5	60	22	5	Steel ZP
P0205.080-070-ZP	M 8	13	5	70	22	5	Steel ZP
P0205.080-090-ZP	M 8	13	5	90	22	5	Steel ZP
P0205.080-100-ZP	M 8	13	5	1000	22	5	Steel ZP
P0205.100-016-ZP	M10	16	6.5	16	-	7	Steel ZP
P0205.100-020-ZP	M10	16	6.5	20	-	7	Steel ZP
P0205.100-025-ZP	M10	16	6.5	25	-	7	Steel ZP
P0205.100-030-ZP	M10	16	6.5	30	26	7	Steel ZP
P0205.100-035-ZP	M10	16	6.5	35	26	7	Steel ZP
P0205.100-040-ZP	M10	16	6.5	40	26	7	Steel ZP
P0205.100-045-ZP	M10	16	6.5	45	26	7	Steel ZP
P0205.100-050-ZP	M10	16	6.5	50	26	7	Steel ZP
P0205.100-055-ZP	M10	16	6.5	55	26	7	Steel ZP
P0205.100-060-ZP	M10	16	6.5	60	26	7	Steel ZP
P0205.100-070-ZP	M10	16	6.5	70	26	7	Steel ZP
P0205.100-080-ZP	M10	16	6.5	80	26	7	Steel ZP
P0205.100-090-ZP	M10	16	6.5	90	26	7	Steel ZP
P0205.100-100-ZP	M10	16	6.5	100	26	7	Steel ZP
P0205.120-020-ZP	M12	18	7.5	20	-	8	Steel ZP
P0205.120-025-ZP	M12	18	7.5	25	-	8	Steel ZP
P0205.120-030-ZP	M12	18	7.5	30	-	8	Steel ZP
P0205.120-035-ZP	M12	18	7.5	35	30	8	Steel ZP
P0205.120-040-ZP	M12	18	7.5	40	30	8	Steel ZP
P0205.120-045-ZP	M12	18	7.5	45	30	8	Steel ZP
P0205.120-050-ZP	M12	18	7.5	50	30	8	Steel ZP
P0205.120-055-ZP	M12	18	7.5	55	30	8	Steel ZP
P0205.120-060-ZP	M12	18	7.5	60	30	8	Steel ZP
P0205.120-070-ZP	M12	18	7.5	70	30	8	Steel ZP
P0205.120-080-ZP	M12	18	7.5	80	30	8	Steel ZP
P0205.160-025-ZP	M16	24	10	25	-	12	Steel ZP
P0205.160-030-ZP	M16	24	10	30	-	12	Steel ZP
P0205.160-035-ZP	M16	24	10	35	-	12	Steel ZP
P0205.160-040-ZP	M16	24	10	40	38	12	Steel ZP
P0205.160-045-ZP	M16	24	10	45	38	12	Steel ZP
P0205.160-050-ZP	M16	24	10	50	38	12	Steel ZP
P0205.160-055-ZP	M16	24	10	55	38	12	Steel ZP
P0205.160-060-ZP	M16	24	10	60	38	12	Steel ZP
P0205.160-070-ZP	M16	24	10	70	38	12	Steel ZP
P0205.160-080-ZP	M16	24	10	80	38	12	Steel ZP
P0205.160-100-ZP	M16	24	10	100	38	12	Steel ZP
P0205.200-035-ZP	M20	30	12	35	-	14	Steel ZP
P0205.200-040-ZP	M20	30	12	40	-	14	Steel ZP
P0205.200-045-ZP	M20	30	12	45	-	14	Steel ZP
P0205.200-050-ZP	M20	30	12	50	46	14	Steel ZP
P0205.200-060-ZP	M20	30	12	60	46	14	Steel ZP
P0205.200-070-ZP	M20	30	12	70	46	14	Steel ZP



Low Head Cap Screws

Low head - steel, zinc-plated

Standard Screws



Order No.	d ₁	d ₂	h ₁	l ₁	l ₂	A/F	Material
P0205.200-080-ZP	M20	30	12	80	46	14	Steel ZP
P0205.240-050-ZP	M24	36	14	50	-	19	Steel ZP
P0205.240-070-ZP	M24	36	14	70	54	19	Steel ZP
P0205.240-080-ZP	M24	36	14	80	54	19	Steel ZP
P0205.240-100-ZP	M24	36	14	100	54	19	Steel ZP