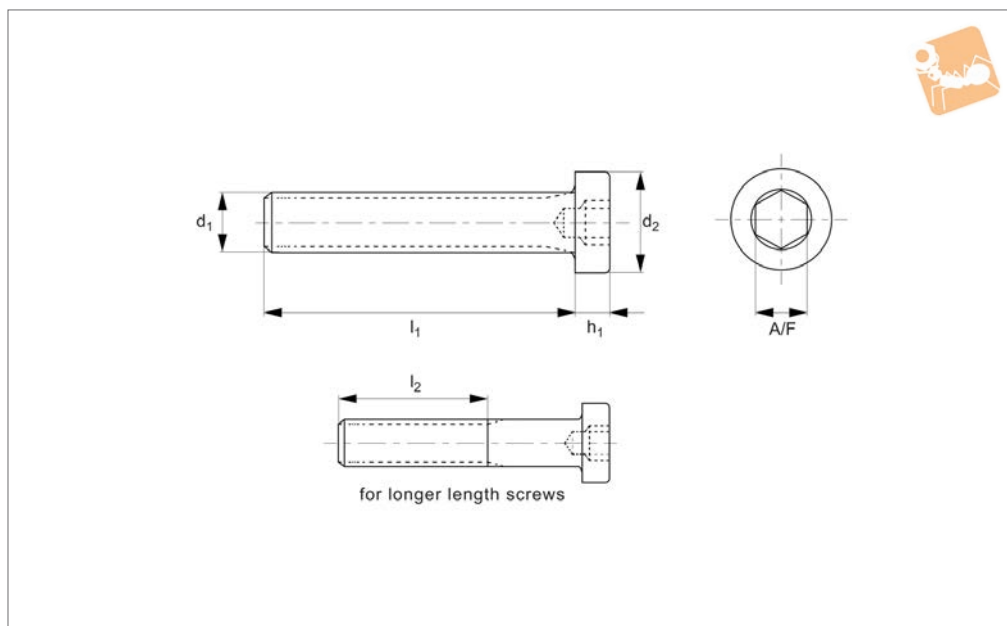
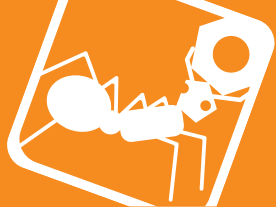


Low Head Cap Screws

Low head - A2 stainless

Standard Screws



P0205.A2

STANDARD SCREWS

Material

Stainless steel A2.

lengths the threads goes all the way to the head of the screw (i.e. $l_1 = l_2$).

See technical page for tightening torques.

Technical Notes

To DIN 7984. For the majority of screw

For longer length screws the threaded portion $l_2 < l_1$.

| Order No. | d ₁ | d ₂ | h ₁ | l ₁ | l ₂ | A/F | Material |
|------------------|----------------|----------------|----------------|----------------|----------------|-----|----------|
| P0205.030-005-A2 | M 3 | 5.5 | 2 | 5 | - | 2 | A2 s/s |
| P0205.030-006-A2 | M 3 | 5.5 | 2 | 6 | - | 2 | A2 s/s |
| P0205.030-008-A2 | M 3 | 5.5 | 2 | 8 | - | 2 | A2 s/s |
| P0205.030-010-A2 | M 3 | 5.5 | 2 | 10 | - | 2 | A2 s/s |
| P0205.030-012-A2 | M 3 | 5.5 | 2 | 12 | 12 | 2 | A2 s/s |
| P0205.030-016-A2 | M 3 | 5.5 | 2 | 16 | 12 | 2 | A2 s/s |
| P0205.030-020-A2 | M 3 | 5.5 | 2 | 20 | 12 | 2 | A2 s/s |
| P0205.030-025-A2 | M 3 | 5.5 | 2 | 25 | 12 | 2 | A2 s/s |
| P0205.030-030-A2 | M 3 | 5.5 | 2 | 30 | 12 | 2 | A2 s/s |
| P0205.030-035-A2 | M 3 | 5.5 | 2 | 35 | 12 | 2 | A2 s/s |
| P0205.030-040-A2 | M 3 | 5.5 | 2 | 40 | 12 | 2 | A2 s/s |
| P0205.040-006-A2 | M 4 | 7 | 2.8 | 6 | - | 2.5 | A2 s/s |
| P0205.040-008-A2 | M 4 | 7 | 2.8 | 8 | - | 2.5 | A2 s/s |
| P0205.040-010-A2 | M 4 | 7 | 2.8 | 10 | - | 2.5 | A2 s/s |
| P0205.040-012-A2 | M 4 | 7 | 2.8 | 12 | - | 2.5 | A2 s/s |
| P0205.040-014-A2 | M 4 | 7 | 2.8 | 14 | 14 | 2.5 | A2 s/s |
| P0205.040-016-A2 | M 4 | 7 | 2.8 | 16 | 14 | 2.5 | A2 s/s |
| P0205.040-020-A2 | M 4 | 7 | 2.8 | 20 | 14 | 2.5 | A2 s/s |
| P0205.040-025-A2 | M 4 | 7 | 2.8 | 25 | 14 | 2.5 | A2 s/s |
| P0205.040-030-A2 | M 4 | 7 | 2.8 | 30 | 14 | 2.5 | A2 s/s |
| P0205.040-035-A2 | M 4 | 7 | 2.8 | 35 | 14 | 2.5 | A2 s/s |
| P0205.040-040-A2 | M 4 | 7 | 2.8 | 40 | 14 | 2.5 | A2 s/s |
| P0205.050-006-A2 | M 5 | 8.5 | 3.5 | 6 | - | 3 | A2 s/s |
| P0205.050-008-A2 | M 5 | 8.5 | 3.5 | 8 | - | 3 | A2 s/s |
| P0205.050-010-A2 | M 5 | 8.5 | 3.5 | 10 | - | 3 | A2 s/s |
| P0205.050-012-A2 | M 5 | 8.5 | 3.5 | 12 | - | 3 | A2 s/s |
| P0205.050-014-A2 | M 5 | 8.5 | 3.5 | 14 | - | 3 | A2 s/s |
| P0205.050-016-A2 | M 5 | 8.5 | 3.5 | 16 | 16 | 3 | A2 s/s |
| P0205.050-018-A2 | M 5 | 8.5 | 3.5 | 18 | 16 | 3 | A2 s/s |
| P0205.050-020-A2 | M 5 | 8.5 | 3.5 | 20 | 16 | 3 | A2 s/s |
| P0205.050-025-A2 | M 5 | 8.5 | 3.5 | 25 | 16 | 3 | A2 s/s |
| P0205.050-030-A2 | M 5 | 8.5 | 3.5 | 30 | 16 | 3 | A2 s/s |
| P0205.050-035-A2 | M 5 | 8.5 | 3.5 | 35 | 16 | 3 | A2 s/s |
| P0205.050-040-A2 | M 5 | 8.5 | 3.5 | 40 | 16 | 3 | A2 s/s |



STANDARD SCREWS

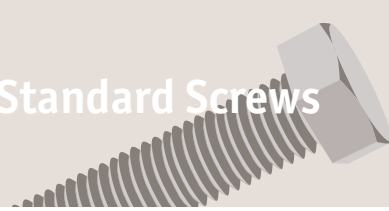
| Order No. | d ₁ | d ₂ | h ₁ | l ₁ | l ₂ | A/F | Material |
|------------------|----------------|----------------|----------------|----------------|----------------|-----|----------|
| P0205.050-045-A2 | M 5 | 8.5 | 3.5 | 45 | 16 | 3 | A2 s/s |
| P0205.050-050-A2 | M 5 | 8.5 | 3.5 | 50 | 16 | 3 | A2 s/s |
| P0205.050-060-A2 | M 5 | 8.5 | 3.5 | 60 | 16 | 3 | A2 s/s |
| P0205.050-070-A2 | M 5 | 8.5 | 3.5 | 70 | 16 | 3 | A2 s/s |
| P0205.060-008-A2 | M 6 | 10 | 4 | 8 | - | 4 | A2 s/s |
| P0205.060-010-A2 | M 6 | 10 | 4 | 10 | - | 4 | A2 s/s |
| P0205.060-012-A2 | M 6 | 10 | 4 | 12 | - | 4 | A2 s/s |
| P0205.060-016-A2 | M 6 | 10 | 4 | 16 | - | 4 | A2 s/s |
| P0205.060-020-A2 | M 6 | 10 | 4 | 20 | 18 | 4 | A2 s/s |
| P0205.060-025-A2 | M 6 | 10 | 4 | 25 | 18 | 4 | A2 s/s |
| P0205.060-030-A2 | M 6 | 10 | 4 | 30 | 18 | 4 | A2 s/s |
| P0205.060-035-A2 | M 6 | 10 | 4 | 35 | 18 | 4 | A2 s/s |
| P0205.060-040-A2 | M 6 | 10 | 4 | 40 | 18 | 4 | A2 s/s |
| P0205.060-045-A2 | M 6 | 10 | 4 | 45 | 18 | 4 | A2 s/s |
| P0205.060-050-A2 | M 6 | 10 | 4 | 50 | 18 | 4 | A2 s/s |
| P0205.060-055-A2 | M 6 | 10 | 4 | 55 | 18 | 4 | A2 s/s |
| P0205.060-060-A2 | M 6 | 10 | 4 | 60 | 18 | 4 | A2 s/s |
| P0205.060-070-A2 | M 6 | 10 | 4 | 70 | 18 | 4 | A2 s/s |
| P0205.080-010-A2 | M 8 | 13 | 5 | 10 | - | 5 | A2 s/s |
| P0205.080-012-A2 | M 8 | 13 | 5 | 12 | - | 5 | A2 s/s |
| P0205.080-016-A2 | M 8 | 13 | 5 | 16 | - | 5 | A2 s/s |
| P0205.080-020-A2 | M 8 | 13 | 5 | 20 | - | 5 | A2 s/s |
| P0205.080-025-A2 | M 8 | 13 | 5 | 25 | 22 | 5 | A2 s/s |
| P0205.080-030-A2 | M 8 | 13 | 5 | 30 | 22 | 5 | A2 s/s |
| P0205.080-035-A2 | M 8 | 13 | 5 | 35 | 22 | 5 | A2 s/s |
| P0205.080-040-A2 | M 8 | 13 | 5 | 40 | 22 | 5 | A2 s/s |
| P0205.080-045-A2 | M 8 | 13 | 5 | 45 | 22 | 5 | A2 s/s |
| P0205.080-050-A2 | M 8 | 13 | 5 | 50 | 22 | 5 | A2 s/s |
| P0205.080-055-A2 | M 8 | 13 | 5 | 55 | 22 | 5 | A2 s/s |
| P0205.080-060-A2 | M 8 | 13 | 5 | 60 | 22 | 5 | A2 s/s |
| P0205.080-070-A2 | M 8 | 13 | 5 | 70 | 22 | 5 | A2 s/s |
| P0205.080-080-A2 | M 8 | 13 | 5 | 80 | 22 | 5 | A2 s/s |
| P0205.080-090-A2 | M 8 | 13 | 5 | 90 | 22 | 5 | A2 s/s |
| P0205.080-100-A2 | M 8 | 13 | 5 | 1000 | 22 | 5 | A2 s/s |
| P0205.100-016-A2 | M10 | 16 | 6 | 16 | - | 7 | A2 s/s |
| P0205.100-020-A2 | M10 | 16 | 6 | 20 | - | 7 | A2 s/s |
| P0205.100-025-A2 | M10 | 16 | 6 | 25 | - | 7 | A2 s/s |
| P0205.100-030-A2 | M10 | 16 | 6 | 30 | 26 | 7 | A2 s/s |
| P0205.100-035-A2 | M10 | 16 | 6 | 35 | 26 | 7 | A2 s/s |
| P0205.100-040-A2 | M10 | 16 | 6 | 40 | 26 | 7 | A2 s/s |
| P0205.100-045-A2 | M10 | 16 | 6 | 45 | 26 | 7 | A2 s/s |
| P0205.100-050-A2 | M10 | 16 | 6 | 50 | 26 | 7 | A2 s/s |
| P0205.100-055-A2 | M10 | 16 | 6 | 55 | 26 | 7 | A2 s/s |
| P0205.100-060-A2 | M10 | 16 | 6 | 60 | 26 | 7 | A2 s/s |
| P0205.100-070-A2 | M10 | 16 | 6 | 70 | 26 | 7 | A2 s/s |
| P0205.100-080-A2 | M10 | 16 | 6 | 80 | 26 | 7 | A2 s/s |
| P0205.100-090-A2 | M10 | 16 | 6 | 90 | 26 | 7 | A2 s/s |
| P0205.100-100-A2 | M10 | 16 | 6 | 100 | 26 | 7 | A2 s/s |
| P0205.120-020-A2 | M12 | 18 | 7 | 20 | - | 8 | A2 s/s |
| P0205.120-025-A2 | M12 | 18 | 7 | 25 | - | 8 | A2 s/s |
| P0205.120-030-A2 | M12 | 18 | 7 | 30 | - | 8 | A2 s/s |
| P0205.120-035-A2 | M12 | 18 | 7 | 35 | 30 | 8 | A2 s/s |
| P0205.120-040-A2 | M12 | 18 | 7 | 40 | 30 | 8 | A2 s/s |
| P0205.120-045-A2 | M12 | 18 | 7 | 45 | 30 | 8 | A2 s/s |
| P0205.120-050-A2 | M12 | 18 | 7 | 50 | 30 | 8 | A2 s/s |
| P0205.120-055-A2 | M12 | 18 | 7 | 55 | 30 | 8 | A2 s/s |
| P0205.120-060-A2 | M12 | 18 | 7 | 60 | 30 | 8 | A2 s/s |
| P0205.120-070-A2 | M12 | 18 | 7 | 70 | 30 | 8 | A2 s/s |
| P0205.120-080-A2 | M12 | 18 | 7 | 80 | 30 | 8 | A2 s/s |
| P0205.120-090-A2 | M12 | 18 | 7 | 90 | 30 | 8 | A2 s/s |
| P0205.120-100-A2 | M12 | 18 | 7 | 100 | 30 | 8 | A2 s/s |
| P0205.160-025-A2 | M16 | 24 | 9 | 25 | - | 12 | A2 s/s |
| P0205.160-030-A2 | M16 | 24 | 9 | 30 | - | 12 | A2 s/s |
| P0205.160-035-A2 | M16 | 24 | 9 | 35 | - | 12 | A2 s/s |
| P0205.160-040-A2 | M16 | 24 | 9 | 40 | 38 | 12 | A2 s/s |
| P0205.160-045-A2 | M16 | 24 | 9 | 45 | 38 | 12 | A2 s/s |
| P0205.160-050-A2 | M16 | 24 | 9 | 50 | 38 | 12 | A2 s/s |
| P0205.160-055-A2 | M16 | 24 | 9 | 55 | 38 | 12 | A2 s/s |
| P0205.160-060-A2 | M16 | 24 | 9 | 60 | 38 | 12 | A2 s/s |



Low Head Cap Screws

Low head - A2 stainless

Standard Screws



| Order No. | d ₁ | d ₂ | h ₁ | l ₁ | l ₂ | A/F | Material |
|------------------|----------------|----------------|----------------|----------------|----------------|-----|----------|
| P0205.160-070-A2 | M16 | 24 | 9 | 70 | 38 | 12 | A2 s/s |
| P0205.160-080-A2 | M16 | 24 | 9 | 80 | 38 | 12 | A2 s/s |
| P0205.160-100-A2 | M16 | 24 | 9 | 100 | 38 | 12 | A2 s/s |
| P0205.160-120-A2 | M16 | 24 | 9 | 120 | 38 | 12 | A2 s/s |
| P0205.160-150-A2 | M16 | 24 | 9 | 150 | 38 | 12 | A2 s/s |
| P0205.200-035-A2 | M20 | 30 | 11 | 35 | - | 14 | A2 s/s |
| P0205.200-040-A2 | M20 | 30 | 11 | 40 | - | 14 | A2 s/s |
| P0205.200-045-A2 | M20 | 30 | 11 | 45 | - | 14 | A2 s/s |
| P0205.200-050-A2 | M20 | 30 | 11 | 50 | 46 | 14 | A2 s/s |
| P0205.200-055-A2 | M20 | 30 | 11 | 55 | 46 | 14 | A2 s/s |
| P0205.200-060-A2 | M20 | 30 | 11 | 60 | 46 | 14 | A2 s/s |
| P0205.200-070-A2 | M20 | 30 | 11 | 70 | 46 | 14 | A2 s/s |
| P0205.200-080-A2 | M20 | 30 | 11 | 80 | 46 | 14 | A2 s/s |
| P0205.200-100-A2 | M20 | 30 | 11 | 100 | 46 | 14 | A2 s/s |
| P0205.200-120-A2 | M20 | 30 | 11 | 120 | 46 | 14 | A2 s/s |
| P0205.200-150-A2 | M20 | 30 | 11 | 150 | 46 | 14 | A2 s/s |
| P0205.240-050-A2 | M24 | 36 | 14 | 50 | - | 19 | A2 s/s |
| P0205.240-055-A2 | M24 | 36 | 14 | 55 | 54 | 19 | A2 s/s |
| P0205.240-060-A2 | M24 | 36 | 14 | 60 | 54 | 19 | A2 s/s |
| P0205.240-065-A2 | M24 | 36 | 14 | 65 | 54 | 19 | A2 s/s |
| P0205.240-070-A2 | M24 | 36 | 14 | 70 | 54 | 19 | A2 s/s |
| P0205.240-080-A2 | M24 | 36 | 14 | 80 | 54 | 19 | A2 s/s |
| P0205.240-090-A2 | M24 | 36 | 14 | 90 | 54 | 19 | A2 s/s |
| P0205.240-100-A2 | M24 | 36 | 14 | 100 | 54 | 19 | A2 s/s |
| P0205.240-110-A2 | M24 | 36 | 14 | 110 | 54 | 19 | A2 s/s |
| P0205.240-120-A2 | M24 | 36 | 14 | 120 | 54 | 19 | A2 s/s |
| P0205.240-130-A2 | M24 | 36 | 14 | 130 | 54 | 19 | A2 s/s |
| P0205.240-140-A2 | M24 | 36 | 14 | 140 | 54 | 19 | A2 s/s |
| P0205.240-150-A2 | M24 | 36 | 14 | 150 | 54 | 19 | A2 s/s |

STANDARD SCREWS