

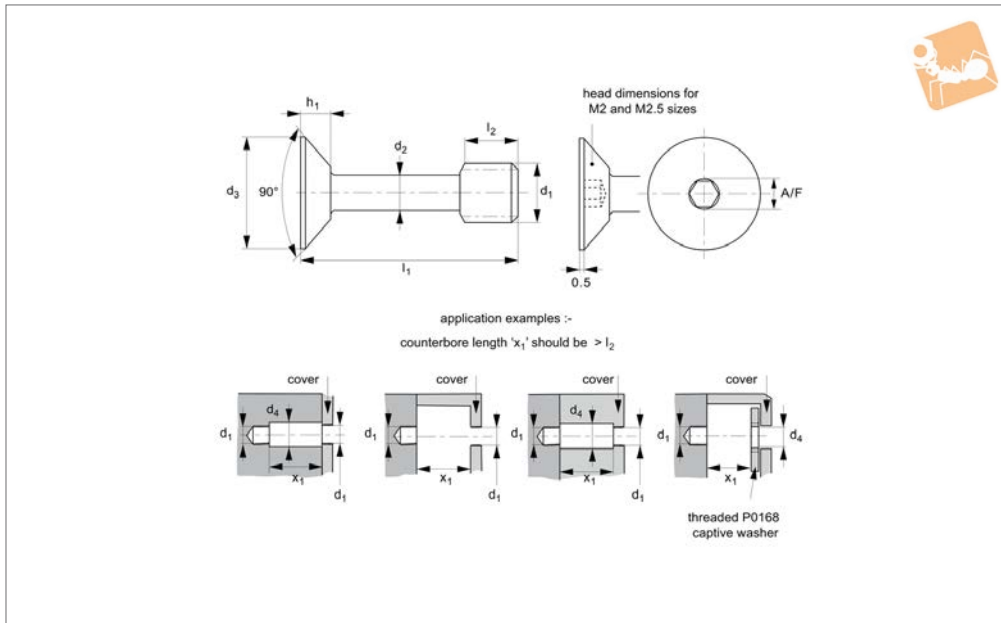


# Captive Screws - Countersunk

hex drive - 316 stainless, blackened



Captive Screws



MADE IN BRITAIN

P0153.B4

CAPTIVE SCREWS

### Material

Stainless steel (AISI 316, 1.440), black oxide coating. Tensile strength 480 N/mm<sup>2</sup>. Proof stress min. 200 N/mm<sup>2</sup>, austenitic stainless steel. Also available on request in steel (anodised, black oxide or zinc plated), brass, aluminium etc.

### Technical Notes

Used to comply with the Machinery Direc-

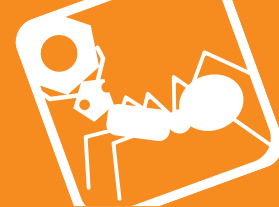
tive 2006/42/EC. Often used with our captive washers (P0168) or retaining flanges (P0169 - for sheet metal applications). The use of our captive washers should be considered when fitted in panels with unthreaded holes.

### Important Notes

Please note that these screws have a reduced diameter shank and should not be tightened to the recommended torque for

an equivalent machine screw of size  $d_1$ . To accommodate the slight undercut at the top of the shank, the hex socket is smaller than on a similar threaded machine screw.

Order No.	$d_1$	$l_1$ $\pm 0.25$	$d_2$ $\pm 0.12$	$l_2$ $\pm 0.25$	$d_3$ max.	$d_4$ min.	$h_1$ max.	A/F
P0153.020-010-B4	M 2	10	1.2	3.5	3.8	2.5	1.20	1.0
P0153.020-012-B4	M 2	12	1.2	3.5	3.8	2.5	1.20	1.0
P0153.020-016-B4	M 2	16	1.2	3.5	3.8	2.5	1.20	1.0
P0153.020-020-B4	M 2	20	1.2	3.5	3.8	2.5	1.20	1.0
P0153.025-010-B4	M 2,5	10	1.7	3.7	4.7	2.8	1.80	1.3
P0153.025-012-B4	M 2,5	12	1.7	3.7	4.7	2.8	1.80	1.3
P0153.025-016-B4	M 2,5	16	1.7	3.7	4.7	2.8	1.80	1.3
P0153.025-020-B4	M 2,5	20	1.7	3.7	4.7	2.8	1.80	1.3
P0153.030-008-B4	M 3	8	2.0	4.5	5.6	3.5	1.65	1.5
P0153.030-010-B4	M 3	10	2.0	4.5	5.6	3.5	1.65	1.5
P0153.030-012-B4	M 3	12	2.0	4.5	5.6	3.5	1.65	1.5
P0153.030-016-B4	M 3	16	2.0	4.5	5.6	3.5	1.65	1.5
P0153.030-020-B4	M 3	20	2.0	4.5	5.6	3.5	1.65	1.5
P0153.030-025-B4	M 3	25	2.0	4.5	5.6	3.5	1.65	1.5
P0153.030-030-B4	M 3	30	2.0	4.5	5.6	3.5	1.65	1.5
P0153.030-035-B4	M 3	35	2.0	4.5	5.6	3.5	1.65	1.5
P0153.030-040-B4	M 3	40	2.0	4.5	5.6	3.5	1.65	1.5
P0153.040-010-B4	M 4	10	2.8	6.0	7.5	4.5	2.20	2.0
P0153.040-012-B4	M 4	12	2.8	6.0	7.5	4.5	2.20	2.0
P0153.040-014-B4	M 4	14	2.8	6.0	7.5	4.5	2.20	2.0
P0153.040-016-B4	M 4	16	2.8	6.0	7.5	4.5	2.20	2.0
P0153.040-020-B4	M 4	20	2.8	6.0	7.5	4.5	2.20	2.0
P0153.040-025-B4	M 4	25	2.8	6.0	7.5	4.5	2.20	2.0
P0153.040-030-B4	M 4	30	2.8	6.0	7.5	4.5	2.20	2.0
P0153.040-035-B4	M 4	35	2.8	6.0	7.5	4.5	2.20	2.0
P0153.040-040-B4	M 4	40	2.8	6.0	7.5	4.5	2.20	2.0



CAPTIVE SCREWS

Order No.	d <sub>1</sub>	l <sub>1</sub> ±0.25	d <sub>2</sub> ±0.12	l <sub>2</sub> ±0.25	d <sub>3</sub> max.	d <sub>4</sub> min.	h <sub>1</sub> max.	A/F
P0153.040-050-B4	M 4	50	2.8	6.0	7.5	4.5	2.20	2.0
P0153.040-060-B4	M 4	60	2.8	6.0	7.5	4.5	2.20	2.0
P0153.050-012-B4	M 5	12	3.7	7.5	9.2	5.5	2.50	2.5
P0153.050-014-B4	M 5	14	3.7	7.5	9.2	5.5	2.50	2.5
P0153.050-016-B4	M 5	16	3.7	7.5	9.2	5.5	2.50	2.5
P0153.050-020-B4	M 5	20	3.7	7.5	9.2	5.5	2.50	2.5
P0153.050-025-B4	M 5	25	3.7	7.5	9.2	5.5	2.50	2.5
P0153.050-030-B4	M 5	30	3.7	7.5	9.2	5.5	2.50	2.5
P0153.050-035-B4	M 5	35	3.7	7.5	9.2	5.5	2.50	2.5
P0153.050-040-B4	M 5	40	3.7	7.5	9.2	5.5	2.50	2.5
P0153.050-050-B4	M 5	50	3.7	7.5	9.2	5.5	2.50	2.5
P0153.050-060-B4	M 5	60	3.7	7.5	9.2	5.5	2.50	2.5
P0153.060-016-B4	M 6	16	4.2	8.0	11.0	6.5	3.00	3.0
P0153.060-020-B4	M 6	20	4.2	8.0	11.0	6.5	3.00	3.0
P0153.060-025-B4	M 6	25	4.2	8.0	11.0	6.5	3.00	3.0
P0153.060-030-B4	M 6	30	4.2	8.0	11.0	6.5	3.00	3.0
P0153.060-035-B4	M 6	35	4.2	8.0	11.0	6.5	3.00	3.0
P0153.060-040-B4	M 6	40	4.2	8.0	11.0	6.5	3.00	3.0
P0153.060-050-B4	M 6	50	4.2	8.0	11.0	6.5	3.00	3.0
P0153.060-060-B4	M 6	60	4.2	8.0	11.0	6.5	3.00	3.0
P0153.080-020-B4	M 8	20	6.0	10.0	15.0	8.5	4.10	4.0
P0153.080-025-B4	M 8	25	6.0	10.0	15.0	8.5	4.10	4.0
P0153.080-030-B4	M 8	30	6.0	10.0	15.0	8.5	4.10	4.0
P0153.080-040-B4	M 8	40	6.0	10.0	15.0	8.5	4.10	4.0
P0153.080-050-B4	M 8	50	6.0	10.0	15.0	8.5	4.10	4.0
P0153.080-060-B4	M 8	60	6.0	10.0	15.0	8.5	4.10	4.0