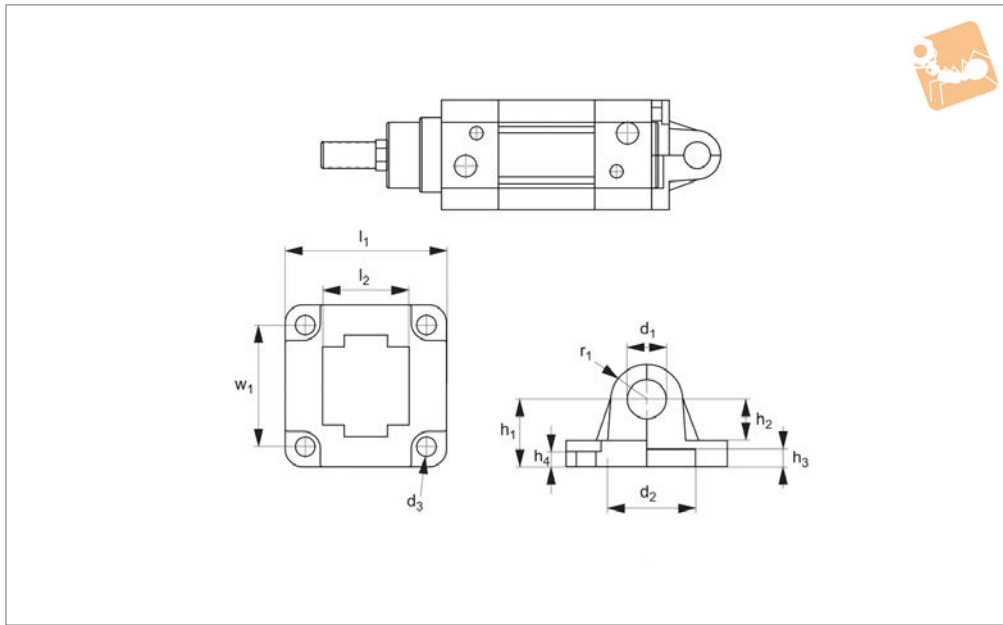




Air Cylinder Mounts - CETOP Series

EBX foot mounting



L4818

CYLINDERS

Material

Steel (DIN 1040).

Technical Notes

CETOP Series

Order No.	Cylinder dia.	d ₁	d ₂	d ₃	r ₁	l ₁	l ₂	w ₁	h ₁	h ₂	h ₃	h ₄
L4818.032	32	10	30	6	10	45	26	32.5	22	14	4.5	7.0
L4818.040	40	12	35	6	12	52	28	39.6	25	16	4.5	6.0
L4818.050	50	12	40	7	12	64	32	48.0	27	16	4.5	7.0
L4818.063	63	16/18	42	7	16	78	40	59.4	32	23	6.5	6.5
L4818.080	80	16/18	48	9	16	95	50	70.7	36	24	6.5	10.0
L4818.100	100	20	56	9	20	115	60	93.4	43	28	7.0	10.0
L4818.125	125	25	63	11	30	136	70	106.0	55	35	10.0	13.0