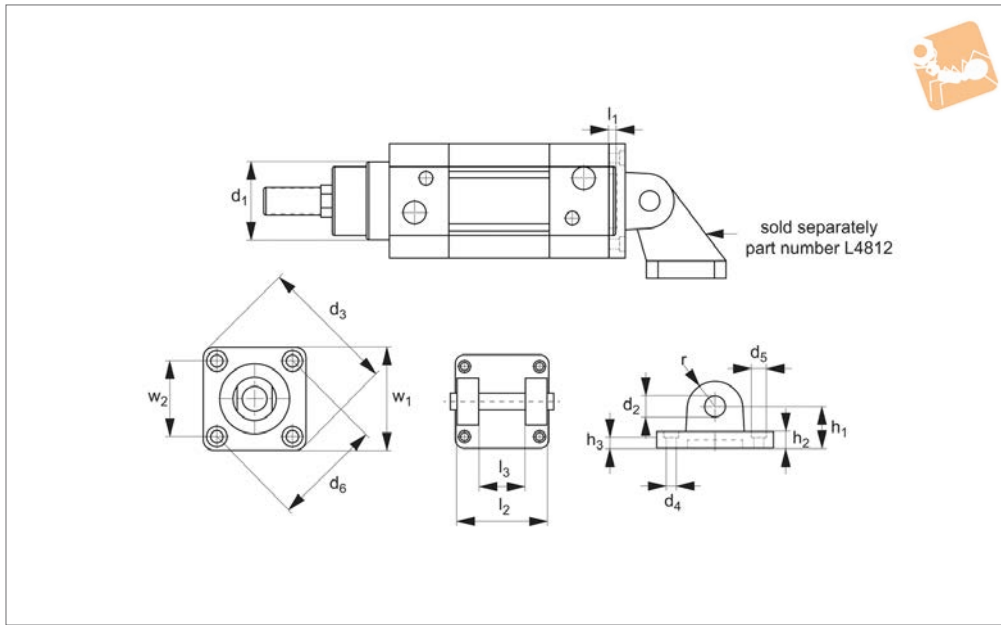




Air Cylinder Mounts - CETOP Series

swivel flange

Cylinders



L4810

CYLINDERS

Material

Steel (DIN 1040).

Technical Notes

CETOP Series

Order No.	Cylinder dia.	d ₁	d ₂	d ₃	d ₄	d ₅	d ₆	R	l ₁	l ₂	l ₃	w ₁	w ₂	h ₁	h ₂	h ₃
L4810.032	32	30	10	58	7	11	46	10	4	45	26	45	32.5	22	8	3
L4810.040	40	35	12	71	7	11	56	13	5	52	28	54	39.6	25	9	4
L4810.050	50	40	12	85	9	15	68	16	5	60	32	65	48.0	27	11	5
L4810.063	63	42	16	105	9	15	84	18	6	70	40	80	59.4	35	12	5
L4810.080	80	48	16	125	11	18	100	18	6	90	50	96	70.7	38	14	6
L4810.100	100	56	20	166	11	18	132	23	7	110	60	126	93.4	43	15	7
L4810.125	125	63	25	190	13	20	150	30	10	130	70	140	106.0	55	20	8
L4810.160	160	80	30	252	17	26	190	32	10	170	90	180	134.4	60	22	8