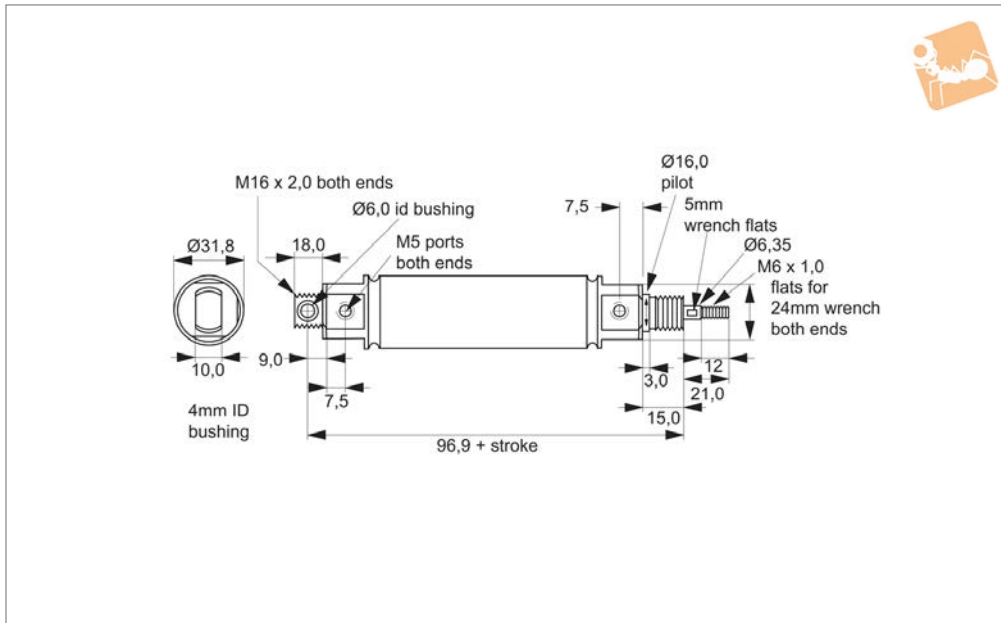




Anti-Stiction Air Cylinder - 24mm universal mount

Cylinders



L4540

CYLINDERS

Material

Carbon/graphite piston. Stainless steel rod (AISI 303). Stainless steel outer tube (AISI 304). Nickel plated aluminium cylinder heads and piston/rod coupling. Graphite filled bronze pivot bushing.

Technical Notes

Ultra low friction.
Corrosion resistant, no need for lubrication.

Operating temp range: -55°C to +150°C.
For applications operating below -20°C please add -ET to part number. Suitable for vacuum actuation.
Piston area = 452.5mm².
Force output at max pressure on rear side = 316.6N.
Force output at max pressure on rod side = 294.5N.
Piston friction as % of load (without side

load) = 1% - 2%.
Min pressure differential required for actuation = <0.0015 MPa.
Force factor rear side = 452.5N.
Force factor rod side = 420.8N.
(factor x pressure (MPa) = force output (N)).
*max leak measured at pressure of 0.34 MPa.

Order No.	Bore dia.	Stroke	Length	Pressure MPa max.	Leak rate by piston max. SL/min	Leak rate by rod max. SL/min	Weight g
L4540.012	24.0	12.5	109.4	0.7	2.2	2.6	172.49
L4540.025	24.0	25.0	121.9	0.7	2.2	2.6	187.81
L4540.037	24.0	37.5	134.4	0.7	2.2	2.6	203.12
L4540.050	24.0	50.0	146.9	0.7	2.2	2.6	218.43
L4540.075	24.0	75.0	171.9	0.7	2.2	2.6	249.06
L4540.100	24.0	100.0	196.9	0.7	2.2	2.6	279.68
L4540.125	24.0	125.0	221.9	0.7	2.2	2.6	310.31
L4540.150	24.0	150.0	246.9	0.7	2.2	2.6	340.93
L4540.175	24.0	175.0	271.9	0.7	2.2	2.6	371.56
L4540.200	24.0	200.0	296.9	0.7	2.2	2.6	402.18
L4540.225	24.0	225.0	321.9	0.7	2.2	2.6	432.81
L4540.250	24.0	250.0	346.9	0.7	2.2	2.6	463.43
L4540.275	24.0	275.0	371.9	0.7	2.2	2.6	494.06
L4540.300	24.0	300.0	396.9	0.7	2.2	2.6	524.68