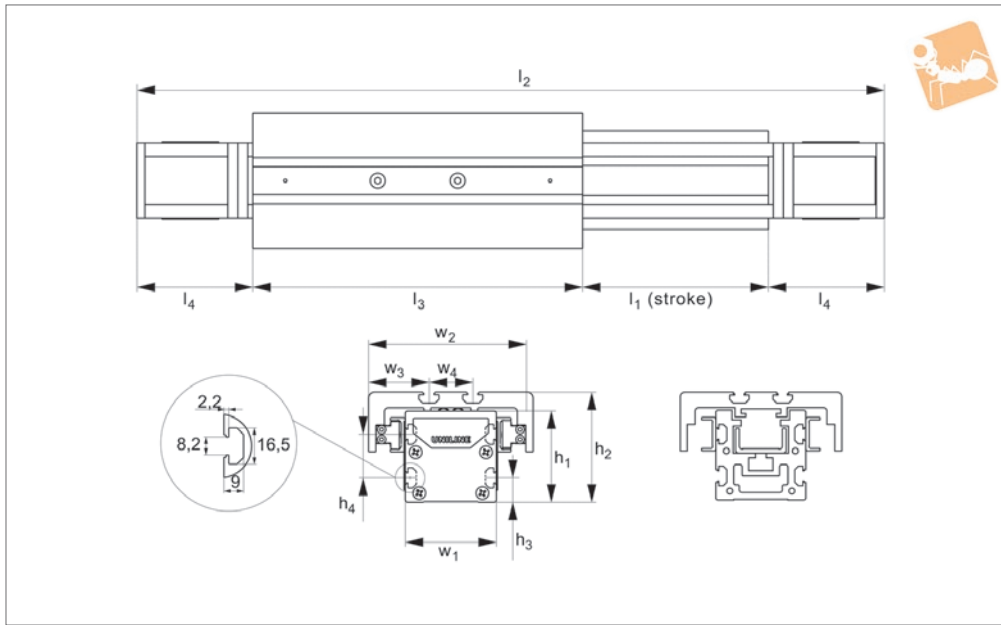
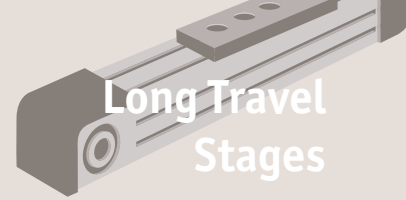




Heavy Duty Belt Driven Unit

size 75



L3004.ED75

LONG TRAVEL STAGES

Material

Special sliders on three hardened steel rails, encased in an aluminium profile.

Technical Notes

Any length overall stroke unit can be supplied (up to 2,9 metres in a single section) for the ED75 series. Longer

strokes available.

Longer carriages and double carriages are available which increase the load capacity of the units.

Tips

See technical pages for more information on belt specification, long carriages,

double carriages and motor connections. Can easily be combined to make an XY, XYZ or other set up gantry system.

Important Notes

For extra rigidity and where significant moment loads are present.

Order No.	l_1	l_2	l_3	l_4	h_1 & w_1	h_2	h_3	h_4	w_2	w_3	w_4	C_{0ax} N	C_{0rad} N	M_x Nm	M_y Nm	M_z Nm
L3004.ED75-0100	100	662	330	116	75	90	20	35	135	49.5	36	8700	5500	400	868	209
L3004.ED75-0200	200	762	330	116	75	90	20	35	135	49.5	36	8700	5500	400	868	209
L3004.ED75-0300	300	862	330	116	75	90	20	35	135	49.5	36	8700	5500	400	868	209
L3004.ED75-0400	400	962	330	116	75	90	20	35	135	49.5	36	8700	5500	400	868	209
L3004.ED75-0500	500	1062	330	116	75	90	20	35	135	49.5	36	8700	5500	400	868	209
L3004.ED75-0600	600	1162	330	116	75	90	20	35	135	49.5	36	8700	5500	400	868	209
L3004.ED75-0700	700	1262	330	116	75	90	20	35	135	49.5	36	8700	5500	400	868	209
L3004.ED75-0800	800	1362	330	116	75	90	20	35	135	49.5	36	8700	5500	400	868	209
L3004.ED75-0900	900	1462	330	116	75	90	20	35	135	49.5	36	8700	5500	400	868	209
L3004.ED75-1000	1000	1562	330	116	75	90	20	35	135	49.5	36	8700	5500	400	868	209
L3004.ED75-1100	1100	1662	330	116	75	90	20	35	135	49.5	36	8700	5500	400	868	209
L3004.ED75-1200	1200	1762	330	116	75	90	20	35	135	49.5	36	8700	5500	400	868	209
L3004.ED75-1300	1300	1862	330	116	75	90	20	35	135	49.5	36	8700	5500	400	868	209
L3004.ED75-1400	1400	1962	330	116	75	90	20	35	135	49.5	36	8700	5500	400	868	209
L3004.ED75-1500	1500	2062	330	116	75	90	20	35	135	49.5	36	8700	5500	400	868	209
L3004.ED75-1600	1600	2162	330	116	75	90	20	35	135	49.5	36	8700	5500	400	868	209
L3004.ED75-1700	1700	2262	330	116	75	90	20	35	135	49.5	36	8700	5500	400	868	209
L3004.ED75-1800	1800	2362	330	116	75	90	20	35	135	49.5	36	8700	5500	400	868	209
L3004.ED75-1900	1900	2462	330	116	75	90	20	35	135	49.5	36	8700	5500	400	868	209
L3004.ED75-2000	2000	2562	330	116	75	90	20	35	135	49.5	36	8700	5500	400	868	209
L3004.ED75-2100	2100	2662	330	160	75	90	20	35	135	49.5	36	8700	5500	400	868	209
L3004.ED75-2200	2200	2762	330	160	75	90	20	35	135	49.5	36	8700	5500	400	868	209
L3004.ED75-2300	2300	2862	330	160	75	90	20	35	135	49.5	36	8700	5500	400	868	209
L3004.ED75-2400	2400	2962	330	160	75	90	20	35	135	49.5	36	8700	5500	400	868	209
L3004.ED75-2500	2500	3062	330	160	75	90	20	35	135	49.5	36	8700	5500	400	868	209
L3004.ED75-2600	2600	3162	330	160	75	90	20	35	135	49.5	36	8700	5500	400	868	209
L3004.ED75-2700	2700	3262	330	160	75	90	20	35	135	49.5	36	8700	5500	400	868	209
L3004.ED75-2800	2800	3362	330	160	75	90	20	35	135	49.5	36	8700	5500	400	868	209
L3004.ED75-2900	2900	3462	330	160	75	90	20	35	135	49.5	36	8700	5500	400	868	209
L3004.ED75-3000	3000	3562	330	160	75	90	20	35	135	49.5	36	8700	5500	400	868	209