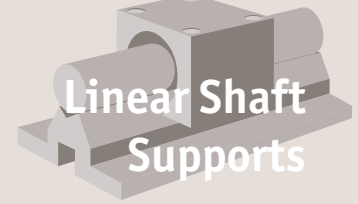


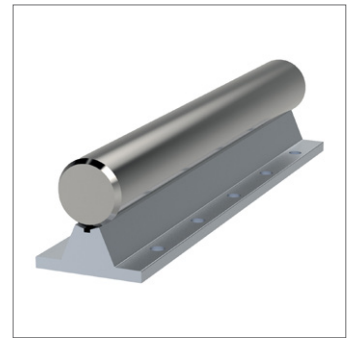
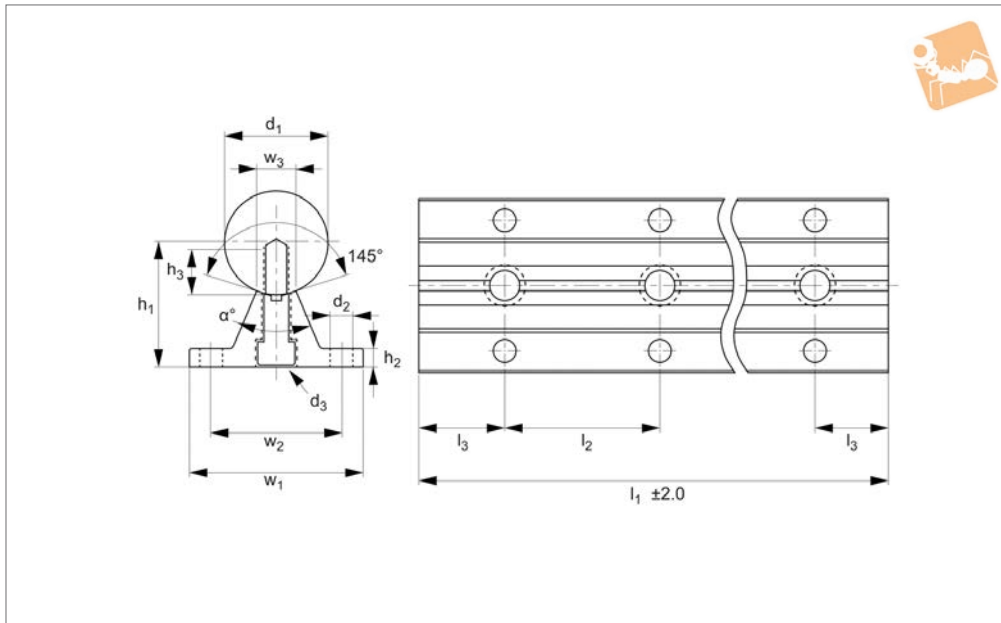


80Ø Shaft Support Rails

complete stainless and aluminium support



Linear Shaft Supports



L1781.80

LINEAR SHAFT SUPPORTS

Material

Hardened and ground stainless steel shaft (440C), aluminium alloy support rail.
Surface hardness of shaft 60-65 HRC.

Technical Notes

For open linear bushings, ensures a very rigid and stiff system.

The shaft is pre-mounted to the shaft support rail.

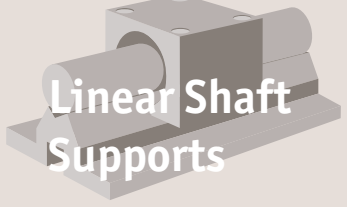
Standard lengths are shown which allow the distance to the first and last hole to be equal (ie $l_3/2$). Different holes pitches available on request.

Straightness: $\pm 0.1\text{mm/metre}$.

Tips

For linear carriages see part no. L1755 (flanged) or L1752 (unflanged).
Stainless steel carriages also available, see part no. L1756 (flanged) or L1753 (unflanged).

Order No.	d_1 tol. h6	d_2	d_3	l_1	l_2	l_3	w_1	w_2	w_3	h_1 ± 0.02	h_2	h_3	α
L1781.80-0600	80	13.5	M16x60	600	300	150	116	92	34	86	12	28	46
L1781.80-0900	80	13.5	M16x60	900	300	150	116	92	34	86	12	28	46
L1781.80-1200	80	13.5	M16x60	1200	300	150	116	92	34	86	12	28	46
L1781.80-1500	80	13.5	M16x60	1500	300	150	116	92	34	86	12	28	46
L1781.80-1800	80	13.5	M16x60	1800	300	150	116	92	34	86	12	28	46
L1781.80-2100	80	13.5	M16x60	2100	300	150	116	92	34	86	12	28	46
L1781.80-2400	80	13.5	M16x60	2400	300	150	116	92	34	86	12	28	46
L1781.80-2700	80	13.5	M16x60	2700	300	150	116	92	34	86	12	28	46
L1781.80-3000	80	13.5	M16x60	3000	300	150	116	92	34	86	12	28	46
L1781.80-3300	80	13.5	M16x60	3300	300	150	116	92	34	86	12	28	46
L1781.80-3600	80	13.5	M16x60	3600	300	150	116	92	34	86	12	28	46
L1781.80-3900	80	13.5	M16x60	3900	300	150	116	92	34	86	12	28	46
L1781.80-4200	80	13.5	M16x60	4200	300	150	116	92	34	86	12	28	46
L1781.80-4500	80	13.5	M16x60	4500	300	150	116	92	34	86	12	28	46
L1781.80-4800	80	13.5	M16x60	4800	300	150	116	92	34	86	12	28	46
L1781.80-5100	80	13.5	M16x60	5100	300	150	116	92	34	86	12	28	46
L1781.80-5400	80	13.5	M16x60	5400	300	150	116	92	34	86	12	28	46
L1781.80-5700	80	13.5	M16x60	5700	300	150	116	92	34	86	12	28	46
L1781.80-6000	80	13.5	M16x60	6000	300	150	116	92	34	86	12	28	46



Linear Shaft Supports

80Ø Shaft Support Rails
complete stainless and aluminium support



LINEAR SHAFT SUPPORTS

