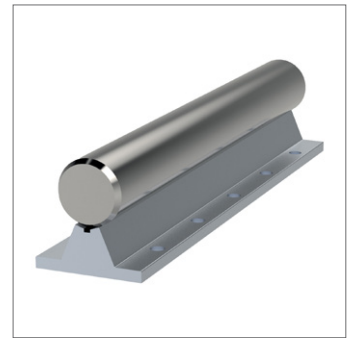
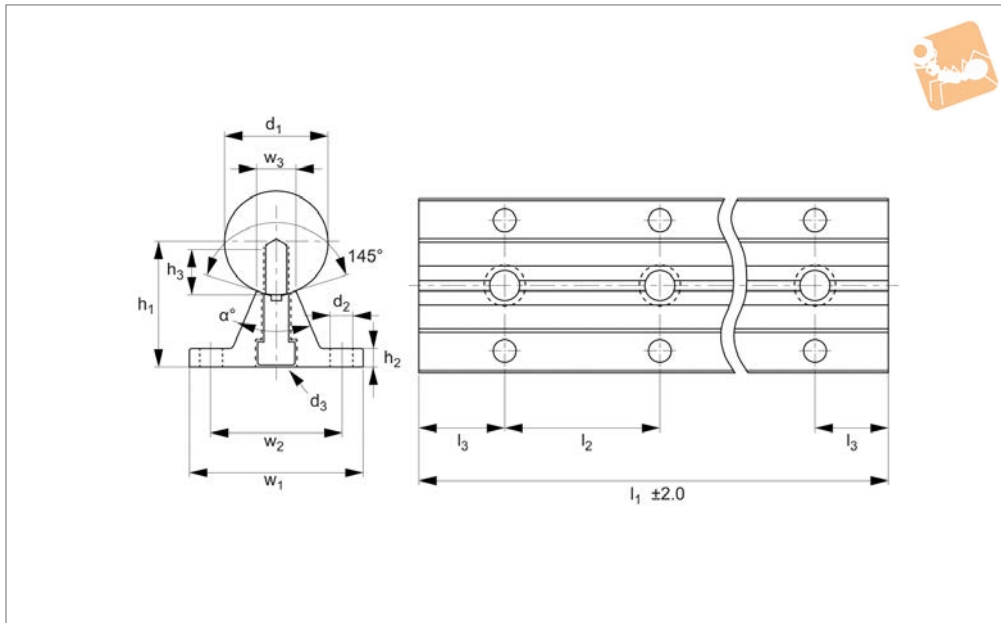




25Ø Shaft Support Rails

complete stainless and aluminium support



L1781.25

LINEAR SHAFT SUPPORTS

Material

Hardened and ground stainless steel shaft (440C), aluminium alloy support rail. Surface hardness of shaft 60-65 HRC.

Technical Notes

For open linear bushings, ensures a very rigid and stiff system.

The shaft is pre-mounted to the shaft support rail.

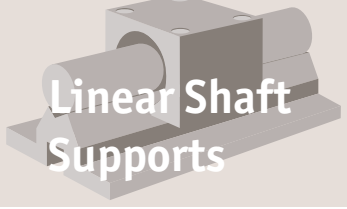
Standard lengths are shown which allow the distance to the first and last hole to be equal (ie $l_2/2$). Different holes pitches available on request.

Straightness: $\pm 0.1\text{mm/metre}$.

Tips

For linear carriages see part no. L1755 (flanged) or L1752 (unflanged). Stainless steel carriages also available, see part no. L1756 (flanged) or L1753 (unflanged).

Order No.	d_1 tol. h6	d_2	d_3	l_1	l_2	l_3	w_1	w_2	w_3	h_1 ± 0.02	h_2	h_3	α
L1781.25-0400	25	6.6	M8x30	400	200	100	57	42	10.8	36	6	15	50
L1781.25-0600	25	6.6	M8x30	600	200	100	57	42	10.8	36	6	15	50
L1781.25-0800	25	6.6	M8x30	800	200	100	57	42	10.8	36	6	15	50
L1781.25-1000	25	6.6	M8x30	1000	200	100	57	42	10.8	36	6	15	50
L1781.25-1200	25	6.6	M8x30	1200	200	100	57	42	10.8	36	6	15	50
L1781.25-1400	25	6.6	M8x30	1400	200	100	57	42	10.8	36	6	15	50
L1781.25-1600	25	6.6	M8x30	1600	200	100	57	42	10.8	36	6	15	50
L1781.25-1800	25	6.6	M8x30	1800	200	100	57	42	10.8	36	6	15	50
L1781.25-2000	25	6.6	M8x30	2000	200	100	57	42	10.8	36	6	15	50
L1781.25-2200	25	6.6	M8x30	2200	200	100	57	42	10.8	36	6	15	50
L1781.25-2400	25	6.6	M8x30	2400	200	100	57	42	10.8	36	6	15	50
L1781.25-2600	25	6.6	M8x30	2600	200	100	57	42	10.8	36	6	15	50
L1781.25-2800	25	6.6	M8x30	2800	200	100	57	42	10.8	36	6	15	50
L1781.25-3000	25	6.6	M8x30	3000	200	100	57	42	10.8	36	6	15	50
L1781.25-3200	25	6.6	M8x30	3200	200	100	57	42	10.8	36	6	15	50
L1781.25-3400	25	6.6	M8x30	3400	200	100	57	42	10.8	36	6	15	50
L1781.25-3600	25	6.6	M8x30	3600	200	100	57	42	10.8	36	6	15	50
L1781.25-3800	25	6.6	M8x30	3800	200	100	57	42	10.8	36	6	15	50
L1781.25-4000	25	6.6	M8x30	4000	200	100	57	42	10.8	36	6	15	50
L1781.25-4200	25	6.6	M8x30	4200	200	100	57	42	10.8	36	6	15	50
L1781.25-4400	25	6.6	M8x30	4400	200	100	57	42	10.8	36	6	15	50
L1781.25-4600	25	6.6	M8x30	4600	200	100	57	42	10.8	36	6	15	50
L1781.25-4800	25	6.6	M8x30	4800	200	100	57	42	10.8	36	6	15	50
L1781.25-5000	25	6.6	M8x30	5000	200	100	57	42	10.8	36	6	15	50
L1781.25-5200	25	6.6	M8x30	5200	200	100	57	42	10.8	36	6	15	50
L1781.25-5400	25	6.6	M8x30	5400	200	100	57	42	10.8	36	6	15	50
L1781.25-5600	25	6.6	M8x30	5600	200	100	57	42	10.8	36	6	15	50
L1781.25-5800	25	6.6	M8x30	5800	200	100	57	42	10.8	36	6	15	50
L1781.25-6000	25	6.6	M8x30	6000	200	100	57	42	10.8	36	6	15	50



Linear Shaft Supports

25Ø Shaft Support Rails
complete stainless and aluminium support



LINEAR SHAFT SUPPORTS

