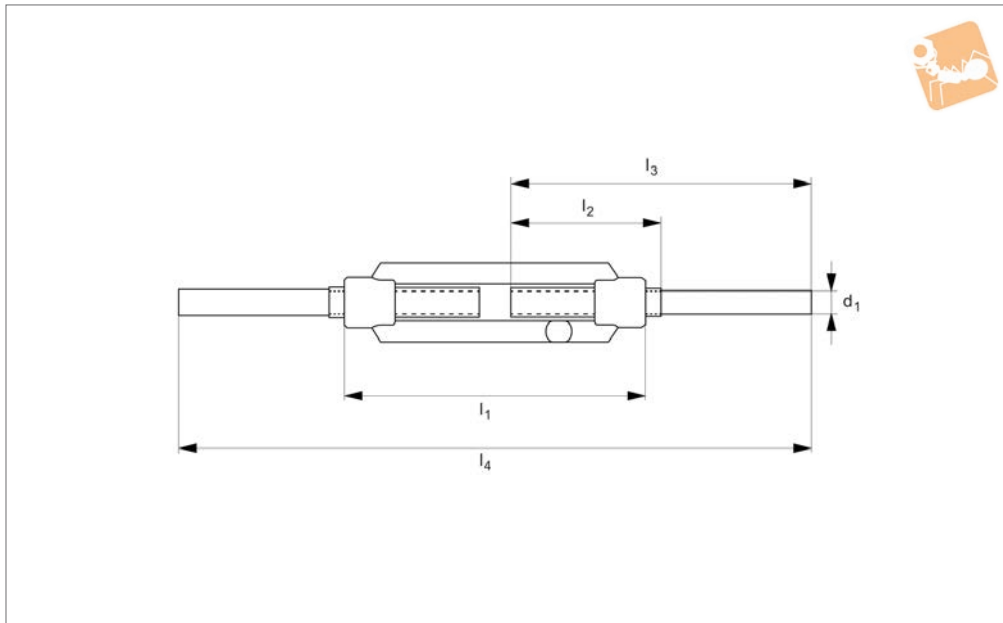
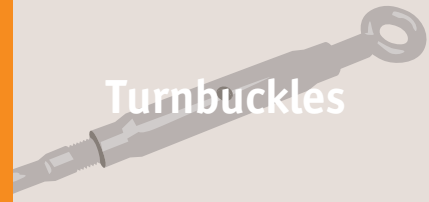


Stub End Turnbuckles

stainless steel

Turnbuckles



R3836

TURNBUCKLES

Material

Stainless steel (A4).

Technical Notes

To DIN 1480 stub end.

Tips

Turnbuckles consist of a metal frame with

right hand thread one end and left hand thread the other end. Used for tensioning by rotating turnbuckle body without twisting attached rope or cable.

Only suitable for use in tension.

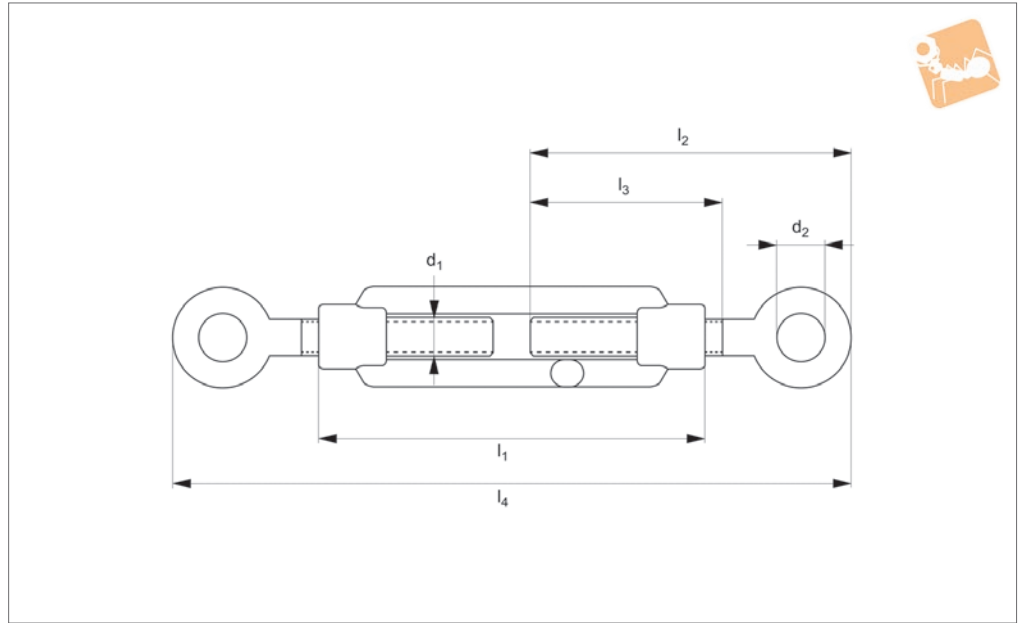
Important Notes

Turnbuckles are not to be used for lifting.

Order No.	d ₁	l ₁	l ₂	l ₃	l ₄ min.	l ₄ max.	Weight kg
R3836.006-A4	M 6	110	60	120	240	320	0.10
R3836.008-A4	M 8	110	65	120	240	315	0.16
R3836.010-A4	M10	125	75	150	301	386	0.30
R3836.012-A4	M12	125	75	150	301	381	0.40
R3836.016-A4	M16	170	100	200	400	510	0.96
R3836.020-A4	M20	200	120	220	440	570	1.74
R3836.024-A4	M24	255	150	260	521	691	2.74



R3842



Material
Stainless steel (A4).

Technical Notes
To DIN 1480 eye to eye.

Tips
Turnbuckles consist of a metal frame with

right hand thread one end and left hand thread the other end. Used for tensioning by rotating turnbuckle body without twisting attached rope or cable.

Only suitable for use in tension.

Important Notes
Turnbuckles are not to be used for lifting.

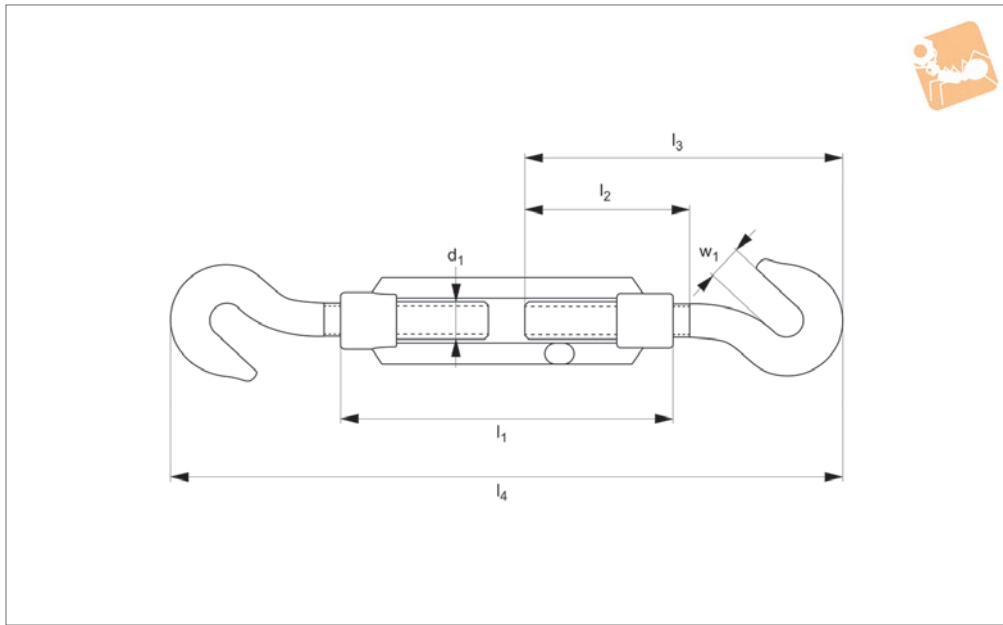
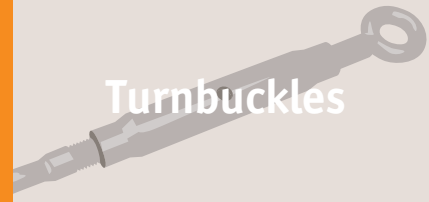
Order No.	d ₁	d ₂	l ₁	l ₂	l ₃	l ₄ min.	l ₄ max.	Weight kg
R3842.006-A4	M 6	10	110	74	50	148	228	0.09
R3842.008-A4	M 8	11	110	80	52	160	235	0.14
R3842.010-A4	M10	15	125	95	59	191	276	0.25
R3842.012-A4	M12	17	125	107	66	215	295	0.37
R3842.016-A4	M16	22	170	146	85	292	402	0.90
R3842.020-A4	M20	24	200	170	100	340	470	1.62



Hook End Turnbuckles

stainless steel

Turnbuckles



R3846

TURNBUCKLES

Material

Stainless steel (A4).

Technical Notes

To DIN 1480 hook to hook.

Tips

Turnbuckles consist of a metal frame with

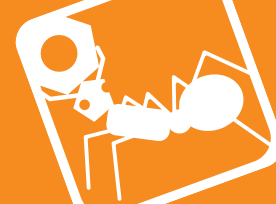
right hand thread one end and left hand thread the other end. Used for tensioning by rotating turnbuckle body without twisting attached rope or cable.

Only suitable for use in tension.

Important Notes

Turnbuckles are not to be used for lifting.

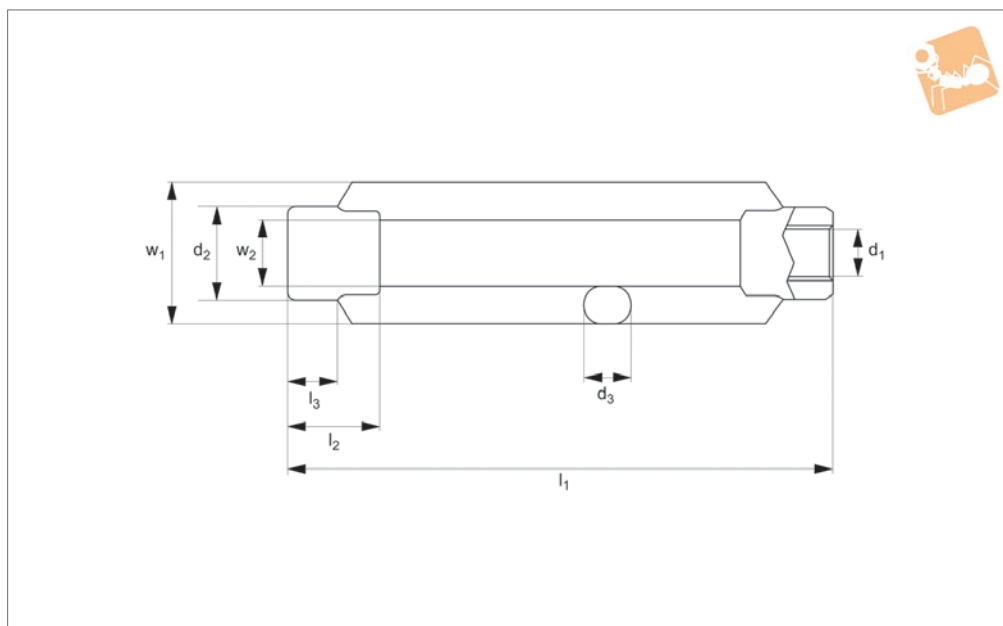
Order No.	d ₁	l ₁	l ₂	l ₃	l ₄ min.	l ₄ max.	w ₁	Weight kg
R3846.006-A4	M 6	110	50	77.0	154	234	8.0	0.09
R3846.008-A4	M 8	110	60	98.0	196	271	10.0	0.16
R3846.010-A4	M10	125	73	116.5	233	318	12.5	0.27
R3846.012-A4	M12	125	90	146.0	293	373	16.0	0.42
R3846.016-A4	M16	170	100	165.0	330	440	16.0	1.00



TURNBUCKLES



R3832



Material
Stainless steel (A4).

Technical Notes
To DIN 1480.

Tips
Turnbuckles consist of a metal frame with

right hand thread one end and left hand thread the other end. Used for tensioning by rotating turnbuckle body without twisting attached rope or cable.

Only suitable for use in tension.

Important Notes
Turnbuckles are not to be used for lifting.

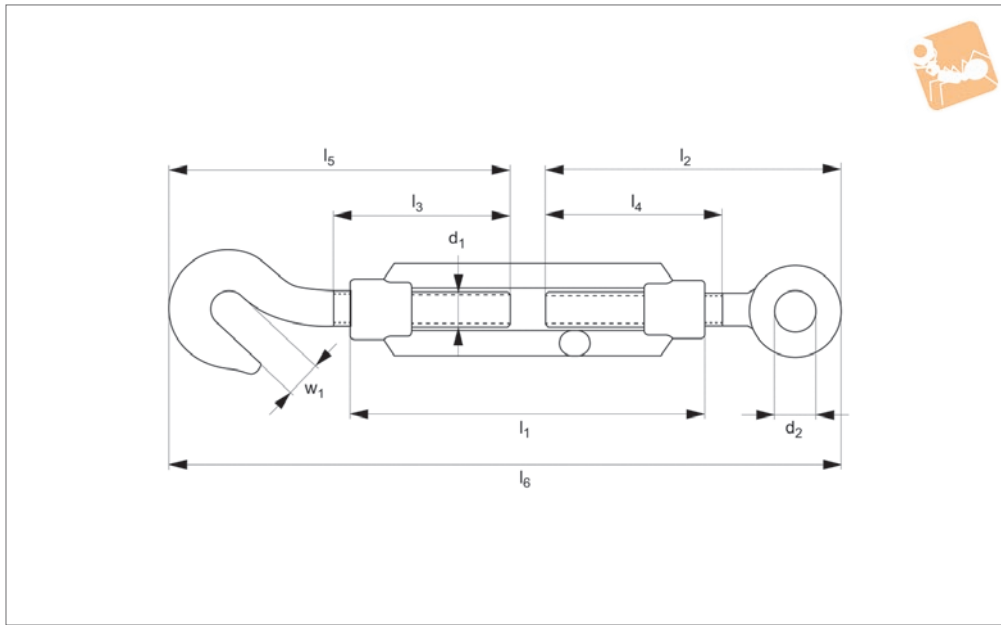
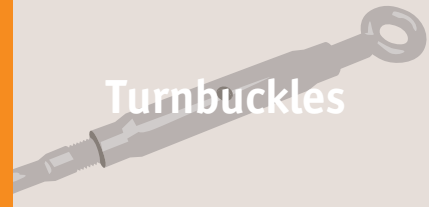
Order No.	d ₁	d ₂	d ₃	l ₁	l ₂	l ₃	w ₁	w ₂	Adjustment	Weight kg
R3832.050-070-A4	M 5	-	-	70	-	-	-	-	-	-
R3832.060-110-A4	M 6	12	6	110	12	6	19	9	80	0.06
R3832.060-090-A4	M 6	8	6	90	12	6	19	9	80	0.06
R3832.080-110-A4	M 8	15	8	110	15	8	23	11	75	0.09
R3832.100-125-A4	M10	18	9	125	18	9	30	14	85	0.15
R3832.100-150-A4	M10	16	9	150	18	9	30	14	85	0.15
R3832.120-125-A4	M12	21	11	125	21	11	34	16	80	0.20
R3832.120-200-A4	M12	18	11	200	21	11	34	16	80	0.20
R3832.160-170-A4	M16	27	14	170	27	14	42	20	110	0.44
R3832.160-250-A4	M16	26	14	250	27	14	42	20	110	0.44
R3832.200-200-A4	M20	34	17	200	34	17	52	24	130	0.44
R3832.200-300-A4	M20	30	17	300	34	17	52	24	130	0.44
R3832.240-255-A4	M24	39	20	255	39	20	60	28	170	1.20



Hook & Eye Turnbuckles

stainless steel

Turnbuckles



R3852

TURNBUCKLES

Material

Stainless steel (A4).

Technical Notes

To DIN 1480 hook & eye.

Tips

Turnbuckles consist of a metal frame with

right hand thread one end and left hand thread the other end. Used for tensioning by rotating turnbuckle body without twisting attached rope or cable.

Only suitable for use in tension.

Important Notes

Turnbuckles are not to be used for lifting.

Order No.	d ₁	d ₂	l ₁	l ₂	l ₃	l ₄	l ₅	l ₆ min.	w ₁	Weight kg
R3852.006-A4	M 6	10	110	74	50	50	77.0	151	8.0	0.09
R3852.008-A4	M 8	11	110	80	52	60	98.0	178	10.0	0.15
R3852.010-A4	M10	15	125	95	59	73	116.5	212	12.5	0.26
R3852.012-A4	M12	17	125	107	66	90	146.0	264	16.0	0.40
R3852.016-A4	M16	22	170	146	85	100	165.0	311	16.0	0.95