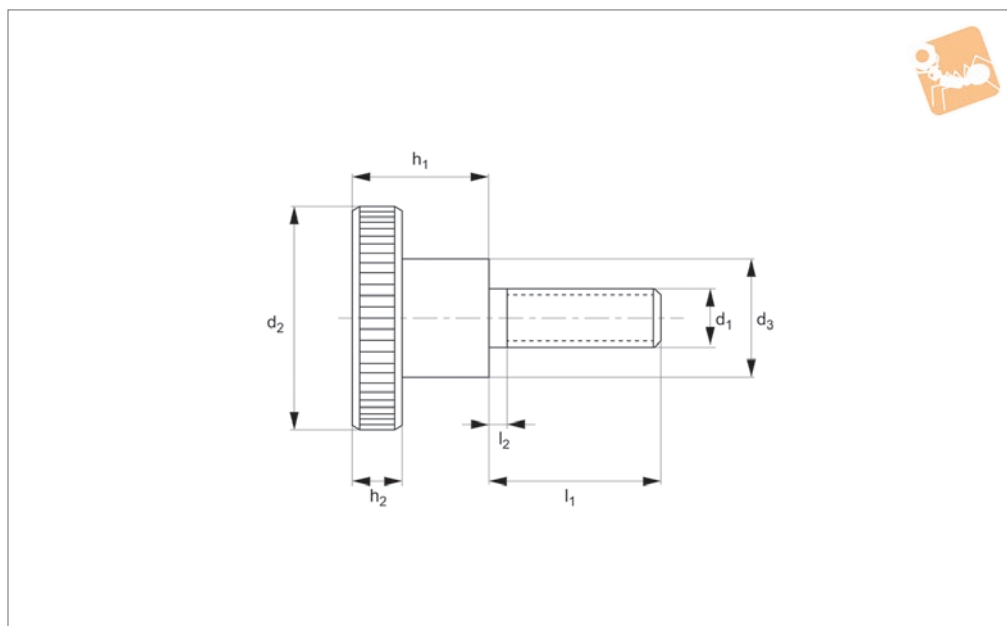
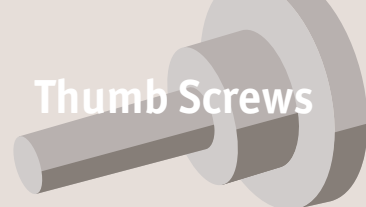


Knurled Thumb Screws

A4 stainless

Thumb Screws



P0400.A4

THUMB SCREWS

Material

Stainless steel (A4, AISI 316).

Technical Notes

To DIN 464, all knurled screws are one-piece manufactured, contrary to the offi-

cial standard sheet, they all have a thread up to the head, as shown, but no recess at the thread end.

Tips

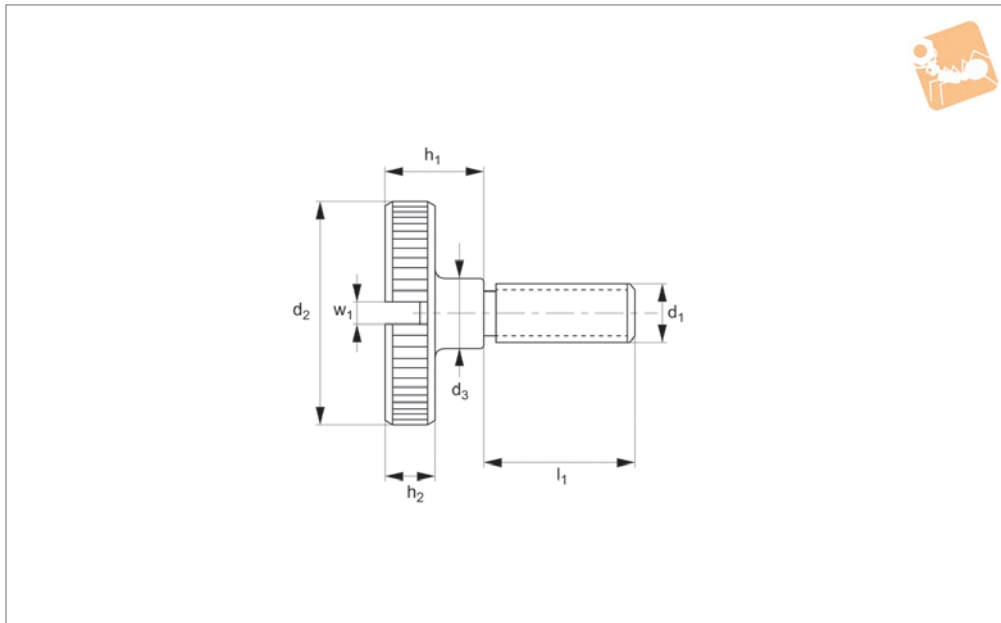
A4 (AISI 316) stainless steel is typically

used in food, pharmaceutical and similar applications requiring a degree of corrosion protection.

Order No.	d ₁	l ₁	d ₂	d ₃	h ₁	h ₂	l ₂
P0400.030-005-A4	M 3	6	12	6	7.5	2.5	2
P0400.030-006-A4	M 3	6	12	6	7.5	2.5	2
P0400.030-008-A4	M 3	8	12	6	7.5	2.5	2
P0400.030-010-A4	M 3	10	12	6	7.5	2.5	2
P0400.030-012-A4	M 3	12	12	6	7.5	2.5	2
P0400.030-016-A4	M 3	16	12	6	7.5	2.5	2
P0400.040-005-A4	M 4	5	16	8	9.5	3.5	2
P0400.040-006-A4	M 4	6	16	8	9.5	3.5	2
P0400.040-008-A4	M 4	8	16	8	9.5	3.5	2
P0400.040-010-A4	M 4	10	16	8	9.5	3.5	2
P0400.040-012-A4	M 4	12	16	8	9.5	3.5	2
P0400.040-016-A4	M 4	16	16	8	9.5	3.5	2
P0400.040-020-A4	M 4	20	16	8	9.5	3.5	2
P0400.040-025-A4	M 4	25	16	8	9.5	3.5	2
P0400.050-010-A4	M 5	10	20	10	11.5	4.0	2
P0400.050-012-A4	M 5	12	20	10	11.5	4.0	2
P0400.050-016-A4	M 5	16	20	10	11.5	4.0	2
P0400.050-020-A4	M 5	20	20	10	11.5	4.0	2
P0400.050-025-A4	M 5	25	20	10	11.5	4.0	2
P0400.050-030-A4	M 5	30	20	10	11.5	4.0	2
P0400.060-008-A4	M 6	8	24	12	15.0	5.0	2
P0400.060-010-A4	M 6	10	24	12	15.0	5.0	2
P0400.060-012-A4	M 6	12	24	12	15.0	5.0	2
P0400.060-016-A4	M 6	16	24	12	15.0	5.0	2
P0400.060-020-A4	M 6	20	24	12	15.0	5.0	2
P0400.060-025-A4	M 6	25	24	12	15.0	5.0	2
P0400.060-030-A4	M 6	30	24	12	15.0	5.0	2
P0400.080-012-A4	M 8	12	30	16	18.0	6.0	2
P0400.080-016-A4	M 8	16	30	16	18.0	6.0	2
P0400.080-020-A4	M 8	20	30	16	18.0	6.0	2
P0400.080-025-A4	M 8	25	30	16	18.0	6.0	2
P0400.080-030-A4	M 8	30	30	16	18.0	6.0	2
P0400.100-016-A4	M10	16	36	20	23.0	8.0	2



Order No.	d ₁	l ₁	d ₂	d ₃	h ₁	h ₂	l ₂
P0400.100-020-A4	M10	20	36	20	23.0	8.0	2
P0400.100-025-A4	M10	25	36	20	23.0	8.0	2
P0400.100-030-A4	M10	30	36	20	23.0	8.0	2



P0404

THUMB SCREWS

Material

Stainless steel (A2, AISI 303).

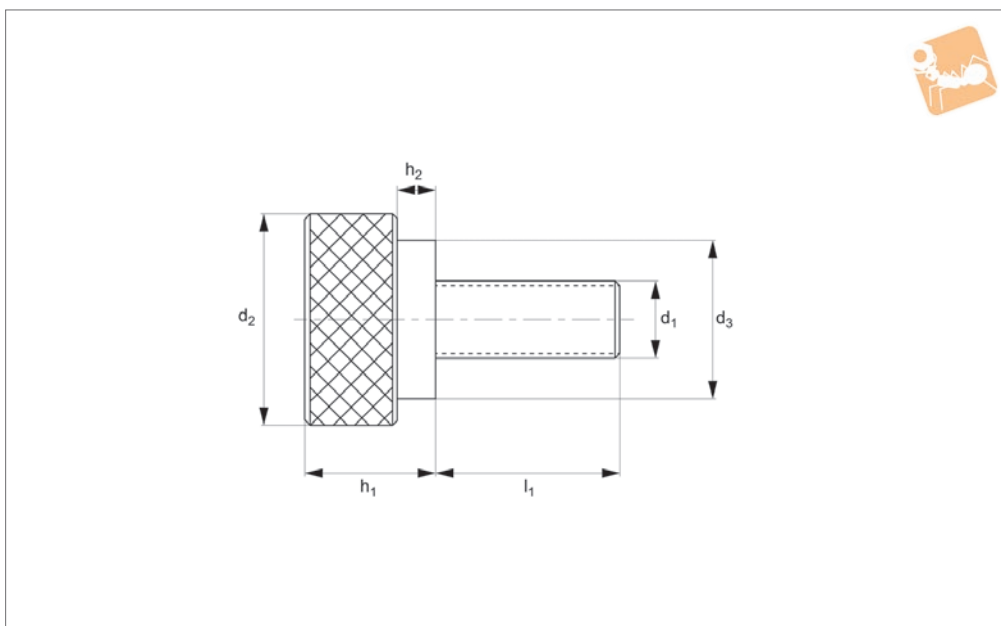
Technical Notes

To DIN 465, with slot.

Order No.	d ₁	l ₁	d ₂	d ₃	h ₁	h ₂	w ₁	Material
P0404.030-006-A2	M3	6	12	6	7.5	2.5	0.8	A2 s/s
P0404.030-008-A2	M3	8	12	6	7.5	2.5	0.8	A2 s/s
P0404.030-010-A2	M3	10	12	6	7.5	2.5	0.8	A2 s/s
P0404.030-012-A2	M3	12	12	6	7.5	2.5	0.8	A2 s/s
P0404.030-016-A2	M3	16	12	6	7.5	2.5	0.8	A2 s/s
P0404.030-020-A2	M3	20	12	6	7.5	2.5	0.8	A2 s/s
P0404.040-006-A2	M4	6	16	8	9.5	3.5	1.0	A2 s/s
P0404.040-008-A2	M4	8	16	8	9.5	3.5	1.0	A2 s/s
P0404.040-010-A2	M4	10	16	8	9.5	3.5	1.0	A2 s/s
P0404.040-012-A2	M4	12	16	8	9.5	3.5	1.0	A2 s/s
P0404.040-016-A2	M4	16	16	8	9.5	3.5	1.0	A2 s/s
P0404.040-020-A2	M4	20	16	8	9.5	3.5	1.0	A2 s/s
P0404.050-006-A2	M5	6	20	10	11.5	4.0	1.2	A2 s/s
P0404.050-008-A2	M5	8	20	10	11.5	4.0	1.2	A2 s/s
P0404.050-010-A2	M5	10	20	10	11.5	4.0	1.2	A2 s/s
P0404.050-012-A2	M5	12	20	10	11.5	4.0	1.2	A2 s/s
P0404.050-016-A2	M5	16	20	10	11.5	4.0	1.2	A2 s/s
P0404.050-020-A2	M5	20	20	10	11.5	4.0	1.2	A2 s/s
P0404.060-010-A2	M6	10	24	12	15.0	5.0	1.6	A2 s/s
P0404.060-012-A2	M6	12	24	12	15.0	5.0	1.6	A2 s/s
P0404.060-016-A2	M6	16	24	12	15.0	5.0	1.6	A2 s/s
P0404.060-020-A2	M6	20	24	12	15.0	5.0	1.6	A2 s/s



P0438.A2



Material

Stainless steel (AISI 303 series 1.4305).

steel which may (in harsh conditions) exhibit slight signs of rusting. Typically used in food and pharmaceutical applications.

Technical Notes

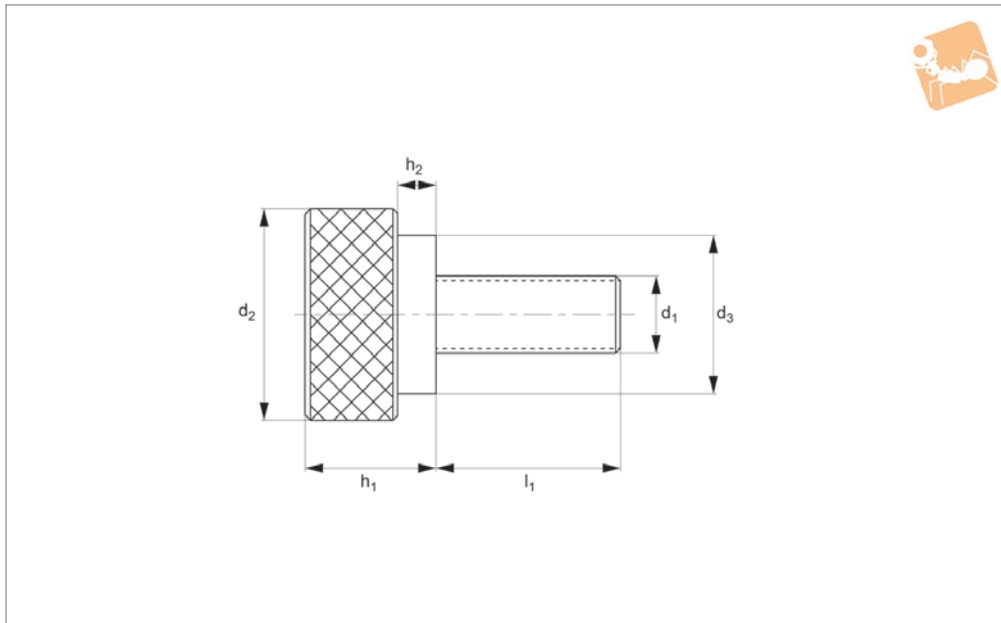
Stainless steel AISI 303 is a hard stainless

Order No.	d ₁	l ₁	d ₂	d ₃	h ₁	h ₂
P0438.030-008-A2	M 3	8	10	6.5	8	2.5
P0438.030-010-A2	M 3	10	10	6.5	8	2.5
P0438.030-012-A2	M 3	12	10	6.5	8	2.5
P0438.030-014-A2	M 3	14	10	6.5	8	2.5
P0438.040-008-A2	M 4	8	12	9.5	8	2.5
P0438.040-010-A2	M 4	10	12	9.5	8	2.5
P0438.040-012-A2	M 4	12	12	9.5	8	2.5
P0438.040-014-A2	M 4	14	12	9.5	8	2.5
P0438.050-010-A2	M 5	10	12	9.5	8	2.5
P0438.050-012-A2	M 5	12	12	9.5	8	2.5
P0438.050-014-A2	M 5	14	12	9.5	8	2.5
P0438.050-016-A2	M 5	16	12	9.5	8	2.5
P0438.060-010-A2	M 6	10	14	9.5	10	3.5
P0438.060-012-A2	M 6	12	14	9.5	10	3.5
P0438.060-016-A2	M 6	16	14	9.5	10	3.5
P0438.060-020-A2	M 6	20	14	9.5	10	3.5



Thumb Screws with Collar

stainless 316 series



P0438.A4

THUMB SCREWS

Material

Stainless steel (AISI 316 series 1.440).

Technical Notes

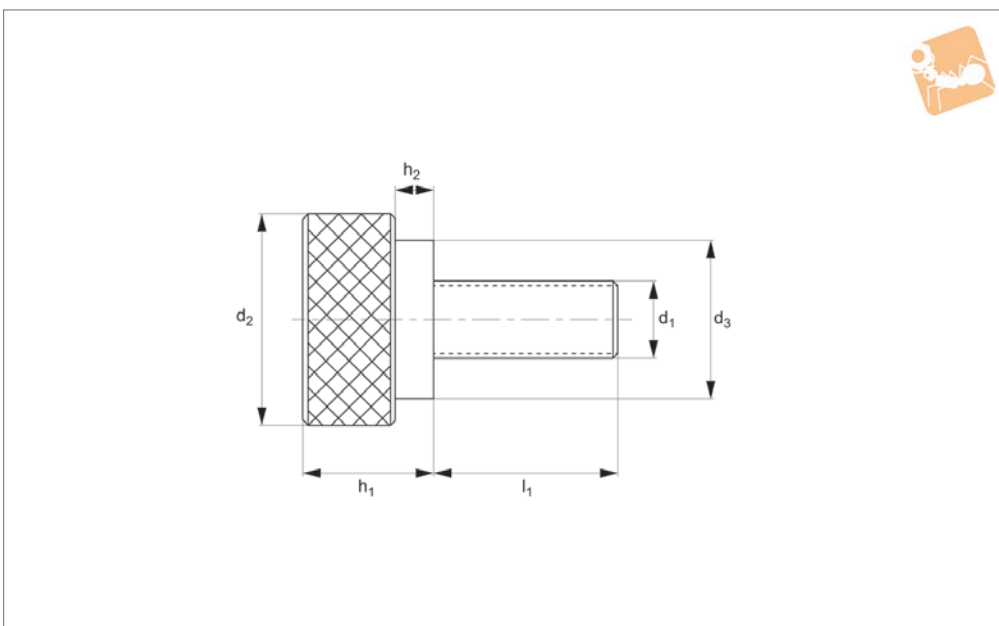
Stainless steel AISI 316 is a softer stainless

steel, of a higher grade. Very resistant to corrosion - even in extremely harsh conditions (such as salt, water etc.) but more expensive.

Order No.	d ₁	l ₁	d ₂	d ₃	h ₁	h ₂
P0438.030-008-A4	M 3	8	10	6.5	8	2.5
P0438.030-010-A4	M 3	10	10	6.5	8	2.5
P0438.030-012-A4	M 3	12	10	6.5	8	2.5
P0438.030-014-A4	M 3	14	10	6.5	8	2.5
P0438.040-008-A4	M 4	8	12	9.5	8	2.5
P0438.040-010-A4	M 4	10	12	9.5	8	2.5
P0438.040-012-A4	M 4	12	12	9.5	8	2.5
P0438.040-014-A4	M 4	14	12	9.5	8	2.5
P0438.050-010-A4	M 5	10	12	9.5	8	2.5
P0438.050-012-A4	M 5	12	12	9.5	8	2.5
P0438.050-014-A4	M 5	14	12	9.5	8	2.5
P0438.050-016-A4	M 5	16	12	9.5	8	2.5
P0438.060-010-A4	M 6	10	14	9.5	10	3.5
P0438.060-012-A4	M 6	12	14	9.5	10	3.5
P0438.060-016-A4	M 6	16	14	9.5	10	3.5
P0438.060-020-A4	M 6	20	14	9.5	10	3.5



P0438.B2



Material

Stainless steel (AISI 303 series 1.4305), black oxide coating.

steel which may (in harsh conditions) exhibit slight signs of rusting. Typically used in food and pharmaceutical applications.

Technical Notes

Stainless steel AISI 303 is a hard stainless

Order No.	d ₁	l ₁	d ₂	d ₃	h ₁	h ₂
P0438.030-008-B2	M 3	8	10	6.5	8	2.5
P0438.030-010-B2	M 3	10	10	6.5	8	2.5
P0438.030-012-B2	M 3	12	10	6.5	8	2.5
P0438.030-014-B2	M 3	14	10	6.5	8	2.5
P0438.040-008-B2	M 4	8	12	9.5	8	2.5
P0438.040-010-B2	M 4	10	12	9.5	8	2.5
P0438.040-012-B2	M 4	12	12	9.5	8	2.5
P0438.040-014-B2	M 4	14	12	9.5	8	2.5
P0438.050-010-B2	M 5	10	12	9.5	8	2.5
P0438.050-012-B2	M 5	12	12	9.5	8	2.5
P0438.050-014-B2	M 5	14	12	9.5	8	2.5
P0438.050-016-B2	M 5	16	12	9.5	8	2.5
P0438.060-010-B2	M 6	10	14	9.5	10	3.5
P0438.060-012-B2	M 6	12	14	9.5	10	3.5
P0438.060-016-B2	M 6	16	14	9.5	10	3.5
P0438.060-020-B2	M 6	20	14	9.5	10	3.5

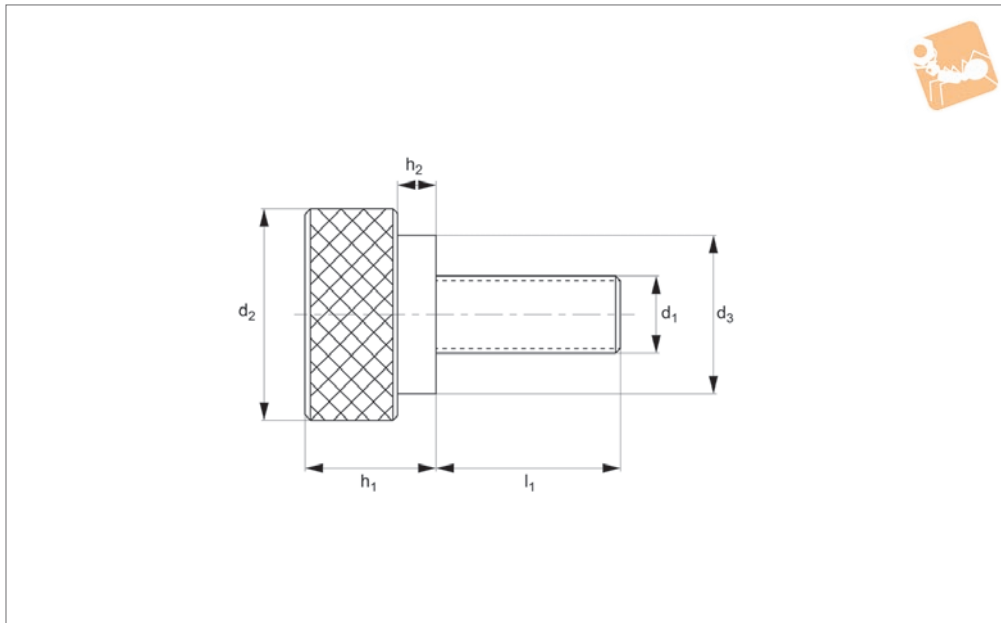


Thumb Screws with Collar

stainless 316 series, blackened



Thumb Screws



P0438.B4

THUMB SCREWS

Material

Stainless steel (AISI 316 series 1.440), black oxide coating.

steel, of a higher grade. Very resistant to corrosion - even in extremely harsh conditions (such as salt, water etc.) but more expensive.

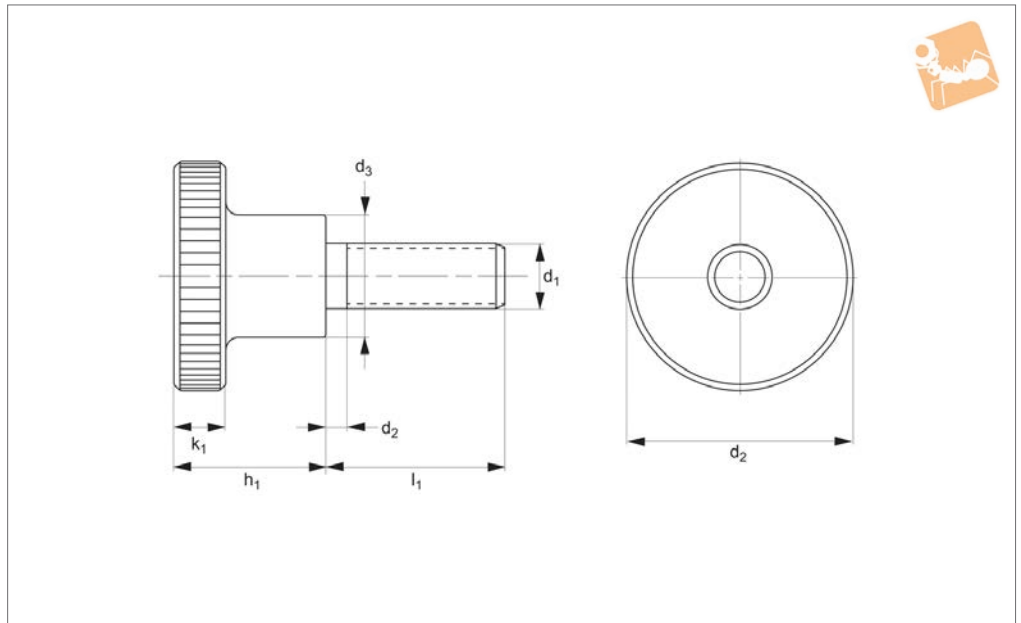
Technical Notes

Stainless steel AISI 316 is a softer stainless

Order No.	d_1	l_1	d_2	d_3	h_1	h_2
P0438.030-008-B4	M 3	8	10	6.5	8	2.5
P0438.030-010-B4	M 3	10	10	6.5	8	2.5
P0438.030-012-B4	M 3	12	10	6.5	8	2.5
P0438.030-014-B4	M 3	14	10	6.5	8	2.5
P0438.040-008-B4	M 4	8	12	9.5	8	2.5
P0438.040-010-B4	M 4	10	12	9.5	8	2.5
P0438.040-012-B4	M 4	12	12	9.5	8	2.5
P0438.040-014-B4	M 4	14	12	9.5	8	2.5
P0438.050-010-B4	M 5	10	12	9.5	8	2.5
P0438.050-012-B4	M 5	12	12	9.5	8	2.5
P0438.050-014-B4	M 5	14	12	9.5	8	2.5
P0438.050-016-B4	M 5	16	12	9.5	8	2.5
P0438.060-010-B4	M 6	10	14	9.5	10	3.5
P0438.060-012-B4	M 6	12	14	9.5	10	3.5
P0438.060-016-B4	M 6	16	14	9.5	10	3.5
P0438.060-020-B4	M 6	20	14	9.5	10	3.5



P0400.A2



Material

Stainless steel 1.4305 (AISI 303), matte, shot-blasted.

Technical Notes

All knurled screws are one-piece manufac-

tured. Contrary to the Official Standard Sheet, they all have a thread up to the head, as shown, but no recess at the thread end.

Order No.	d ₁	d ₂	d ₃	h ₁	k ₁	l ₁	Weight g
P0400.040-008-A2	M 4	16	8	9.5	3.5	8	7.9
P0400.040-010-A2	M 4	16	8	9.5	3.5	10	8.1
P0400.040-012-A2	M 4	16	8	9.5	3.5	12	8.3
P0400.040-016-A2	M 4	16	8	9.5	3.5	16	8.4
P0400.050-010-A2	M 5	20	10	11.5	4.0	10	15.0
P0400.050-012-A2	M 5	20	10	11.5	4.0	12	15.0
P0400.050-016-A2	M 5	20	10	11.5	4.0	16	16.0
P0400.050-020-A2	M 5	20	10	11.5	4.0	20	16.0
P0400.050-025-A2	M 5	20	10	11.5	4.0	25	17.0
P0400.060-012-A2	M 6	24	12	15.0	5.0	12	28.0
P0400.060-016-A2	M 6	24	12	15.0	5.0	16	28.0
P0400.060-020-A2	M 6	24	12	15.0	5.0	20	29.0
P0400.060-025-A2	M 6	24	12	15.0	5.0	25	30.0
P0400.060-030-A2	M 6	24	12	15.0	5.0	30	31.0
P0400.080-020-A2	M 8	30	16	18.0	6.0	20	56.0
P0400.080-025-A2	M 8	30	16	18.0	6.0	25	58.0
P0400.080-030-A2	M 8	30	16	18.0	6.0	30	60.0