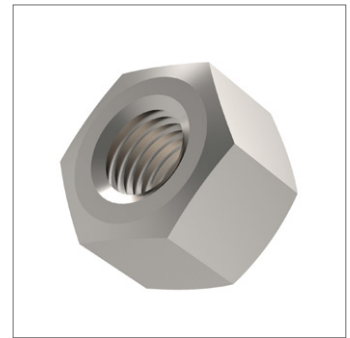
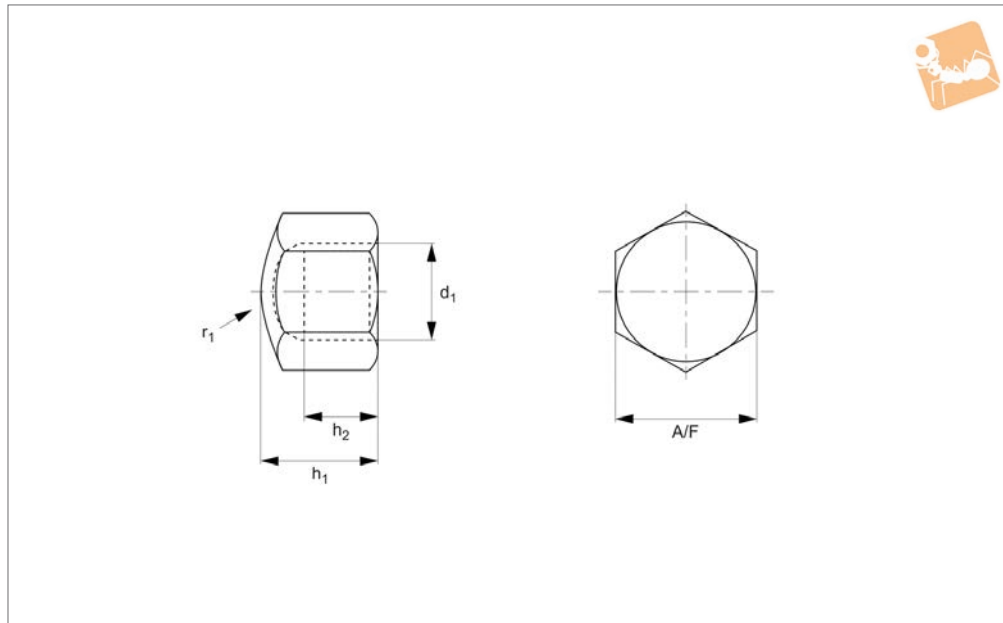




Hexagon Cap Nuts

A2 stainless



P0317.A2

NUTS

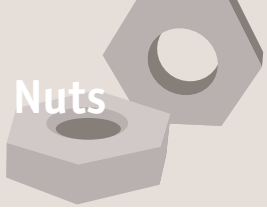
Material

Stainless steel (A2).

Technical Notes

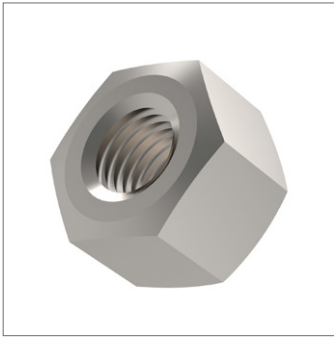
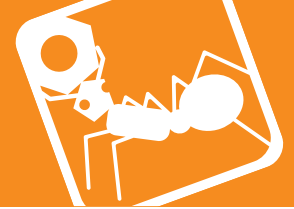
To DIN 917.

Order No.	d ₁	h ₁	h ₂ min.	A/F	r ₁	Material
P0317.030-A2	M 3	5	3	5.5	-	A2 s/s
P0317.040-A2	M 4	5.5	4.4	7	8	A2 s/s
P0317.050-A2	M 5	7	5.2	8	10	A2 s/s
P0317.060-A2	M 6	9	7	10	12	A2 s/s
P0317.080-A2	M 8	12	9.5	13	15	A2 s/s
P0317.100-A2	M10	14	11	17	20	A2 s/s
P0317.120-A2	M12	16	13.5	19	25	A2 s/s
P0317.140-A2	M14	18	15	22	28	A2 s/s
P0317.160-A2	M16	20	17	24	30	A2 s/s
P0317.180-A2	M18	22	19	27	32	A2 s/s
P0317.200-A2	M20	25	21	30	35	A2 s/s
P0317.220-A2	M22	28	22	32	35	A2 s/s
P0317.240-A2	M24	30	24	36	40	A2 s/s
P0317.270-A2	M27	32	26	41	50	A2 s/s
P0317.300-A2	M30	34	28	46	60	A2 s/s

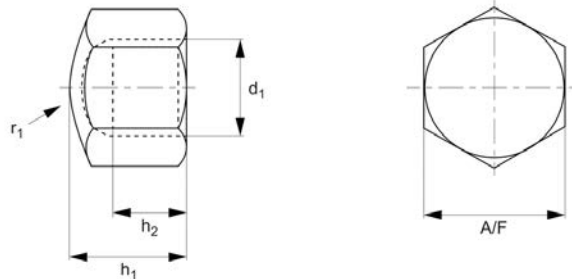


Hexagon Cap Nuts

A4 stainless



P0317.A4



Material

Stainless steel (A4).

Technical Notes

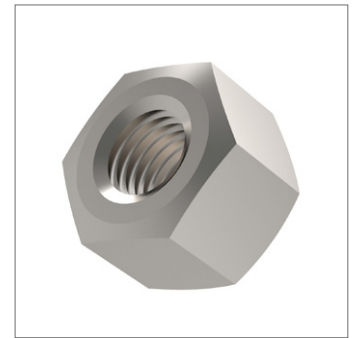
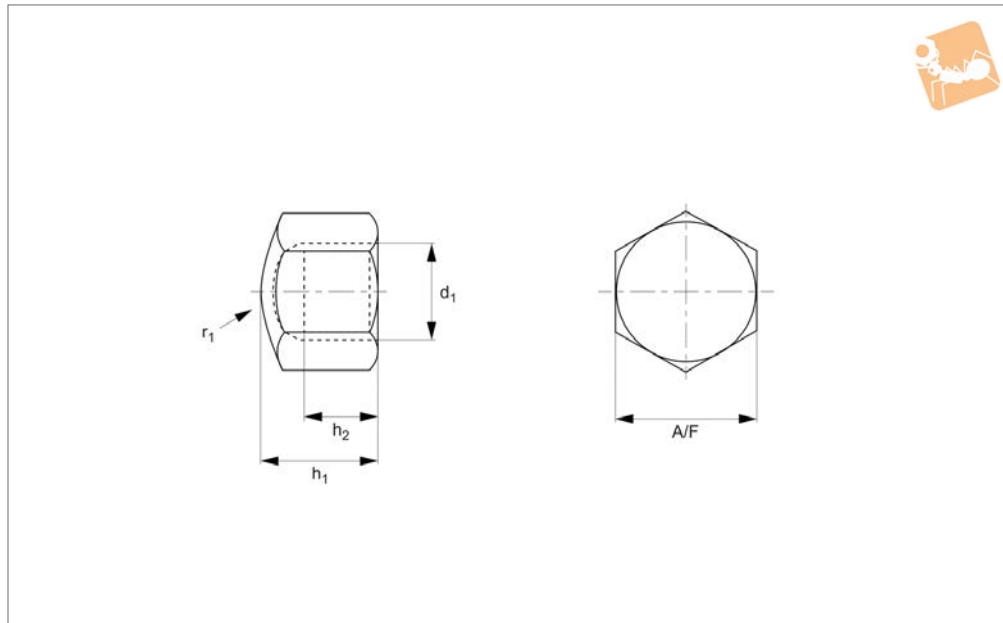
To DIN 917.

Order No.	d_1	h_1	h_2 min.	A/F	r_1	Material
P0317.030-A4	M 3	5	3	5.5	-	A4 s/s
P0317.040-A4	M 4	5.5	4.4	7	8	A4 s/s
P0317.050-A4	M 5	7	5.2	8	10	A4 s/s
P0317.060-A4	M 6	9	7	10	12	A4 s/s
P0317.080-A4	M 8	12	9.5	13	15	A4 s/s
P0317.100-A4	M10	14	11	17	20	A4 s/s
P0317.120-A4	M12	16	13.5	19	25	A4 s/s
P0317.140-A4	M14	18	15	22	28	A4 s/s
P0317.160-A4	M16	20	17	24	30	A4 s/s
P0317.180-A4	M18	22	19	27	32	A4 s/s
P0317.200-A4	M20	25	21	30	35	A4 s/s
P0317.220-A4	M22	28	22	32	35	A4 s/s
P0317.240-A4	M24	30	24	36	40	A4 s/s
P0317.270-A4	M27	32	26	41	50	A4 s/s
P0317.300-A4	M30	34	28	46	60	A4 s/s



Hexagon Cap Nuts

Steel, zinc-plated



P0317.ZP

NUTS

Material

Steel (class 6), zinc-plated.

Technical Notes

To DIN 917.

Order No.	d_1	h_1	h_2 min.	A/F	r_1	Material
P0317.030-ZP	M 3	5	3	5.5	-	Steel ZP
P0317.040-ZP	M 4	5.5	4.4	7	8	Steel ZP
P0317.050-ZP	M 5	7	5.2	8	10	Steel ZP
P0317.060-ZP	M 6	9	7	10	12	Steel ZP
P0317.080-ZP	M 8	12	9.5	13	15	Steel ZP
P0317.100-ZP	M10	14	11	17	20	Steel ZP
P0317.120-ZP	M12	16	13.5	19	25	Steel ZP
P0317.140-ZP	M14	18	15	22	28	Steel ZP
P0317.160-ZP	M16	20	17	24	30	Steel ZP
P0317.180-ZP	M18	22	19	27	32	Steel ZP
P0317.200-ZP	M20	25	21	30	35	Steel ZP
P0317.220-ZP	M22	28	22	32	35	Steel ZP
P0317.240-ZP	M24	30	24	36	40	Steel ZP
P0317.270-ZP	M27	32	26	41	50	Steel ZP
P0317.300-ZP	M30	34	28	46	60	Steel ZP