

P1240

OTHER PINS

Material

Mild steel (zinc-plated).

pins require a loose fit, and as a result the metric versions can also be for inch sizes.

H14 (under this diameter recommended tolerance is H13).

Technical Notes

To DIN 94 (equivalent to ISO 1234). Cotter

Recommended hole tolerance for d_1 1,6 is

Order No.	d_1 nom.	d_1 min.	d_1 max.	d_2 max.	l_1	l_2 max.	l_3 ≈
P1240.010-006	1	0.8	0.9	1.8	6	1.6	3
P1240.010-008	1	0.8	0.9	1.8	8	1.6	3
P1240.010-010	1	0.8	0.9	1.8	10	1.6	3
P1240.010-012	1	0.8	0.9	1.8	12	1.6	3
P1240.010-016	1	0.8	0.9	1.8	16	1.6	3
P1240.010-018	1	0.8	0.9	1.8	18	1.6	3
P1240.010-020	1	0.8	0.9	1.8	20	1.6	3
P1240.010-022	1	0.8	0.9	1.8	22	1.6	3
P1240.010-025	1	0.8	0.9	1.8	25	1.6	3
P1240.010-028	1	0.8	0.9	1.8	28	1.6	3
P1240.010-032	1	0.8	0.9	1.8	32	1.6	3
P1240.010-036	1	0.8	0.9	1.8	36	1.6	3
P1240.012-010	1.2	1.0	1.09	2.0	10	2.5	3
P1240.012-012	1.2	1.0	1.09	2.0	12	2.5	3
P1240.012-016	1.2	1.0	1.09	2.0	16	2.5	3
P1240.012-018	1.2	1.0	1.09	2.0	18	2.5	3
P1240.012-020	1.2	1.0	1.09	2.0	20	2.5	3
P1240.012-022	1.2	1.0	1.09	2.0	22	2.5	3
P1240.012-025	1.2	1.0	1.09	2.0	25	2.5	3
P1240.012-028	1.2	1.0	1.09	2.0	28	2.5	3
P1240.012-032	1.2	1.0	1.09	2.0	32	2.5	3
P1240.012-036	1.2	1.0	1.09	2.0	36	2.5	3
P1240.016-010	1.6	1.3	1.4	2.8	10	2.5	3.2
P1240.016-012	1.6	1.3	1.4	2.8	12	2.5	3.2
P1240.016-016	1.6	1.3	1.4	2.8	16	2.5	3.2
P1240.016-018	1.6	1.3	1.4	2.8	18	2.5	3.2
P1240.016-020	1.6	1.3	1.4	2.8	20	2.5	3.2
P1240.016-022	1.6	1.3	1.4	2.8	22	2.5	3.2
P1240.016-025	1.6	1.3	1.4	2.8	25	2.5	3.2
P1240.016-028	1.6	1.3	1.4	2.8	28	2.5	3.2
P1240.016-032	1.6	1.3	1.4	2.8	32	2.5	3.2
P1240.016-036	1.6	1.3	1.4	2.8	36	2.5	3.2
P1240.016-040	1.6	1.3	1.4	2.8	40	2.5	3.2
P1240.020-010	2	1.7	1.8	3.6	10	2.5	4.0

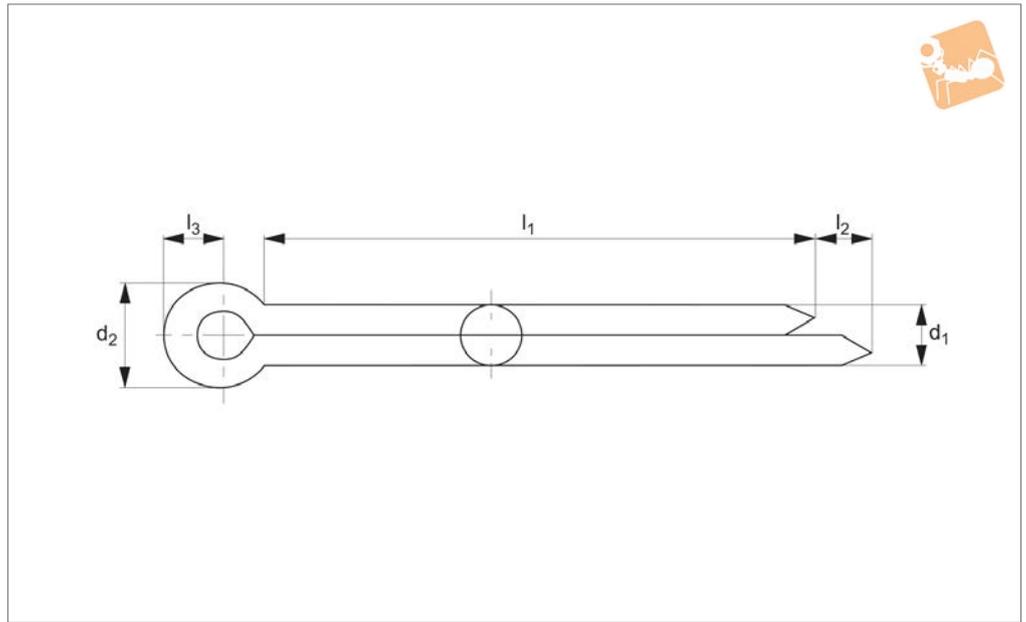


Order No.	d ₁ nom.	d ₁ min.	d ₁ max.	d ₂ max.	l ₁	l ₂ max.	l ₃ ≈
P1240.020-012	2	1.7	1.8	3.6	12	2.5	4.0
P1240.020-016	2	1.7	1.8	3.6	16	2.5	4.0
P1240.020-018	2	1.7	1.8	3.6	18	2.5	4.0
P1240.020-020	2	1.7	1.8	3.6	20	2.5	4.0
P1240.020-022	2	1.7	1.8	3.6	22	2.5	4.0
P1240.020-025	2	1.7	1.8	3.6	25	2.5	4.0
P1240.020-028	2	1.7	1.8	3.6	28	2.5	4.0
P1240.020-032	2	1.7	1.8	3.6	32	2.5	4.0
P1240.020-036	2	1.7	1.8	3.6	36	2.5	4.0
P1240.020-040	2	1.7	1.8	3.6	40	2.5	4.0
P1240.020-045	2	1.7	1.8	3.6	45	2.5	4.0
P1240.020-050	2	1.7	1.8	3.6	50	2.5	4.0
P1240.025-010	2.5	2.1	2.3	4.6	10	2.5	5.0
P1240.025-012	2.5	2.1	2.3	4.6	12	2.5	5.0
P1240.025-016	2.5	2.1	2.3	4.6	16	2.5	5.0
P1240.025-018	2.5	2.1	2.3	4.6	18	2.5	5.0
P1240.025-020	2.5	2.1	2.3	4.6	20	2.5	5.0
P1240.025-022	2.5	2.1	2.3	4.6	22	2.5	5.0
P1240.025-025	2.5	2.1	2.3	4.6	25	2.5	5.0
P1240.025-028	2.5	2.1	2.3	4.6	28	2.5	5.0
P1240.025-032	2.5	2.1	2.3	4.6	32	2.5	5.0
P1240.025-036	2.5	2.1	2.3	4.6	36	2.5	5.0
P1240.025-040	2.5	2.1	2.3	4.6	40	2.5	5.0
P1240.025-045	2.5	2.1	2.3	4.6	45	2.5	5.0
P1240.025-050	2.5	2.1	2.3	4.6	50	2.5	5.0
P1240.025-056	2.5	2.1	2.3	4.6	56	2.5	5.0
P1240.025-063	2.5	2.1	2.3	4.6	63	2.5	5.0
P1240.025-071	2.5	2.1	2.3	4.6	71	2.5	5.0
P1240.032-016	3.2	2.7	2.9	5.8	16	3.2	6.4
P1240.032-018	3.2	2.7	2.9	5.8	18	3.2	6.4
P1240.032-020	3.2	2.7	2.9	5.8	20	3.2	6.4
P1240.032-022	3.2	2.7	2.9	5.8	22	3.2	6.4
P1240.032-025	3.2	2.7	2.9	5.8	25	3.2	6.4
P1240.032-028	3.2	2.7	2.9	5.8	28	3.2	6.4
P1240.032-033	3.2	2.7	2.9	5.8	33	3.2	6.4
P1240.032-036	3.2	2.7	2.9	5.8	36	3.2	6.4
P1240.032-040	3.2	2.7	2.9	5.8	40	3.2	6.4
P1240.032-045	3.2	2.7	2.9	5.8	45	3.2	6.4
P1240.032-050	3.2	2.7	2.9	5.8	50	3.2	6.4
P1240.032-056	3.2	2.7	2.9	5.8	56	3.2	6.4
P1240.032-063	3.2	2.7	2.9	5.8	63	3.2	6.4
P1240.032-071	3.2	2.7	2.9	5.8	71	3.2	6.4
P1240.040-016	4	3.5	3.7	7.4	16	4.0	8.0
P1240.040-018	4	3.5	3.7	7.4	18	4.0	8.0
P1240.040-020	4	3.5	3.7	7.4	20	4.0	8.0
P1240.040-022	4	3.5	3.7	7.4	22	4.0	8.0
P1240.040-025	4	3.5	3.7	7.4	25	4.0	8.0
P1240.040-028	4	3.5	3.7	7.4	28	4.0	8.0
P1240.040-032	4	3.5	3.7	7.4	32	4.0	8.0
P1240.040-036	4	3.5	3.7	7.4	36	4.0	8.0
P1240.040-040	4	3.5	3.7	7.4	40	4.0	8.0
P1240.040-045	4	3.5	3.7	7.4	45	4.0	8.0
P1240.040-050	4	3.5	3.7	7.4	50	4.0	8.0
P1240.040-056	4	3.5	3.7	7.4	56	4.0	8.0
P1240.040-063	4	3.5	3.7	7.4	63	4.0	8.0
P1240.040-071	4	3.5	3.7	7.4	71	4.0	8.0
P1240.040-080	4	3.5	3.7	7.4	80	4.0	8.0
P1240.040-090	4	3.5	3.7	7.4	90	4.0	8.0
P1240.040-112	4	3.5	3.7	7.4	112	4.0	8.0
P1240.040-125	4	3.5	3.7	7.4	125	4.0	8.0
P1240.050-016	5	4.4	4.6	9.2	16	4.0	10.0
P1240.050-018	5	4.4	4.6	9.2	18	4.0	10.0
P1240.050-020	5	4.4	4.6	9.2	20	4.0	10.0
P1240.050-022	5	4.4	4.6	9.2	22	4.0	10.0
P1240.050-025	5	4.4	4.6	9.2	25	4.0	10.0
P1240.050-028	5	4.4	4.6	9.2	28	4.0	10.0
P1240.050-032	5	4.4	4.6	9.2	32	4.0	10.0
P1240.050-036	5	4.4	4.6	9.2	36	4.0	10.0

Order No.	d ₁ nom.	d ₁ min.	d ₁ max.	d ₂ max.	l ₁	l ₂ max.	l ₃ ≈
P1240.050-040	5	4.4	4.6	9.2	40	4.0	10.0
P1240.050-045	5	4.4	4.6	9.2	45	4.0	10.0
P1240.050-050	5	4.4	4.6	9.2	50	4.0	10.0
P1240.050-056	5	4.4	4.6	9.2	56	4.0	10.0
P1240.050-063	5	4.4	4.6	9.2	63	4.0	10.0
P1240.050-071	5	4.4	4.6	9.2	71	4.0	10.0
P1240.050-080	5	4.4	4.6	9.2	80	4.0	10.0
P1240.050-090	5	4.4	4.6	9.2	90	4.0	10.0
P1240.050-112	5	4.4	4.6	9.2	112	4.0	10.0
P1240.050-125	5	4.4	4.6	9.2	125	4.0	10.0
P1240.063-020	6	5.7	5.9	11.8	20	4.0	12.6
P1240.063-022	6	5.7	5.9	11.8	22	4.0	12.6
P1240.063-026	6	5.7	5.9	11.8	26	4.0	12.6
P1240.063-028	6	5.7	5.9	11.8	28	4.0	12.6
P1240.063-032	6	5.7	5.9	11.8	32	4.0	12.6
P1240.063-036	6	5.7	5.9	11.8	36	4.0	12.6
P1240.063-040	6	5.7	5.9	11.8	40	4.0	12.6
P1240.063-045	6	5.7	5.9	11.8	45	4.0	12.6
P1240.063-050	6	5.7	5.9	11.8	50	4.0	12.6
P1240.063-056	6	5.7	5.9	11.8	56	4.0	12.6
P1240.063-063	6	5.7	5.9	11.8	63	4.0	12.6
P1240.063-071	6	5.7	5.9	11.8	71	4.0	12.6
P1240.063-080	6	5.7	5.9	11.8	80	4.0	12.6
P1240.063-090	6	5.7	5.9	11.8	90	4.0	12.6
P1240.063-112	6	5.7	5.9	11.8	112	4.0	12.6
P1240.063-125	6	5.7	5.9	11.8	125	4.0	12.6
P1240.063-140	6	5.7	5.9	11.8	140	4.0	12.6
P1240.080-032	8	7.3	7.5	15	32	4.0	16.0
P1240.080-036	8	7.3	7.5	15	36	4.0	16.0
P1240.080-040	8	7.3	7.5	15	40	4.0	16.0
P1240.080-045	8	7.3	7.5	15	45	4.0	16.0
P1240.080-050	8	7.3	7.5	15	50	4.0	16.0
P1240.080-056	8	7.3	7.5	15	56	4.0	16.0
P1240.080-063	8	7.3	7.5	15	63	4.0	16.0
P1240.080-071	8	7.3	7.5	15	71	4.0	16.0
P1240.080-080	8	7.3	7.5	15	80	4.0	16.0
P1240.080-090	8	7.3	7.5	15	90	4.0	16.0
P1240.080-112	8	7.3	7.5	15	112	4.0	16.0
P1240.080-125	8	7.3	7.5	15	125	4.0	16.0
P1240.080-140	8	7.3	7.5	15	140	4.0	16.0
P1240.080-160	8	7.3	7.5	15	160	4.0	16.0
P1240.100-032	10	9.3	9.5	19	32	6.3	20.0
P1240.100-036	10	9.3	9.5	19	36	6.3	20.0
P1240.100-040	10	9.3	9.5	19	40	6.3	20.0
P1240.100-045	10	9.3	9.5	19	45	6.3	20.0
P1240.100-050	10	9.3	9.5	19	50	6.3	20.0
P1240.100-056	10	9.3	9.5	19	56	6.3	20.0
P1240.100-063	10	9.3	9.5	19	63	6.3	20.0
P1240.100-071	10	9.3	9.5	19	71	6.3	20.0
P1240.100-080	10	9.3	9.5	19	80	6.3	20.0
P1240.100-090	10	9.3	9.5	19	90	6.3	20.0
P1240.100-112	10	9.3	9.5	19	112	6.3	20.0
P1240.100-125	10	9.3	9.5	19	125	6.3	20.0
P1240.100-140	10	9.3	9.5	19	140	6.3	20.0
P1240.100-160	10	9.3	9.5	19	160	6.3	20.0
P1240.120-045	12	12.1	12.4	24.8	45	6.3	26.0
P1240.120-050	12	12.1	12.4	24.8	50	6.3	26.0
P1240.120-056	12	12.1	12.4	24.8	56	6.3	26.0
P1240.120-063	12	12.1	12.4	24.8	63	6.3	26.0
P1240.120-071	12	12.1	12.4	24.8	71	6.3	26.0
P1240.120-080	12	12.1	12.4	24.8	80	6.3	26.0
P1240.120-090	12	12.1	12.4	24.8	90	6.3	26.0
P1240.120-112	12	12.1	12.4	24.8	112	6.3	26.0
P1240.120-125	12	12.1	12.4	24.8	125	6.3	26.0
P1240.120-140	12	12.1	12.4	24.8	140	6.3	26.0
P1240.120-160	12	12.1	12.4	24.8	160	6.3	26.0



P1241



Material

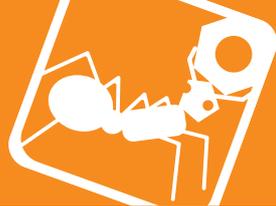
Stainless steel (A2, AISI 303).

pins require a loose fit, and as a result the metric versions can also be for inch sizes.

Technical Notes

To DIN 94 (equivalent to ISO 1234). Cotter

Order No.	d ₁ nom.	d ₂ max.	l ₁	l ₂ max.	l ₃ ≈
P1241.010-006	1	1.8	6	1.6	3.0
P1241.010-008	1	1.8	8	1.6	3.0
P1241.010-010	1	1.8	10	1.6	3.0
P1241.010-012	1	1.8	12	1.6	3.0
P1241.010-016	1	1.8	16	1.6	3.0
P1241.010-018	1	1.8	18	1.6	3.0
P1241.010-020	1	1.8	20	1.6	3.0
P1241.010-022	1	1.8	22	1.6	3.0
P1241.010-025	1	1.8	25	1.6	3.0
P1241.010-028	1	1.8	28	1.6	3.0
P1241.010-032	1	1.8	32	1.6	3.0
P1241.010-036	1	1.8	36	1.6	3.0
P1241.012-010	1.2	2	10	2.5	3.0
P1241.012-012	1.2	2	12	2.5	3.0
P1241.012-016	1.2	2	16	2.5	3.0
P1241.012-018	1.2	2	18	2.5	3.0
P1241.012-020	1.2	2	20	2.5	3.0
P1241.012-022	1.2	2	22	2.5	3.0
P1241.012-025	1.2	2	25	2.5	3.0
P1241.012-028	1.2	2	28	2.5	3.0
P1241.012-032	1.2	2	32	2.5	3.0
P1241.012-036	1.2	2	36	2.5	3.0
P1241.016-010	1.6	2.8	10	2.5	3.2
P1241.016-012	1.6	2.8	12	2.5	3.2
P1241.016-016	1.6	2.8	16	2.5	3.2
P1241.016-018	1.6	2.8	18	2.5	3.2
P1241.016-020	1.6	2.8	20	2.5	3.2
P1241.016-022	1.6	2.8	22	2.5	3.2
P1241.016-025	1.6	2.8	25	2.5	3.2
P1241.016-028	1.6	2.8	28	2.5	3.2
P1241.016-032	1.6	2.8	32	2.5	3.2
P1241.016-036	1.6	2.8	36	2.5	3.2
P1241.016-040	1.6	2.8	40	2.5	3.2
P1241.020-010	2	3.6	10	2.5	4.0

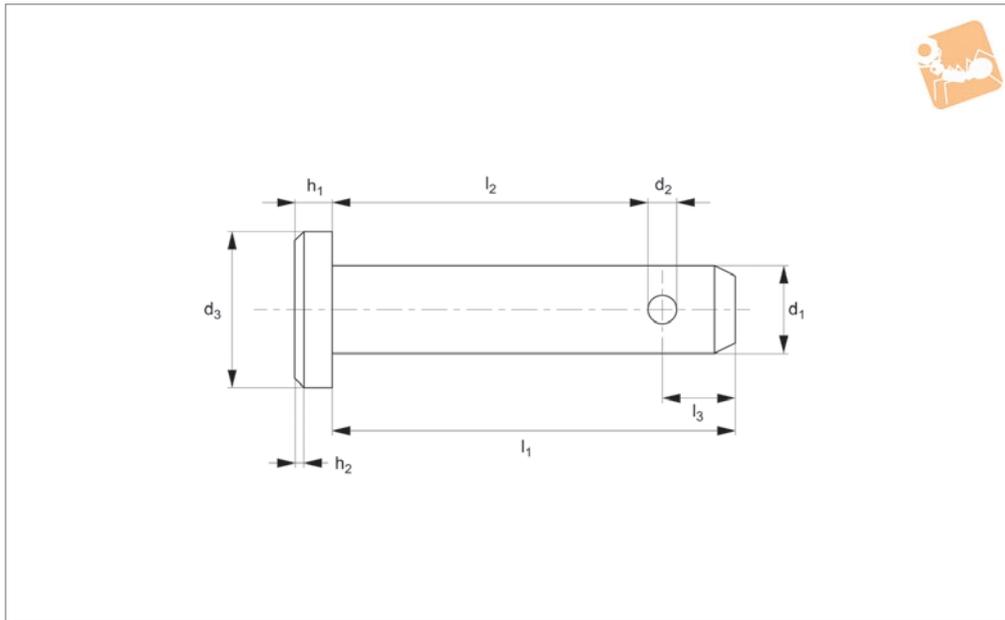


Order No.	d ₁ nom.	d ₂ max.	l ₁	l ₂ max.	l ₃ ≈
P1241.020-012	2	3.6	12	2.5	4.0
P1241.020-016	2	3.6	16	2.5	4.0
P1241.020-018	2	3.6	18	2.5	4.0
P1241.020-020	2	3.6	20	2.5	4.0
P1241.020-022	2	3.6	22	2.5	4.0
P1241.020-025	2	3.6	25	2.5	4.0
P1241.020-028	2	3.6	28	2.5	4.0
P1241.020-032	2	3.6	32	2.5	4.0
P1241.020-036	2	3.6	36	2.5	4.0
P1241.020-040	2	3.6	40	2.5	4.0
P1241.020-045	2	3.6	45	2.5	4.0
P1241.020-050	2	3.6	50	2.5	4.0
P1241.025-010	2.5	4.6	10	2.5	5.0
P1241.025-012	2.5	4.6	12	2.5	5.0
P1241.025-016	2.5	4.6	16	2.5	5.0
P1241.025-018	2.5	4.6	18	2.5	5.0
P1241.025-020	2.5	4.6	20	2.5	5.0
P1241.025-022	2.5	4.6	22	2.5	5.0
P1241.025-025	2.5	4.6	25	2.5	5.0
P1241.025-028	2.5	4.6	28	2.5	5.0
P1241.025-032	2.5	4.6	32	2.5	5.0
P1241.025-036	2.5	4.6	36	2.5	5.0
P1241.025-040	2.5	4.6	40	2.5	5.0
P1241.025-045	2.5	4.6	45	2.5	5.0
P1241.025-050	2.5	4.6	50	2.5	5.0
P1241.025-056	2.5	4.6	56	2.5	5.0
P1241.025-063	2.5	4.6	63	2.5	5.0
P1241.025-071	2.5	4.6	71	2.5	5.0
P1241.032-016	3.2	5.8	16	3.2	6.4
P1241.032-018	3.2	5.8	18	3.2	6.4
P1241.032-020	3.2	5.8	20	3.2	6.4
P1241.032-022	3.2	5.8	22	3.2	6.4
P1241.032-026	3.2	5.8	26	3.2	6.4
P1241.032-028	3.2	5.8	28	3.2	6.4
P1241.032-032	3.2	5.8	32	3.2	6.4
P1241.032-036	3.2	5.8	36	3.2	6.4
P1241.032-040	3.2	5.8	40	3.2	6.4
P1241.032-045	3.2	5.8	45	3.2	6.4
P1241.032-050	3.2	5.8	50	3.2	6.4
P1241.032-056	3.2	5.8	56	3.2	6.4
P1241.032-063	3.2	5.8	63	3.2	6.4
P1241.032-071	3.2	5.8	71	3.2	6.4
P1241.040-016	4	7.4	16	4.0	8.0
P1241.040-018	4	7.4	18	4.0	8.0
P1241.040-020	4	7.4	20	4.0	8.0
P1241.040-022	4	7.4	22	4.0	8.0
P1241.040-025	4	7.4	25	4.0	8.0
P1241.040-028	4	7.4	28	4.0	8.0
P1241.040-032	4	7.4	32	4.0	8.0
P1241.040-036	4	7.4	36	4.0	8.0
P1241.040-040	4	7.4	40	4.0	8.0
P1241.040-045	4	7.4	45	4.0	8.0
P1241.040-050	4	7.4	50	4.0	8.0
P1241.040-056	4	7.4	56	4.0	8.0
P1241.040-063	4	7.4	63	4.0	8.0
P1241.040-071	4	7.4	71	4.0	8.0
P1241.040-080	4	7.4	80	4.0	8.0
P1241.040-090	4	7.4	90	4.0	8.0
P1241.040-112	4	7.4	112	4.0	8.0
P1241.040-125	4	7.4	125	4.0	8.0
P1241.050-016	5	9.2	16	4.0	10
P1241.050-018	5	9.2	18	4.0	10
P1241.050-020	5	9.2	20	4.0	10
P1241.050-022	5	9.2	22	4.0	10
P1241.050-025	5	9.2	25	4.0	10
P1241.050-028	5	9.2	28	4.0	10
P1241.050-032	5	9.2	32	4.0	10
P1241.050-036	5	9.2	36	4.0	10

OTHER PINS



Order No.	d ₁ nom.	d ₂ max.	l ₁	l ₂ max.	l ₃ ≈
P1241.050-040	5	9.2	40	4.0	10
P1241.050-045	5	9.2	45	4.0	10
P1241.050-050	5	9.2	50	4.0	10
P1241.050-056	5	9.2	56	4.0	10
P1241.050-063	5	9.2	63	4.0	10
P1241.050-071	5	9.2	71	4.0	10
P1241.050-080	5	9.2	80	4.0	10
P1241.050-090	5	9.2	90	4.0	10
P1241.050-112	5	9.2	112	4.0	10
P1241.050-125	5	9.2	125	4.0	10
P1241.063-020	6.3	11.8	20	4.0	12.6
P1241.063-022	6.3	11.8	22	4.0	12.6
P1241.063-026	6.3	11.8	26	4.0	12.6
P1241.063-028	6.3	11.8	28	4.0	12.6
P1241.063-032	6.3	11.8	32	4.0	12.6
P1241.063-036	6.3	11.8	36	4.0	12.6
P1241.063-040	6.3	11.8	40	4.0	12.6
P1241.063-045	6.3	11.8	45	4.0	12.6
P1241.063-050	6.3	11.8	50	4.0	12.6
P1241.063-056	6.3	11.8	56	4.0	12.6
P1241.063-063	6.3	11.8	63	4.0	12.6
P1241.063-071	6.3	11.8	71	4.0	12.6
P1241.063-080	6.3	11.8	80	4.0	12.6
P1241.063-090	6.3	11.8	90	4.0	12.6
P1241.063-112	6.3	11.8	112	4.0	12.6
P1241.063-125	6.3	11.8	125	4.0	12.6
P1241.063-140	6.3	11.8	140	4.0	12.6



P1242

OTHER PINS

Material

Mild steel, zinc-plated.

Technical Notes

To DIN 1444 B (ISO 2341 form B). The grip

length is l_2 .

l_1 tolerances:-
up to 10mm long $\pm 0,25$
12-50mm long $\pm 0,50$

over 50mm long $\pm 0,75$.

Tips

For use with cotter pins (P1240 or P1241) or retaining pins (P1243).

Order No.	d_1 tol. h11	d_2	d_3	h_1	h_2	l_1	l_2	l_3
P1242.050-010	5	1.2	8.0	1.6	0.5	10	6.5	2.9
P1242.050-012	5	1.2	8.0	1.6	0.5	12	8.5	2.9
P1242.050-016	5	1.2	8.0	1.6	0.5	16	12.5	2.9
P1242.050-018	5	1.2	8.0	1.6	0.5	18	14.5	2.9
P1242.050-020	5	1.2	8.0	1.6	0.5	20	16.5	2.9
P1242.050-022	5	1.2	8.0	1.6	0.5	22	18.5	2.9
P1242.050-024	5	1.2	8.0	1.6	0.5	24	20.5	2.9
P1242.050-026	5	1.2	8.0	1.6	0.5	26	22.5	2.9
P1242.050-028	5	1.2	8.0	1.6	0.5	28	24.5	2.9
P1242.050-030	5	1.2	8.0	1.6	0.5	30	26.5	2.9
P1242.050-032	5	1.2	8.0	1.6	0.5	32	28.5	2.9
P1242.050-035	5	1.2	8.0	1.6	0.5	35	31.5	2.9
P1242.050-040	5	1.2	8.0	1.6	0.5	40	36.5	2.9
P1242.050-045	5	1.2	8.0	1.6	0.5	45	41.5	2.9
P1242.050-050	5	1.2	8.0	1.6	0.5	50	46.5	2.9
P1242.060-012	6	1.6	10.0	2.0	1.0	12	8.0	3.2
P1242.060-016	6	1.6	10.0	2.0	1.0	16	12.0	3.2
P1242.060-018	6	1.6	10.0	2.0	1.0	18	14.0	3.2
P1242.060-020	6	1.6	10.0	2.0	1.0	20	16.0	3.2
P1242.060-022	6	1.6	10.0	2.0	1.0	22	18.0	3.2
P1242.060-024	6	1.6	10.0	2.0	1.0	24	20.0	3.2
P1242.060-026	6	1.6	10.0	2.0	1.0	26	22.0	3.2
P1242.060-028	6	1.6	10.0	2.0	1.0	28	24.0	3.2
P1242.060-030	6	1.6	10.0	2.0	1.0	30	26.0	3.2
P1242.060-032	6	1.6	10.0	2.0	1.0	32	28.0	3.2
P1242.060-035	6	1.6	10.0	2.0	1.0	35	31.0	3.2
P1242.060-040	6	1.6	10.0	2.0	1.0	40	36.0	3.2
P1242.060-045	6	1.6	10.0	2.0	1.0	45	41.0	3.2
P1242.060-050	6	1.6	10.0	2.0	1.0	50	46.0	3.2
P1242.060-055	6	1.6	10.0	2.0	1.0	55	51.0	3.2
P1242.060-060	6	1.6	10.0	2.0	1.0	60	56.0	3.2
P1242.080-016	8	2	14.0	3.0	1.0	16	11.5	3.5
P1242.080-018	8	2	14.0	3.0	1.0	18	13.5	3.5
P1242.080-020	8	2	14.0	3.0	1.0	20	15.5	3.5



OTHER PINS

Order No.	d ₁ tol. h11	d ₂	d ₃	h ₁	h ₂	l ₁	l ₂	l ₃
P1242.080-022	8	2	14.0	3.0	1.0	22	17.5	3.5
P1242.080-024	8	2	14.0	3.0	1.0	24	19.5	3.5
P1242.080-026	8	2	14.0	3.0	1.0	26	21.5	3.5
P1242.080-028	8	2	14.0	3.0	1.0	28	23.5	3.5
P1242.080-030	8	2	14.0	3.0	1.0	30	25.5	3.5
P1242.080-032	8	2	14.0	3.0	1.0	32	27.5	3.5
P1242.080-035	8	2	14.0	3.0	1.0	35	30.5	3.5
P1242.080-040	8	2	14.0	3.0	1.0	40	35.5	3.5
P1242.080-045	8	2	14.0	3.0	1.0	45	40.5	3.5
P1242.080-050	8	2	14.0	3.0	1.0	50	45.5	3.5
P1242.080-055	8	2	14.0	3.0	1.0	55	50.5	3.5
P1242.080-060	8	2	14.0	3.0	1.0	60	55.5	3.5
P1242.080-065	8	2	14.0	3.0	1.0	65	60.5	3.5
P1242.080-070	8	2	14.0	3.0	1.0	70	65.5	3.5
P1242.080-075	8	2	14.0	3.0	1.0	75	70.5	3.5
P1242.080-080	8	2	14.0	3.0	1.0	80	75.5	3.5
P1242.100-020	10	3.2	18.0	4.0	1.0	20	13.9	4.5
P1242.100-022	10	3.2	18.0	4.0	1.0	22	15.9	4.5
P1242.100-024	10	3.2	18.0	4.0	1.0	24	17.9	4.5
P1242.100-028	10	3.2	18.0	4.0	1.0	28	21.9	4.5
P1242.100-030	10	3.2	18.0	4.0	1.0	30	23.9	4.5
P1242.100-032	10	3.2	18.0	4.0	1.0	32	25.9	4.5
P1242.100-035	10	3.2	18.0	4.0	1.0	35	28.9	4.5
P1242.100-040	10	3.2	18.0	4.0	1.0	40	33.9	4.5
P1242.100-045	10	3.2	18.0	4.0	1.0	45	38.9	4.5
P1242.100-050	10	3.2	18.0	4.0	1.0	50	43.9	4.5
P1242.100-055	10	3.2	18.0	4.0	1.0	55	48.9	4.5
P1242.100-060	10	3.2	18.0	4.0	1.0	60	53.9	4.5
P1242.100-065	10	3.2	18.0	4.0	1.0	65	58.9	4.5
P1242.100-070	10	3.2	18.0	4.0	1.0	70	63.9	4.5
P1242.100-075	10	3.2	18.0	4.0	1.0	75	68.9	4.5
P1242.100-080	10	3.2	18.0	4.0	1.0	80	73.9	4.5
P1242.100-085	10	3.2	18.0	4.0	1.0	85	78.9	4.5
P1242.100-090	10	3.2	18.0	4.0	1.0	90	83.9	4.5
P1242.100-095	10	3.2	18.0	4.0	1.0	95	88.9	4.5
P1242.100-100	10	3.2	18.0	4.0	1.0	100	93.9	4.5
P1242.120-024	12	3.2	20.0	4.0	1.5	24	16.9	5.5
P1242.120-026	12	3.2	20.0	4.0	1.5	26	18.9	5.5
P1242.120-028	12	3.2	20.0	4.0	1.5	28	20.9	5.5
P1242.120-030	12	3.2	20.0	4.0	1.5	30	22.9	5.5
P1242.120-032	12	3.2	20.0	4.0	1.5	32	24.9	5.5
P1242.120-035	12	3.2	20.0	4.0	1.5	35	27.9	5.5
P1242.120-040	12	3.2	20.0	4.0	1.5	40	32.9	5.5
P1242.120-045	12	3.2	20.0	4.0	1.5	45	37.9	5.5
P1242.120-050	12	3.2	20.0	4.0	1.5	50	42.9	5.5
P1242.120-055	12	3.2	20.0	4.0	1.5	55	47.9	5.5
P1242.120-060	12	3.2	20.0	4.0	1.5	60	52.9	5.5
P1242.120-065	12	3.2	20.0	4.0	1.5	65	57.9	5.5
P1242.120-070	12	3.2	20.0	4.0	1.5	70	62.9	5.5
P1242.120-075	12	3.2	20.0	4.0	1.5	75	67.9	5.5
P1242.120-080	12	3.2	20.0	4.0	1.5	80	72.9	5.5
P1242.120-085	12	3.2	20.0	4.0	1.5	85	77.9	5.5
P1242.120-090	12	3.2	20.0	4.0	1.5	90	82.9	5.5
P1242.120-095	12	3.2	20.0	4.0	1.5	95	87.9	5.5
P1242.120-100	12	3.2	20.0	4.0	1.5	100	92.9	5.5
P1242.120-120	12	3.2	20.0	4.0	1.5	120	112.9	5.5

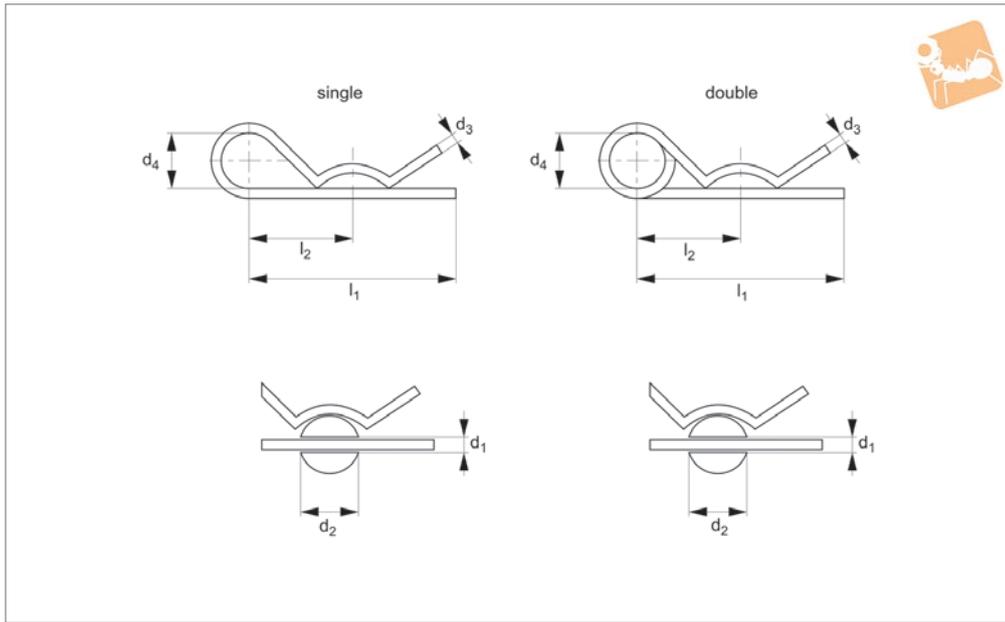


Retaining Pins (R Clips)

R clips



Other Pins



P1243

OTHER PINS

Material

Spring steel (zinc-plated) or stainless steel (A2, AISI 303 or A4, AISI 316).

Technical Notes

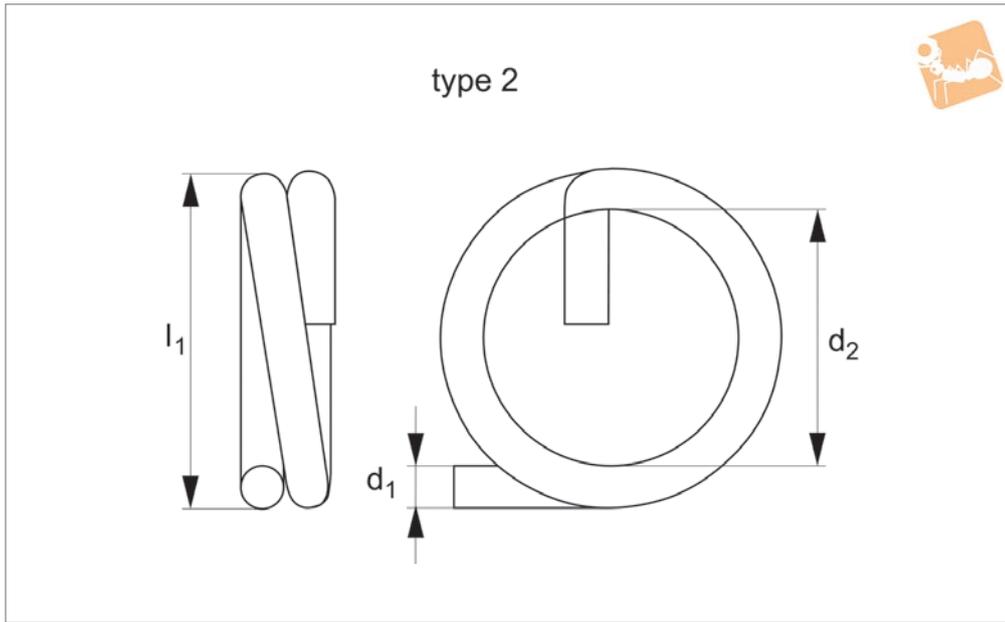
To DIN 11024.
Single coils and double coils (for more

demanding applications).

Order No.	For hole dia. d_1	Type	d_2 range	d_4	l_1	l_2	Wire dia. d_3	Material
P1243.015-S-ZP	1.5	Single	5-8	-	22	-	1.2	Steel
P1243.020-S-ZP	2.0	Single	6-10	8.5	25	14.4	1.6	Steel
P1243.022-S-ZP	2.2	Single	8-13	8.8	36	15.8	1.8	Steel
P1243.025-S-ZP	2.5	Single	9-14	10.2	56	25.6	2.0	Steel
P1243.035-S-ZP	3.5	Single	10-20	18.5	72	30.0	3.0	Steel
P1243.045-S-ZP	4.0	Single	16-25	20.7	60	33.4	4.0	Steel
P1243.060-S-ZP	6.0	Single	20-28	25.0	102	43.0	5.0	Steel
P1243.070-S-ZP	7.0	Single	28-40	-	124	-	6.0	Steel
P1243.080-S-ZP	8.0	Single	28-45	28.9	110	59.0	7.0	Steel
P1243.090-S-ZP	9.0	Single	30-45	-	128	-	8.0	Steel
P1243.020-S-A2	2.5	Single	8-7	10.0	40	25.0	2.0	A2 s/s
P1243.025-S-A2	3.0	Single	10-16	11.0	46	24.0	2.5	A2 s/s
P1243.030-S-A2	3.5	Single	16-18	16.0	60	34.0	3.0	A2 s/s
P1243.045-S-A2	4.5	Single	18-20	19.0	64	36.0	4.0	A2 s/s
P1243.050-S-A2	6.0	Single	20-28	26.0	82	45.0	5.0	A2 s/s
P1243.060-S-A2	7.0	Single	28-40	30.0	110	60.0	6.0	A2 s/s
P1243.020-S-A4	2.5	Single	8-7	10.0	40	25.0	2.0	A4 s/s
P1243.025-S-A4	3.0	Single	10-16	11.0	46	24.0	2.5	A4 s/s
P1243.030-S-A4	3.5	Single	16-18	16.0	60	34.0	3.0	A4 s/s
P1243.045-S-A4	4.5	Single	18-20	19.0	64	36.0	4.0	A4 s/s
P1243.050-S-A4	6.0	Single	20-28	26.0	82	45.0	5.0	A4 s/s
P1243.060-S-A4	7.0	Single	28-40	30.0	110	60.0	6.0	A4 s/s
P1243.025-D-ZP	2.5	Double	8-14	10.3	52	26.3	2.0	Steel
P1243.035-D-ZP	3.5	Double	14-20	16.0	72	36.4	3.0	Steel
P1243.045-D-ZP	4.5	Double	17-24	24.7	80	43.8	4.0	Steel
P1243.055-D-ZP	5.5	Double	18-30	26.1	98	53.4	5.0	Steel
P1243.065-D-ZP	6.5	Double	24-36	28.9	120	72.5	6.0	Steel
P1243.080-D-ZP	8.0	Double	26-40	-	148	-	7.0	Steel
P1243.090-D-ZP	9.0	Double	24-40	-	149	-	8.0	Steel
P1243.025-D-A2	2.5	Double	9-11	20.0	48	24.0	2.25	A2 s/s
P1243.032-D-A2	3.2	Double	11-14	20.0	48	26.0	2.8	A2 s/s
P1243.040-D-A2	4.0	Double	14-20	20.0	64	32.0	3.6	A2 s/s
P1243.050-D-A2	5.0	Double	20-26	25.0	80	39.0	4.5	A2 s/s
P1243.063-D-A2	6.3	Double	26-34	25.0	97	45.0	5.6	A2 s/s
P1243.070-D-A2	7.0	Double	34-35	30.0	125	56.0	6.3	A2 s/s



Order No.	For hole dia. d_1	Type	d_2 range	d_4	l_1	l_2	Wire dia. d_3	Material
P1243.080-D-A2	8.0	Double	45-56	30.0	150	63.0	7.0	A2 s/s
P1243.025-D-A4	2.5	Double	9-11	20.0	42	24.0	2.25	A4 s/s
P1243.032-D-A4	3.2	Double	11-14	20.0	48	26.0	2.8	A4 s/s
P1243.040-D-A4	4.0	Double	14-20	20.0	64	32.0	3.6	A4 s/s
P1243.050-D-A4	5.0	Double	20-26	25.0	80	39.0	4.5	A4 s/s
P1243.063-D-A4	6.3	Double	26-34	25.0	97	45.0	5.6	A4 s/s
P1243.070-D-A4	7.0	Double	34-45	30.0	125	56.0	6.3	A4 s/s
P1243.080-D-A4	8.0	Double	45-56	30.0	150	63.0	7.0	A4 s/s



P1244

OTHER PINS

Material 316).
 Spring steel (EN10270-1-SM), yellow galvanised, or stainless steel (A4, AISI

Order No.	d ₁	Type	d ₂	Material
P1244.010-A4	1.0	Type 2	10.0	A4 s/s
P1244.012-A4	1.2	Type 2	13.8	A4 s/s
P1244.015-A4	1.5	Type 2	18.5	A4 s/s
P1244.020-A4	2.0	Type 2	23.0	A4 s/s