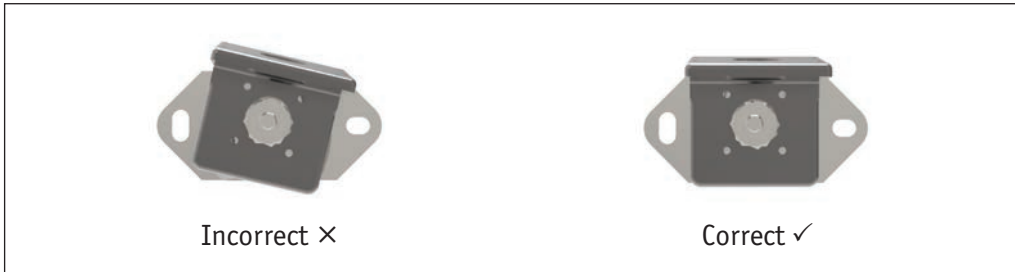
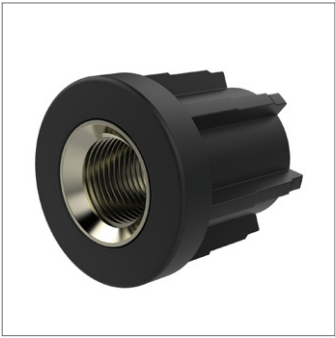




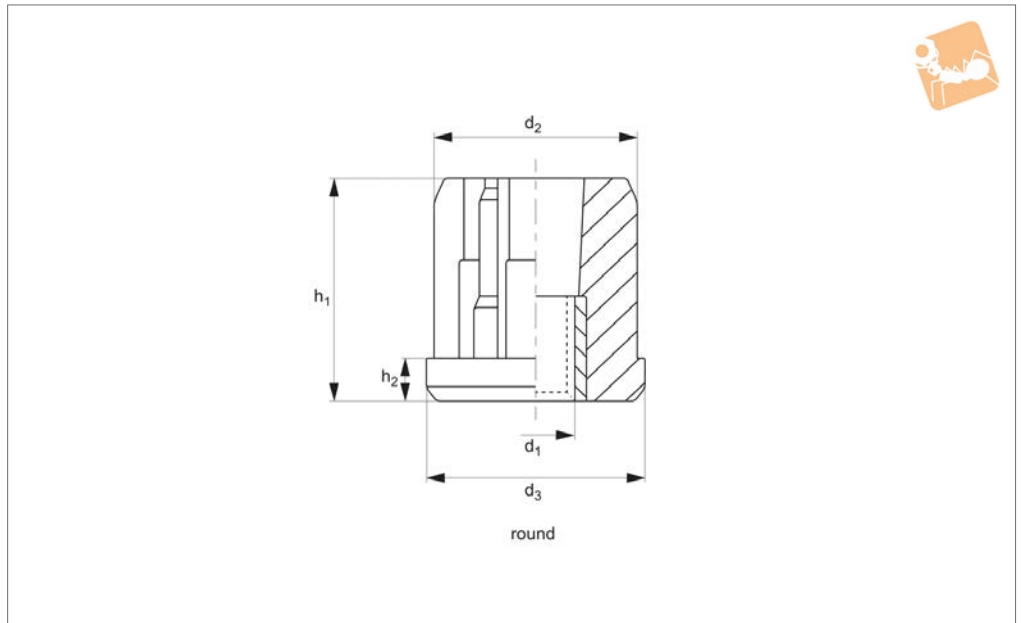
### Recommendations for Machine Mounts

The machine mounts should be installed between two parallel and perfectly flat surfaces. Mounts operating tilted or twisted do not work properly. This may be due to incorrect alignment, tolerances in the building of the structure or over-tightened torque during the installation of the anti-vibration mounts.





**P2212.R**



**Material**

Moulding: polyamide, reinforced with fiber glass.

Insert: nickel-plated brass.

Stainless steel inserts available on request.

Notes -

Order No.	d <sub>1</sub>	d <sub>2</sub>	d <sub>3</sub>	h <sub>1</sub>	h <sub>2</sub>	Static load kN max.
P2212.30-28-R10	M10	28.5	30	35	6	3.2
P2212.30-28-R12	M12	28.5	30	35	6	3.2
P2212.30-28-R14	M14	28.5	30	35	6	3.2
P2212.30-28-R16	M16	28.5	30	35	6	3.2
P2212.38-35-R10	M10	35.5	38	43	8	5.5
P2212.38-35-R12	M12	35.5	38	43	8	5.5
P2212.38-35-R14	M14	35.5	38	43	8	5.5
P2212.38-35-R16	M16	35.5	38	43	8	5.5
P2212.42-39-R10	M10	39.5	42	42	8	6.5
P2212.42-39-R12	M12	39.5	42	42	8	6.5
P2212.42-39-R14	M14	39.5	42	42	8	6.5
P2212.42-39-R16	M16	39.5	42	42	8	6.5
P2212.42-39-R20	M20	39.5	42	42	8	6.5
P2212.48-45-R10	M10	45.5	48	49	11	8.0
P2212.48-45-R12	M12	45.5	48	49	11	8.0
P2212.48-45-R14	M14	45.5	48	49	11	8.0
P2212.48-45-R16	M16	45.5	48	49	11	8.0
P2212.48-45-R20	M20	45.5	48	49	11	8.0
P2212.50-47-R14	M14	47.5	50	49	11	8.5
P2212.50-47-R16	M16	47.5	50	49	11	8.5
P2212.50-47-R20	M20	47.5	50	49	11	8.5
P2212.60-57-R14	M14	57.5	60	50	12	10.0
P2212.60-57-R16	M16	57.5	60	50	12	10.0
P2212.60-57-R20	M20	57.5	60	50	12	10.0
P2212.60-57-R24	M24	57.5	60	50	12	10.0
P2212.60-56-R14	M14	56.5	60	50	12	10.0
P2212.60-56-R16	M16	56.5	60	50	12	10.0
P2212.60-56-R20	M20	56.5	60	50	12	10.0
P2212.60-56-R24	M24	56.5	60	50	12	10.0
P2212.60-55-R14	M14	55.5	60	50	12	10.0
P2212.60-55-R16	M16	55.5	60	50	12	10.0
P2212.60-55-R20	M20	55.5	60	50	12	10.0
P2212.60-55-R24	M24	55.5	60	50	12	10.0

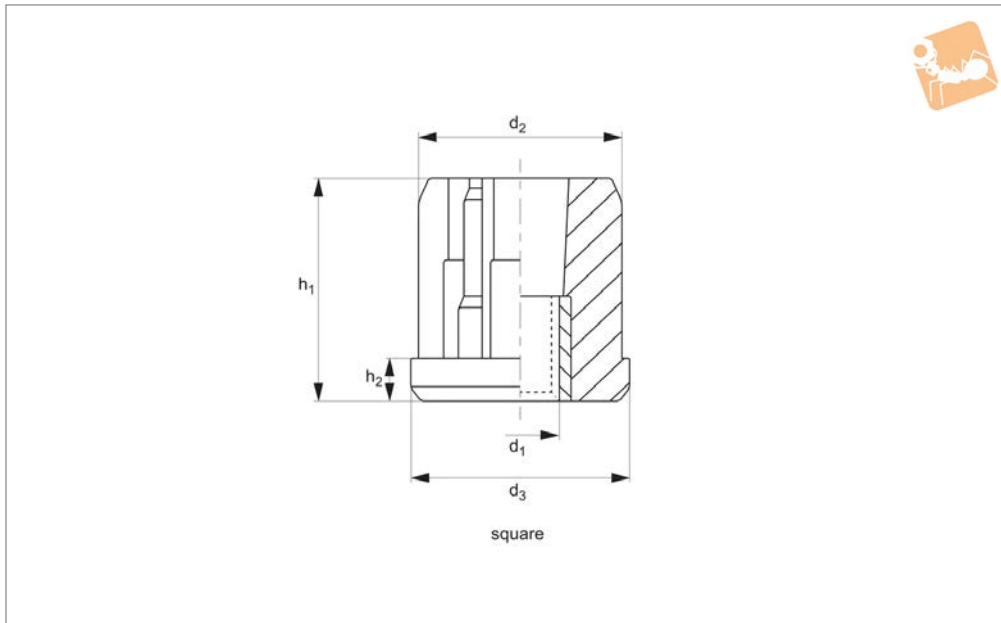


# Threaded Plastic Insert - Square

with nickel plated brass bush



Levelling Feet



**P2212.S**

LEVELLING FEET

**Material**

Moulding: polyamide, reinforced with fiber glass.

Insert: nickel-plated brass.

Stainless steel inserts available on request.

Notes -

Order No.	d <sub>1</sub>	d <sub>2</sub>	d <sub>3</sub>	h <sub>1</sub>	h <sub>2</sub>	Static load kN max.
P2212.30-27-S10	M10	27	30x30x1,5	33	6	5.5
P2212.30-27-S12	M12	27	30x30x1,5	33	6	5.5
P2212.30-27-S14	M14	27	30x30x1,5	33	6	5.5
P2212.30-27-S16	M16	27	30x30x1,5	33	6	5.5
P2212.35-32-S10	M10	32	35x35x1,5	43	8	7.0
P2212.35-32-S12	M12	32	35x35x1,5	43	8	7.0
P2212.35-32-S14	M14	32	35x35x1,5	43	8	7.0
P2212.35-32-S16	M16	32	35x35x1,5	43	8	7.0
P2212.40-37-S12	M12	37	40x40x1,5	43	8	8.0
P2212.40-37-S14	M14	37	40x40x1,5	43	8	8.0
P2212.40-37-S16	M16	37	40x40x1,5	43	8	8.0
P2212.40-37-S20	M20	37	40x40x1,5	43	8	8.0
P2212.40-36-S10	M10	36	40x40x2,0	43	8	8.0
P2212.40-36-S12	M12	36	40x40x2,0	43	8	8.0
P2212.40-36-S14	M14	36	40x40x2,0	43	8	8.0
P2212.40-36-S16	M16	36	40x40x2,0	43	8	8.0
P2212.40-36-S20	M20	36	40x40x2,0	43	8	8.0
P2212.50-47-S12	M12	47	50x50x1,5	55	10	9.5
P2212.50-47-S14	M14	47	50x50x1,5	55	10	9.5
P2212.50-47-S16	M16	47	50x50x1,5	55	10	9.5
P2212.50-47-S20	M20	47	50x50x1,5	55	10	9.5
P2212.50-45-S14	M14	45	50x50x2,0	55	10	9.5
P2212.50-45-S20	M20	45	50x50x2,0	55	10	9.5