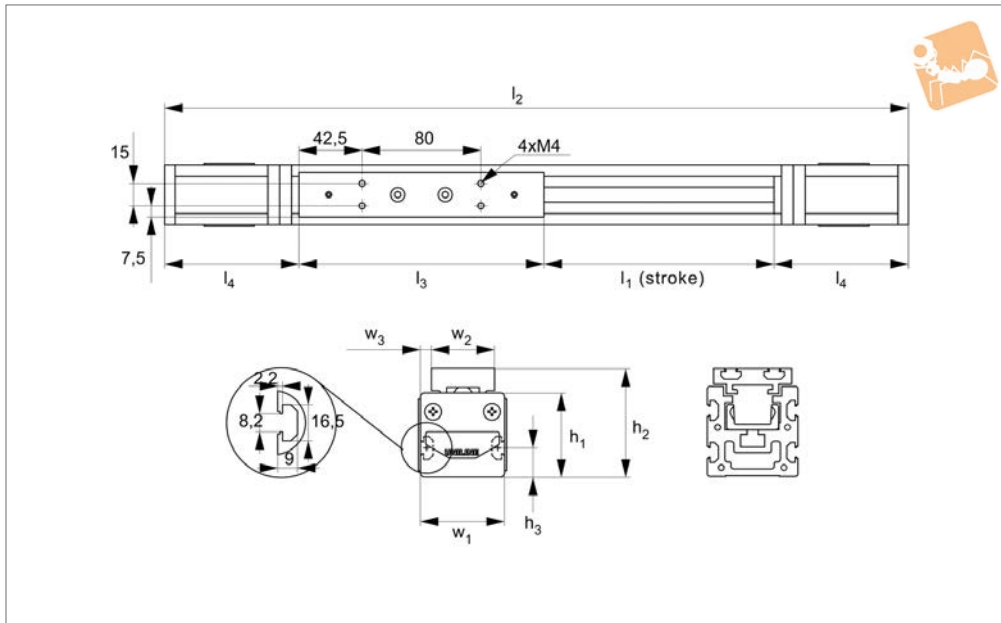
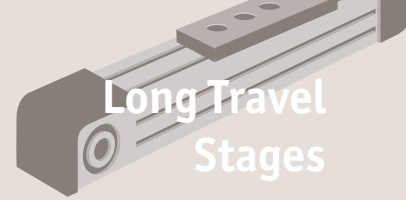




Light Duty Belt Driven Unit

size 40



L3001.A40

LONG TRAVEL STAGES

Material

Special sliders on a single hardened steel rail, encased in an aluminium profile.

Technical Notes

Any length overall stroke unit can be supplied (up to 1,9 metres in a single section) for the A40 series. Longer strokes

available.

Longer carriages and double carriages are available which increase the load capacity of the units.

Tips

See technical pages for more information on belt specification, long carriages,

double carriages and motor connections. Can easily be combined to make an XY, XYZ or other set up gantry system.

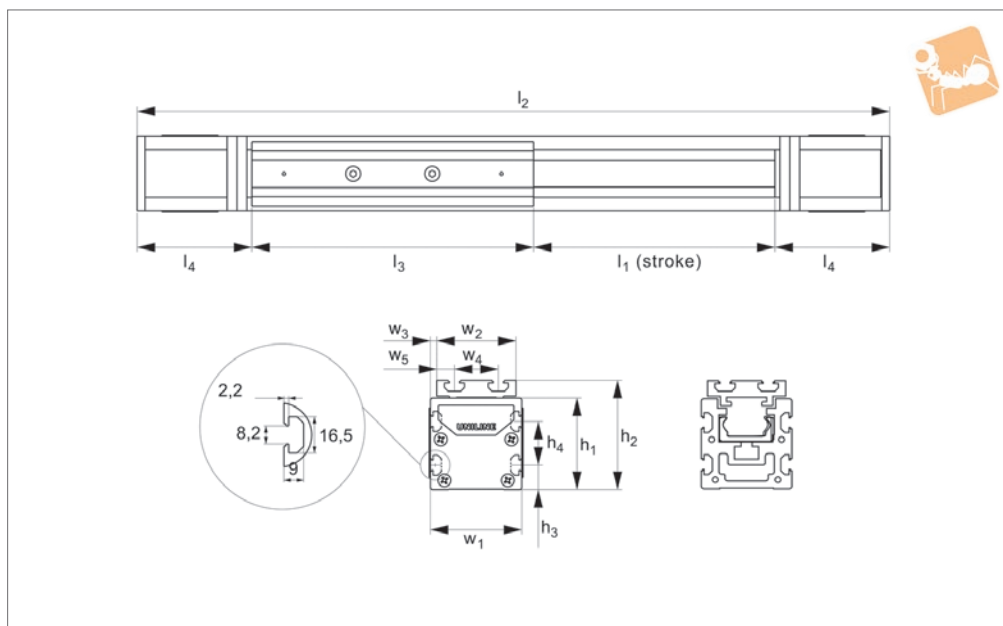
Important Notes

For loads with low moment loads.

Order No.	l_1	l_2	l_3	h_1 & w_1	h_2	h_3	l_4	w_2	w_3	C_{0ax} N	C_{0rad} N	M_x Nm	M_y Nm	M_z Nm
L3001.A40-0100	100	448	165	40	51.5	14	91.5	30	5	300	820	2.8	5.6	13.1
L3001.A40-0200	200	548	165	40	51.5	14	91.5	30	5	300	820	2.8	5.6	13.1
L3001.A40-0300	300	648	165	40	51.5	14	91.5	30	5	300	820	2.8	5.6	13.1
L3001.A40-0400	400	748	165	40	51.5	14	91.5	30	5	300	820	2.8	5.6	13.1
L3001.A40-0500	500	848	165	40	51.5	14	91.5	30	5	300	820	2.8	5.6	13.1
L3001.A40-0600	600	948	165	40	51.5	14	91.5	30	5	300	820	2.8	5.6	13.1
L3001.A40-0700	700	1048	165	40	51.5	14	91.5	30	5	300	820	2.8	5.6	13.1
L3001.A40-0800	800	1148	165	40	51.5	14	91.5	30	5	300	820	2.8	5.6	13.1
L3001.A40-0900	900	1248	165	40	51.5	14	91.5	30	5	300	820	2.8	5.6	13.1
L3001.A40-1000	1000	1348	165	40	51.5	14	91.5	30	5	300	820	2.8	5.6	13.1
L3001.A40-1100	1100	1448	165	40	51.5	14	91.5	30	5	300	820	2.8	5.6	13.1
L3001.A40-1200	1200	1548	165	40	51.5	14	91.5	30	5	300	820	2.8	5.6	13.1
L3001.A40-1300	1300	1648	165	40	51.5	14	91.5	30	5	300	820	2.8	5.6	13.1
L3001.A40-1400	1400	1748	165	40	51.5	14	91.5	30	5	300	820	2.8	5.6	13.1
L3001.A40-1500	1500	1848	165	40	51.5	14	91.5	30	5	300	820	2.8	5.6	13.1
L3001.A40-1600	1600	1948	165	40	51.5	14	91.5	30	5	300	820	2.8	5.6	13.1
L3001.A40-1700	1700	2048	165	40	51.5	14	91.5	30	5	300	820	2.8	5.6	13.1
L3001.A40-1800	1800	2148	165	40	51.5	14	91.5	30	5	300	820	2.8	5.6	13.1
L3001.A40-1900	1900	2248	165	40	51.5	14	91.5	30	5	300	820	2.8	5.6	13.1



L3001.A55



Material

Special sliders on a single hardened steel rail, encased in an aluminium profile.

Technical Notes

Any length overall stroke unit can be supplied (up to 3,0 metres in a single section) for the A55 series. Longer strokes

available.

Longer carriages and double carriages are available which increase the load capacity of the units.

Tips

See technical pages for more information on belt specification, long carriages,

double carriages and motor connections.

Can easily be combined to make an XY, XYZ or other set up gantry system.

Important Notes

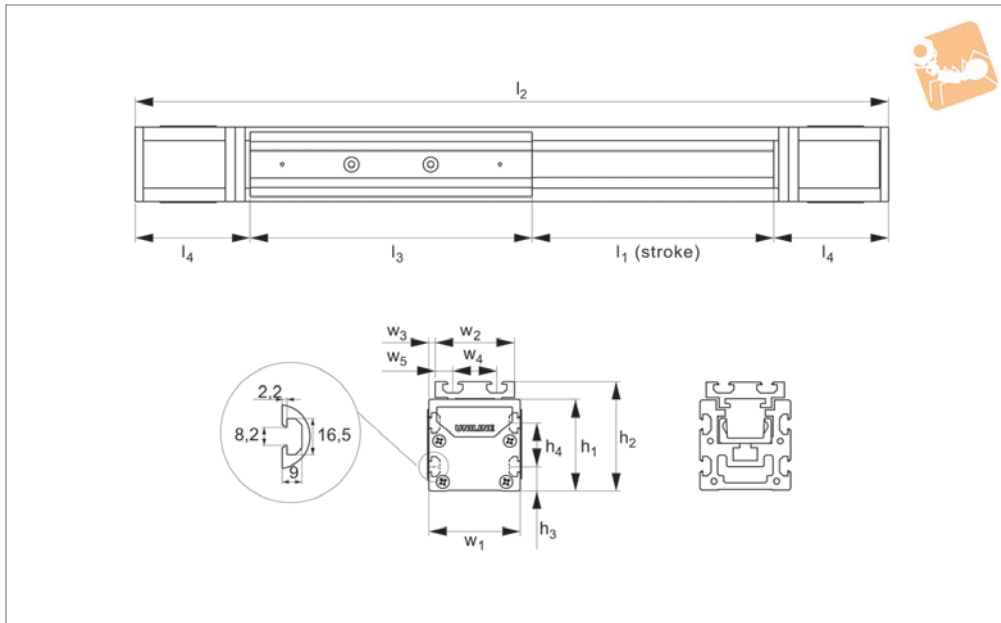
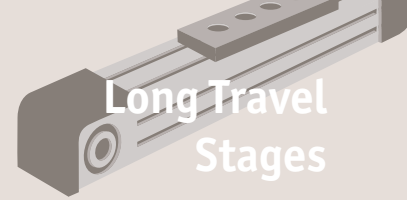
For loads with low moment loads.

Order No.	l_1	l_2	l_3	h_1 & w_1	h_2	h_3	h_4	l_4	w_2	w_3	w_4	w_5	C_{0ax} N	C_{0rad} N	M_x Nm	M_y Nm	M_z Nm
L3001.A55-0100	100	516	200	55	71	15	25	108	52	1.5	28	12	750	2175	11.5	21.7	54.5
L3001.A55-0200	200	616	200	55	71	15	25	108	52	1.5	28	12	750	2175	11.5	21.7	54.5
L3001.A55-0300	300	716	200	55	71	15	25	108	52	1.5	28	12	750	2175	11.5	21.7	54.5
L3001.A55-0400	400	816	200	55	71	15	25	108	52	1.5	28	12	750	2175	11.5	21.7	54.5
L3001.A55-0500	500	916	200	55	71	15	25	108	52	1.5	28	12	750	2175	11.5	21.7	54.5
L3001.A55-0600	600	1016	200	55	71	15	25	108	52	1.5	28	12	750	2175	11.5	21.7	54.5
L3001.A55-0700	700	1116	200	55	71	15	25	108	52	1.5	28	12	750	2175	11.5	21.7	54.5
L3001.A55-0800	800	1216	200	55	71	15	25	108	52	1.5	28	12	750	2175	11.5	21.7	54.5
L3001.A55-0900	900	1316	200	55	71	15	25	108	52	1.5	28	12	750	2175	11.5	21.7	54.5
L3001.A55-1000	1000	1416	200	55	71	15	25	108	52	1.5	28	12	750	2175	11.5	21.7	54.5
L3001.A55-1100	1100	1516	200	55	71	15	25	108	52	1.5	28	12	750	2175	11.5	21.7	54.5
L3001.A55-1200	1200	1616	200	55	71	15	25	108	52	1.5	28	12	750	2175	11.5	21.7	54.5
L3001.A55-1300	1300	1716	200	55	71	15	25	108	52	1.5	28	12	750	2175	11.5	21.7	54.5
L3001.A55-1400	1400	1816	200	55	71	15	25	108	52	1.5	28	12	750	2175	11.5	21.7	54.5
L3001.A55-1500	1500	1916	200	55	71	15	25	108	52	1.5	28	12	750	2175	11.5	21.7	54.5
L3001.A55-1600	1600	2016	200	55	71	15	25	108	52	1.5	28	12	750	2175	11.5	21.7	54.5
L3001.A55-1700	1700	2116	200	55	71	15	25	108	52	1.5	28	12	750	2175	11.5	21.7	54.5
L3001.A55-1800	1800	2216	200	55	71	15	25	108	52	1.5	28	12	750	2175	11.5	21.7	54.5
L3001.A55-1900	1900	2316	200	55	71	15	25	108	52	1.5	28	12	750	2175	11.5	21.7	54.5
L3001.A55-2000	2000	2416	200	55	71	15	25	108	52	1.5	28	12	750	2175	11.5	21.7	54.5
L3001.A55-2100	2100	2516	200	55	71	15	25	108	52	1.5	28	12	750	2175	11.5	21.7	54.5
L3001.A55-2200	2200	2616	200	55	71	15	25	108	52	1.5	28	12	750	2175	11.5	21.7	54.5
L3001.A55-2300	2300	2716	200	55	71	15	25	108	52	1.5	28	12	750	2175	11.5	21.7	54.5
L3001.A55-2400	2400	2816	200	55	71	15	25	108	52	1.5	28	12	750	2175	11.5	21.7	54.5
L3001.A55-2500	2500	2916	200	55	71	15	25	108	52	1.5	28	12	750	2175	11.5	21.7	54.5
L3001.A55-2600	2600	3016	200	55	71	15	25	108	52	1.5	28	12	750	2175	11.5	21.7	54.5
L3001.A55-2700	2700	3116	200	55	71	15	25	108	52	1.5	28	12	750	2175	11.5	21.7	54.5
L3001.A55-2800	2800	3216	200	55	71	15	25	108	52	1.5	28	12	750	2175	11.5	21.7	54.5
L3001.A55-2900	2900	3316	200	55	71	15	25	108	52	1.5	28	12	750	2175	11.5	21.7	54.5
L3001.A55-3000	3000	3416	200	55	71	15	25	108	52	1.5	28	12	750	2175	11.5	21.7	54.5



Heavy Duty Belt Driven Unit

size 75



L3001.A75

LONG TRAVEL STAGES

Material

Special sliders on a single hardened steel rail, encased in an aluminium profile.

Technical Notes

Any length overall stroke unit can be supplied (up to 3,4 metres in a single section) for the A75 series. Longer strokes

available.

Longer carriages and double carriages are available which increase the load capacity of the units.

Tips

See technical pages for more information on belt specification, long carriages,

double carriages and motor connections. Can easily be combined to make an XY, XYZ or other set up gantry system.

Important Notes

For loads with low moment loads.

Order No.	l_1	l_2	l_3	h_1 & w_1	h_2	h_3	h_4	l_4	w_2	w_3	w_4	w_5	C_{0ax} N	C_{0rad} N	M_x Nm	M_y Nm	M_z Nm
L3001.A75-0100	100	617	285	75	90	20	35	116	65	5	36	14.5	1855	5500	43.6	81.5	209
L3001.A75-0200	200	717	285	75	90	20	35	116	65	5	36	14.5	1855	5500	43.6	81.5	209
L3001.A75-0300	300	817	285	75	90	20	35	116	65	5	36	14.5	1855	5500	43.6	81.5	209
L3001.A75-0400	400	917	285	75	90	20	35	116	65	5	36	14.5	1855	5500	43.6	81.5	209
L3001.A75-0500	500	1017	285	75	90	20	35	116	65	5	36	14.5	1855	5500	43.6	81.5	209
L3001.A75-0600	600	1117	285	75	90	20	35	116	65	5	36	14.5	1855	5500	43.6	81.5	209
L3001.A75-0700	700	1217	285	75	90	20	35	116	65	5	36	14.5	1855	5500	43.6	81.5	209
L3001.A75-0800	800	1317	285	75	90	20	35	116	65	5	36	14.5	1855	5500	43.6	81.5	209
L3001.A75-0900	900	1417	285	75	90	20	35	116	65	5	36	14.5	1855	5500	43.6	81.5	209
L3001.A75-1000	1000	1517	285	75	90	20	35	116	65	5	36	14.5	1855	5500	43.6	81.5	209
L3001.A75-1100	1100	1617	285	75	90	20	35	116	65	5	36	14.5	1855	5500	43.6	81.5	209
L3001.A75-1200	1200	1717	285	75	90	20	35	116	65	5	36	14.5	1855	5500	43.6	81.5	209
L3001.A75-1300	1300	1817	285	75	90	20	35	116	65	5	36	14.5	1855	5500	43.6	81.5	209
L3001.A75-1400	1400	1917	285	75	90	20	35	116	65	5	36	14.5	1855	5500	43.6	81.5	209
L3001.A75-1500	1500	2017	285	75	90	20	35	116	65	5	36	14.5	1855	5500	43.6	81.5	209
L3001.A75-1600	1600	2117	285	75	90	20	35	116	65	5	36	14.5	1855	5500	43.6	81.5	209
L3001.A75-1700	1700	2217	285	75	90	20	35	116	65	5	36	14.5	1855	5500	43.6	81.5	209
L3001.A75-1800	1800	2317	285	75	90	20	35	116	65	5	36	14.5	1855	5500	43.6	81.5	209
L3001.A75-1900	1900	2417	285	75	90	20	35	116	65	5	36	14.5	1855	5500	43.6	81.5	209
L3001.A75-2000	2000	2517	285	75	90	20	35	116	65	5	36	14.5	1855	5500	43.6	81.5	209
L3001.A75-2100	2100	2617	285	75	90	20	35	116	65	5	36	14.5	1855	5500	43.6	81.5	209
L3001.A75-2200	2200	2717	285	75	90	20	35	116	65	5	36	14.5	1855	5500	43.6	81.5	209
L3001.A75-2300	2300	2817	285	75	90	20	35	116	65	5	36	14.5	1855	5500	43.6	81.5	209
L3001.A75-2400	2400	2917	285	75	90	20	35	116	65	5	36	14.5	1855	5500	43.6	81.5	209
L3001.A75-2500	2500	3017	285	75	90	20	35	116	65	5	36	14.5	1855	5500	43.6	81.5	209
L3001.A75-2600	2600	3117	285	75	90	20	35	116	65	5	36	14.5	1855	5500	43.6	81.5	209
L3001.A75-2700	2700	3217	285	75	90	20	35	116	65	5	36	14.5	1855	5500	43.6	81.5	209
L3001.A75-2800	2800	3317	285	75	90	20	35	116	65	5	36	14.5	1855	5500	43.6	81.5	209
L3001.A75-2900	2900	3417	285	75	90	20	35	116	65	5	36	14.5	1855	5500	43.6	81.5	209
L3001.A75-3000	3000	3517	285	75	90	20	35	116	65	5	36	14.5	1855	5500	43.6	81.5	209

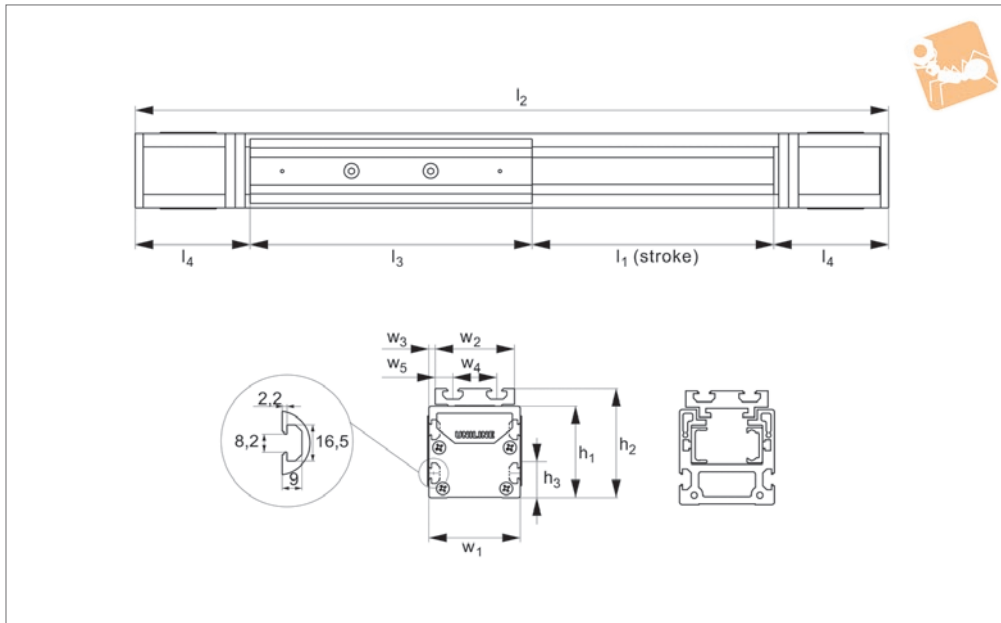
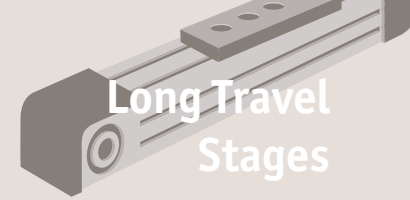


Order No.	l_1	l_2	l_3	h_1 & w_1	h_2	h_3	h_4	l_4	w_2	w_3	w_4	w_5	C_{Oax} N	C_{Orad} N	M_x Nm	M_y Nm	M_z Nm
L3001.A75-3100	3100	3617	285	75	90	20	35	116	65	5	36	14.5	1855	5500	43.6	81.5	209
L3001.A75-3200	3400	3917	285	75	90	20	35	116	65	5	36	14.5	1855	5500	43.6	81.5	209
L3001.A75-3300	3200	3717	285	75	90	20	35	116	65	5	36	14.5	1855	5500	43.6	81.5	209
L3001.A75-3400	3300	3817	285	75	90	20	35	116	65	5	36	14.5	1855	5500	43.6	81.5	209



Medium Duty Belt Driven Unit

size 55



L3003.C55

LONG TRAVEL STAGES

Material

Special sliders on a pair of hardened steel rails, encased in an aluminium profile.

Technical Notes

Any length overall stroke unit can be supplied (up to 1,9 metres in a single section) for the C55 series. Longer strokes

available.

Longer carriages and double carriages are available which increase the load capacity of the units.

Tips

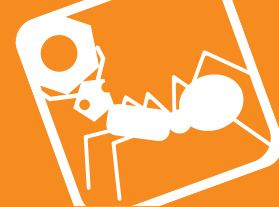
See technical pages for more information on belt specification, long carriages,

double carriages and motor connections. Can easily be combined to make an XY, XYZ or other set up gantry system.

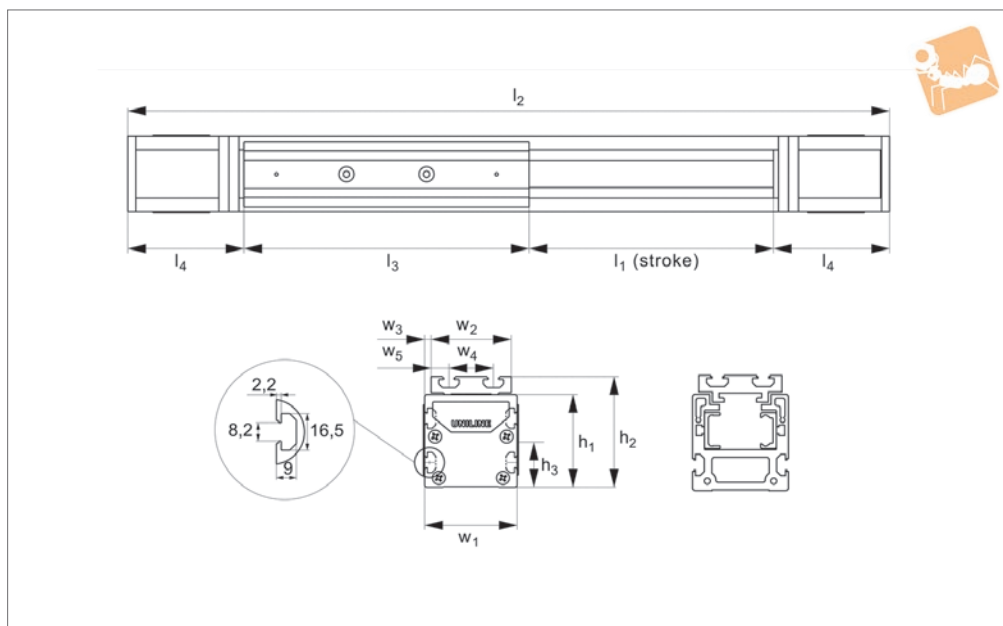
Important Notes

For loads with significant M_y moment loads.

Order No.	l_1	l_2	h_3	l_3	h_1 & w_1	h_2	l_4	w_2	w_3	w_4	w_5	C_{0ax} N	C_{0rad} N	M_x Nm	M_y Nm	M_z Nm
L3003.C55-0100	100	516	15	200	55	71	108	52	1.5	28	12	1640	300	18.5	65.6	11.7
L3003.C55-0200	200	616	15	200	55	71	108	52	1.5	28	12	1640	300	18.5	65.6	11.7
L3003.C55-0300	300	716	15	200	55	71	108	52	1.5	28	12	1640	300	18.5	65.6	11.7
L3003.C55-0400	400	816	15	200	55	71	108	52	1.5	28	12	1640	300	18.5	65.6	11.7
L3003.C55-0500	500	916	15	200	55	71	108	52	1.5	28	12	1640	300	18.5	65.6	11.7
L3003.C55-0600	600	1016	15	200	55	71	108	52	1.5	28	12	1640	300	18.5	65.6	11.7
L3003.C55-0700	700	1116	15	200	55	71	108	52	1.5	28	12	1640	300	18.5	65.6	11.7
L3003.C55-0800	800	1216	15	200	55	71	108	52	1.5	28	12	1640	300	18.5	65.6	11.7
L3003.C55-0900	900	1316	15	200	55	71	108	52	1.5	28	12	1640	300	18.5	65.6	11.7
L3003.C55-1000	1000	1416	15	200	55	71	108	52	1.5	28	12	1640	300	18.5	65.6	11.7
L3003.C55-1100	1100	1516	15	200	55	71	108	52	1.5	28	12	1640	300	18.5	65.6	11.7
L3003.C55-1200	1200	1616	15	200	55	71	108	52	1.5	28	12	1640	300	18.5	65.6	11.7
L3003.C55-1300	1300	1716	15	200	55	71	108	52	1.5	28	12	1640	300	18.5	65.6	11.7
L3003.C55-1400	1400	1816	15	200	55	71	108	52	1.5	28	12	1640	300	18.5	65.6	11.7
L3003.C55-1500	1500	1916	15	200	55	71	108	52	1.5	28	12	1640	300	18.5	65.6	11.7
L3003.C55-1600	1600	2016	15	200	55	71	108	52	1.5	28	12	1640	300	18.5	65.6	11.7
L3003.C55-1700	1700	2116	15	200	55	71	108	52	1.5	28	12	1640	300	18.5	65.6	11.7
L3003.C55-1800	1800	2216	15	200	55	71	108	52	1.5	28	12	1640	300	18.5	65.6	11.7



L3003.C75



Material

Special sliders on a pair of hardened steel rails, encased in an aluminium profile.

Technical Notes

Any length overall stroke unit can be supplied (up to 3,0 metres in a single section) for the C75 series. Longer strokes

available.

Longer carriages and double carriages are available which increase the load capacity of the units.

Tips

See technical pages for more information on belt specification, long carriages,

double carriages and motor connections.

Can easily be combined to make an XY, XYZ or other set up gantry system.

Important Notes

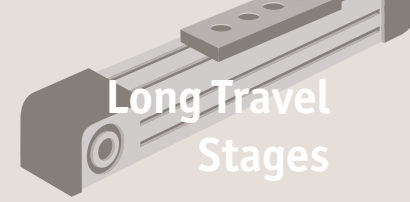
For loads with significant M_y moment loads.

Order No.	l_1	l_2	h_3	l_3	h_1 & w_1	h_2	l_4	w_2	w_3	w_4	w_5	C_{Oax} N	C_{Orad} N	M_x Nm	M_y Nm	M_z Nm
L3003.C75-0100	100	617	20	285	75	90	116	65	5	36	14.5	4350	750	85.2	217	36.1
L3003.C75-0200	200	717	20	285	75	90	116	65	5	36	14.5	4350	750	85.2	217	36.1
L3003.C75-0300	300	817	20	285	75	90	116	65	5	36	14.5	4350	750	85.2	217	36.1
L3003.C75-0400	400	917	20	285	75	90	116	65	5	36	14.5	4350	750	85.2	217	36.1
L3003.C75-0500	500	1017	20	285	75	90	116	65	5	36	14.5	4350	750	85.2	217	36.1
L3003.C75-0600	600	1117	20	285	75	90	116	65	5	36	14.5	4350	750	85.2	217	36.1
L3003.C75-0700	700	1217	20	285	75	90	116	65	5	36	14.5	4350	750	85.2	217	36.1
L3003.C75-0800	800	1317	20	285	75	90	116	65	5	36	14.5	4350	750	85.2	217	36.1
L3003.C75-0900	900	1417	20	285	75	90	116	65	5	36	14.5	4350	750	85.2	217	36.1
L3003.C75-1000	1000	1517	20	285	75	90	116	65	5	36	14.5	4350	750	85.2	217	36.1
L3003.C75-1100	1100	1617	20	285	75	90	116	65	5	36	14.5	4350	750	85.2	217	36.1
L3003.C75-1200	1200	1717	20	285	75	90	116	65	5	36	14.5	4350	750	85.2	217	36.1
L3003.C75-1300	1300	1817	20	285	75	90	116	65	5	36	14.5	4350	750	85.2	217	36.1
L3003.C75-1400	1400	1917	20	285	75	90	116	65	5	36	14.5	4350	750	85.2	217	36.1
L3003.C75-1500	1500	2017	20	285	75	90	116	65	5	36	14.5	4350	750	85.2	217	36.1
L3003.C75-1600	1600	2117	20	285	75	90	116	65	5	36	14.5	4350	750	85.2	217	36.1
L3003.C75-1700	1700	2217	20	285	75	90	116	65	5	36	14.5	4350	750	85.2	217	36.1
L3003.C75-1800	1800	2317	20	285	75	90	116	65	5	36	14.5	4350	750	85.2	217	36.1
L3003.C75-1900	1900	2417	20	285	75	90	116	65	5	36	14.5	4350	750	85.2	217	36.1
L3003.C75-2000	2000	2517	20	285	75	90	116	65	5	36	14.5	4350	750	85.2	217	36.1
L3003.C75-2100	2100	2617	20	285	75	90	116	65	5	36	14.5	4350	750	85.2	217	36.1
L3003.C75-2200	2200	2717	20	285	75	90	116	65	5	36	14.5	4350	750	85.2	217	36.1
L3003.C75-2300	2300	2817	20	285	75	90	116	65	5	36	14.5	4350	750	85.2	217	36.1
L3003.C75-2400	2400	2917	20	285	75	90	116	65	5	36	14.5	4350	750	85.2	217	36.1
L3003.C75-2500	2500	3017	20	285	75	90	116	65	5	36	14.5	4350	750	85.2	217	36.1
L3003.C75-2600	2600	3117	20	285	75	90	116	65	5	36	14.5	4350	750	85.2	217	36.1
L3003.C75-2700	2700	3217	20	285	75	90	116	65	5	36	14.5	4350	750	85.2	217	36.1
L3003.C75-2800	2800	3317	20	285	75	90	116	65	5	36	14.5	4350	750	85.2	217	36.1
L3003.C75-2900	2900	3417	20	285	75	90	116	65	5	36	14.5	4350	750	85.2	217	36.1
L3003.C75-3000	3000	3517	20	285	75	90	116	65	5	36	14.5	4350	750	85.2	217	36.1

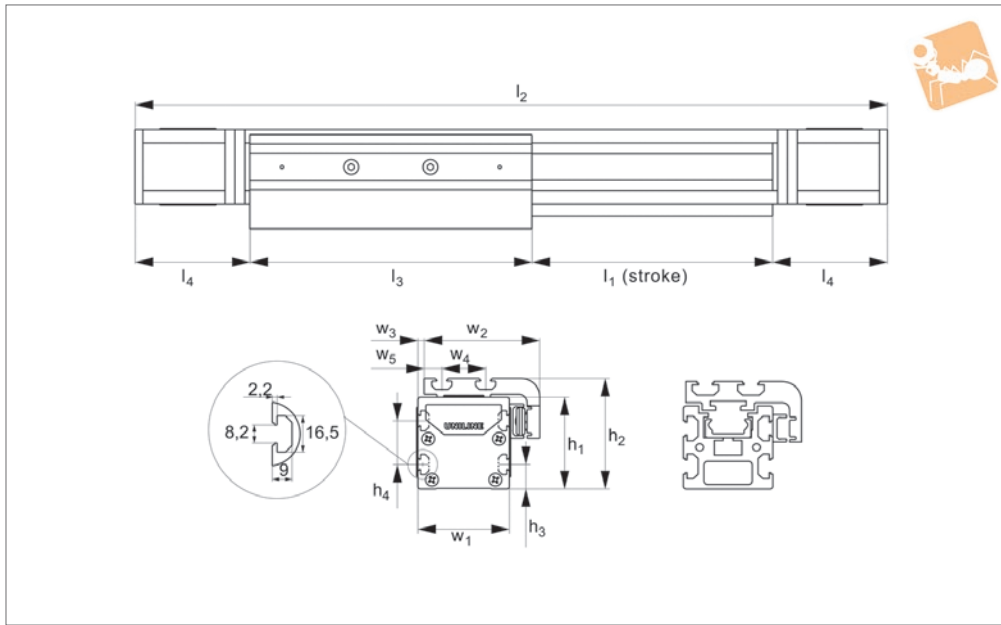


Medium Duty Belt Driven Unit

size 55



Long Travel Stages



L3004.E55

LONG TRAVEL STAGES

Material

Special sliders on a pair of hardened steel rails, encased in an aluminium profile.

Technical Notes

Any length overall stroke unit can be supplied (up to 3,0 metres in a single section) for the E55 series. Longer strokes

available.

Longer carriages and double carriages are available which increase the load capacity of the units.

Tips

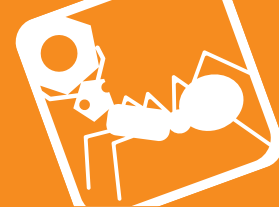
See technical pages for more information on belt specification, long carriages,

double carriages and motor connections. Can easily be combined to make an XY, XYZ or other set up gantry system.

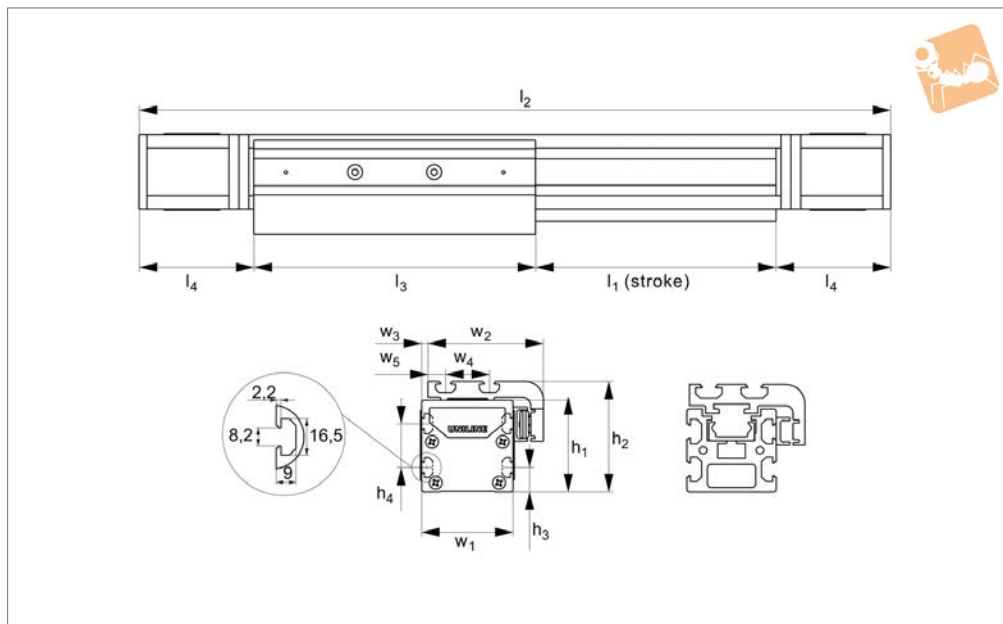
Important Notes

For extra rigidity and where significant M_x moment loads are present.

Order No.	l_1	l_2	l_3	l_4	h_1 & w_1	h_2	h_3	h_4	w_2	w_3	w_4	w_5	C_{0ax} N	C_{0rad} N	M_x Nm	M_y Nm	M_z Nm
L3004.E55-0100	100	516	200	108	55	71	15	25	71	1.5	28	12	1500	2175	25.5	43.4	54.4
L3004.E55-0200	200	616	200	108	55	71	15	25	71	1.5	28	12	1500	2175	25.5	43.4	54.4
L3004.E55-0300	300	716	200	108	55	71	15	25	71	1.5	28	12	1500	2175	25.5	43.4	54.4
L3004.E55-0400	400	816	200	108	55	71	15	25	71	1.5	28	12	1500	2175	25.5	43.4	54.4
L3004.E55-0500	500	916	200	108	55	71	15	25	71	1.5	28	12	1500	2175	25.5	43.4	54.4
L3004.E55-0600	600	1016	200	108	55	71	15	25	71	1.5	28	12	1500	2175	25.5	43.4	54.4
L3004.E55-0700	700	1116	200	108	55	71	15	25	71	1.5	28	12	1500	2175	25.5	43.4	54.4
L3004.E55-0800	800	1216	200	108	55	71	15	25	71	1.5	28	12	1500	2175	25.5	43.4	54.4
L3004.E55-0900	900	1316	200	108	55	71	15	25	71	1.5	28	12	1500	2175	25.5	43.4	54.4
L3004.E55-1000	1000	1416	200	108	55	71	15	25	71	1.5	28	12	1500	2175	25.5	43.4	54.4
L3004.E55-1100	1100	1516	200	108	55	71	15	25	71	1.5	28	12	1500	2175	25.5	43.4	54.4
L3004.E55-1200	1200	1616	200	108	55	71	15	25	71	1.5	28	12	1500	2175	25.5	43.4	54.4
L3004.E55-1300	1300	1716	200	108	55	71	15	25	71	1.5	28	12	1500	2175	25.5	43.4	54.4
L3004.E55-1400	1400	1816	200	108	55	71	15	25	71	1.5	28	12	1500	2175	25.5	43.4	54.4
L3004.E55-1500	1500	1916	200	108	55	71	15	25	71	1.5	28	12	1500	2175	25.5	43.4	54.4
L3004.E55-1600	1600	2016	200	108	55	71	15	25	71	1.5	28	12	1500	2175	25.5	43.4	54.4
L3004.E55-1700	1700	2116	200	108	55	71	15	25	71	1.5	28	12	1500	2175	25.5	43.4	54.4
L3004.E55-1800	1800	2216	200	108	55	71	15	25	71	1.5	28	12	1500	2175	25.5	43.4	54.4
L3004.E55-1900	1900	2316	200	108	55	71	15	25	71	1.5	28	12	1500	2175	25.5	43.4	54.4
L3004.E55-2000	2000	2416	200	108	55	71	15	25	71	1.5	28	12	1500	2175	25.5	43.4	54.4
L3004.E55-2100	2100	2516	200	108	55	71	15	25	71	1.5	28	12	1500	2175	25.5	43.4	54.4
L3004.E55-2200	2200	2616	200	108	55	71	15	25	71	1.5	28	12	1500	2175	25.5	43.4	54.4
L3004.E55-2300	2300	2716	200	108	55	71	15	25	71	1.5	28	12	1500	2175	25.5	43.4	54.4
L3004.E55-2400	2400	2816	200	108	55	71	15	25	71	1.5	28	12	1500	2175	25.5	43.4	54.4
L3004.E55-2500	2500	2916	200	108	55	71	15	25	71	1.5	28	12	1500	2175	25.5	43.4	54.4
L3004.E55-2600	2600	3016	200	108	55	71	15	25	71	1.5	28	12	1500	2175	25.5	43.4	54.4
L3004.E55-2700	2700	3116	200	108	55	71	15	25	71	1.5	28	12	1500	2175	25.5	43.4	54.4
L3004.E55-2800	2800	3216	200	108	55	71	15	25	71	1.5	28	12	1500	2175	25.5	43.4	54.4
L3004.E55-2900	2900	3316	200	108	55	71	15	25	71	1.5	28	12	1500	2175	25.5	43.4	54.4
L3004.E55-3000	3000	3416	200	108	55	71	15	25	71	1.5	28	12	1500	2175	25.5	43.4	54.4



L3004.E75



Material

Special sliders on a pair of hardened steel rails, encased in an aluminium profile.

Technical Notes

Any length overall stroke unit can be supplied (up to 3,4 metres in a single section) for the E75 series. Longer strokes

available.

Longer carriages and double carriages are available which increase the load capacity of the units.

Tips

See technical pages for more information on belt specification, long carriages,

double carriages and motor connections.

Can easily be combined to make an XY, XYZ or other set up gantry system.

Important Notes

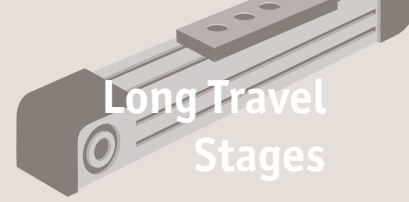
For extra rigidity and where significant M_x moment loads are present.

Order No.	l_1	l_2	l_3	l_4	h_1 & w_1	h_2	h_3	h_4	w_2	w_3	w_4	w_5	C_{0ax} N	C_{0rad} N	M_x Nm	M_y Nm	M_z Nm
L3004.E75-0100	100	617	285	116	75	90	20	35	135	5	36	14.5	3710	5500	85.5	163	209
L3004.E75-0200	200	717	285	116	75	90	20	35	135	5	36	14.5	3710	5500	85.5	163	209
L3004.E75-0300	300	817	285	116	75	90	20	35	135	5	36	14.5	3710	5500	85.5	163	209
L3004.E75-0400	400	917	285	116	75	90	20	35	135	5	36	14.5	3710	5500	85.5	163	209
L3004.E75-0500	500	1017	285	116	75	90	20	35	135	5	36	14.5	3710	5500	85.5	163	209
L3004.E75-0600	600	1117	285	116	75	90	20	35	135	5	36	14.5	3710	5500	85.5	163	209
L3004.E75-0700	700	1217	285	116	75	90	20	35	135	5	36	14.5	3710	5500	85.5	163	209
L3004.E75-0800	800	1317	285	116	75	90	20	35	135	5	36	14.5	3710	5500	85.5	163	209
L3004.E75-0900	900	1417	285	116	75	90	20	35	135	5	36	14.5	3710	5500	85.5	163	209
L3004.E75-1000	1000	1517	285	116	75	90	20	35	135	5	36	14.5	3710	5500	85.5	163	209
L3004.E75-1100	1100	1617	285	116	75	90	20	35	135	5	36	14.5	3710	5500	85.5	163	209
L3004.E75-1200	1200	1717	285	116	75	90	20	35	135	5	36	14.5	3710	5500	85.5	163	209
L3004.E75-1300	1300	1817	285	116	75	90	20	35	135	5	36	14.5	3710	5500	85.5	163	209
L3004.E75-1400	1400	1917	285	116	75	90	20	35	135	5	36	14.5	3710	5500	85.5	163	209
L3004.E75-1500	1500	2017	285	116	75	90	20	35	135	5	36	14.5	3710	5500	85.5	163	209
L3004.E75-1600	1600	2117	285	116	75	90	20	35	135	5	36	14.5	3710	5500	85.5	163	209
L3004.E75-1700	1700	2217	285	116	75	90	20	35	135	5	36	14.5	3710	5500	85.5	163	209
L3004.E75-1800	1800	2317	285	116	75	90	20	35	135	5	36	14.5	3710	5500	85.5	163	209
L3004.E75-1900	1900	2417	285	116	75	90	20	35	135	5	36	14.5	3710	5500	85.5	163	209
L3004.E75-2000	2000	2517	285	116	75	90	20	35	135	5	36	14.5	3710	5500	85.5	163	209
L3004.E75-2100	2100	2617	285	116	75	90	20	35	135	5	36	14.5	3710	5500	85.5	163	209
L3004.E75-2200	2200	2717	285	116	75	90	20	35	135	5	36	14.5	3710	5500	85.5	163	209
L3004.E75-2300	2300	2817	285	116	75	90	20	35	135	5	36	14.5	3710	5500	85.5	163	209
L3004.E75-2400	2400	2917	285	116	75	90	20	35	135	5	36	14.5	3710	5500	85.5	163	209
L3004.E75-2500	2500	3017	285	116	75	90	20	35	135	5	36	14.5	3710	5500	85.5	163	209
L3004.E75-2600	2600	3117	285	116	75	90	20	35	135	5	36	14.5	3710	5500	85.5	163	209
L3004.E75-2700	2700	3217	285	116	75	90	20	35	135	5	36	14.5	3710	5500	85.5	163	209
L3004.E75-2800	2800	3317	285	116	75	90	20	35	135	5	36	14.5	3710	5500	85.5	163	209
L3004.E75-2900	2900	3417	285	116	75	90	20	35	135	5	36	14.5	3710	5500	85.5	163	209
L3004.E75-3000	3000	3517	285	116	75	90	20	35	135	5	36	14.5	3710	5500	85.5	163	209



Heavy Duty Belt Driven Unit

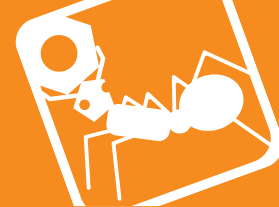
size 75



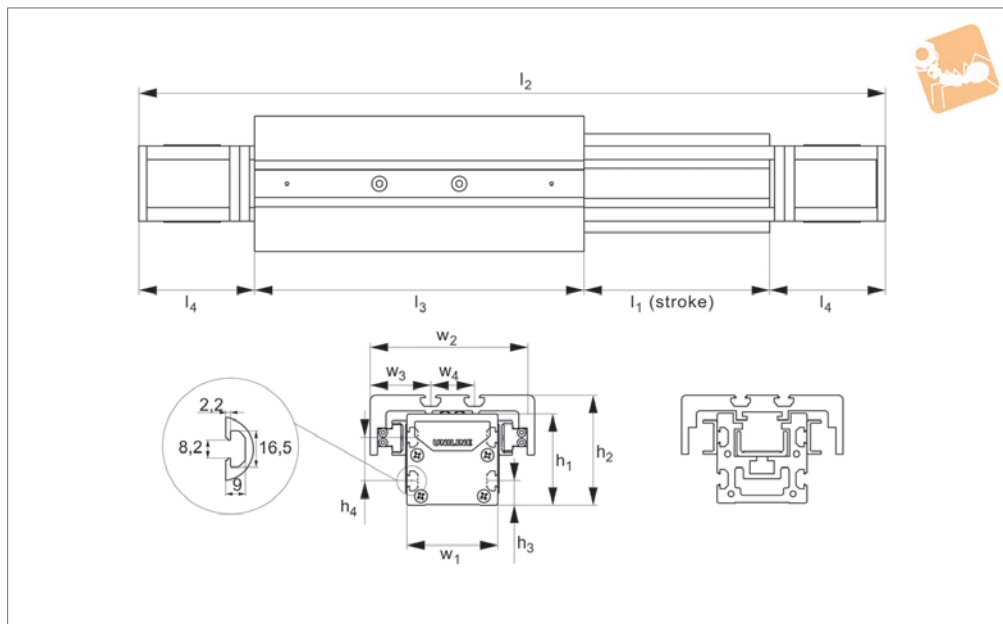
Long Travel Stages

Order No.	l_1	l_2	l_3	l_4	h_1 & w_1	h_2	h_3	h_4	w_2	w_3	w_4	w_5	C_{0ax} N	C_{0rad} N	M_x Nm	M_y Nm	M_z Nm
L3004.E75-3100	3100	3617	285	116	75	90	20	35	135	5	36	14.5	3710	5500	85.5	163	209
L3004.E75-3200	3200	3717	285	116	75	90	20	35	135	5	36	14.5	3710	5500	85.5	163	209
L3004.E75-3300	3300	3817	285	116	75	90	20	35	135	5	36	14.5	3710	5500	85.5	163	209
L3004.E75-3400	3400	3917	285	116	75	90	20	35	135	5	36	14.5	3710	5500	85.5	163	209

LONG TRAVEL STAGES



L3004.ED75



Material

Special sliders on three hardened steel rails, encased in an aluminium profile.

Technical Notes

Any length overall stroke unit can be supplied (up to 2,9 metres in a single section) for the ED75 series. Longer

strokes available.

Longer carriages and double carriages are available which increase the load capacity of the units.

Tips

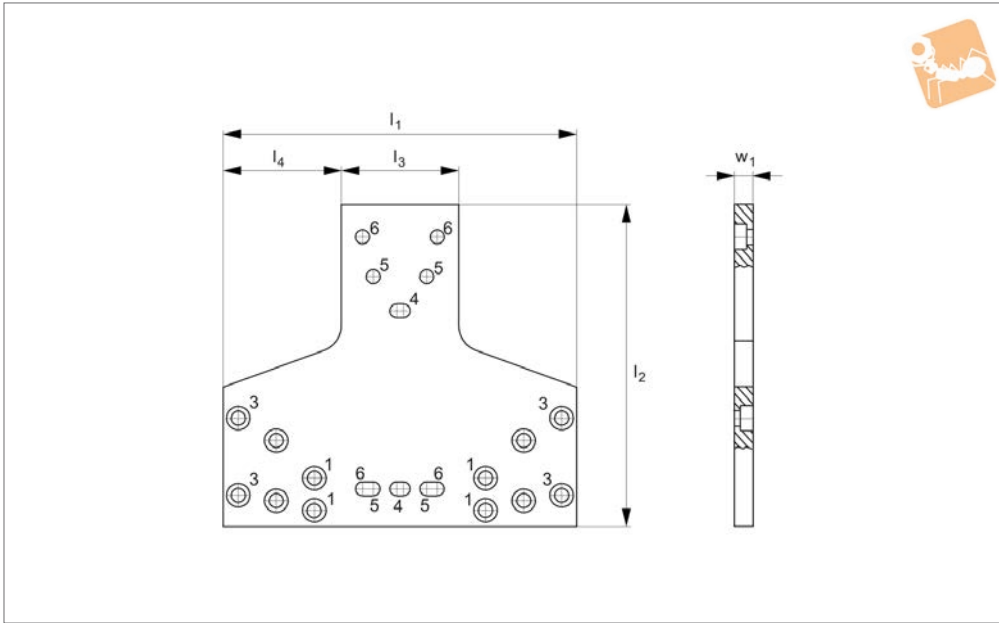
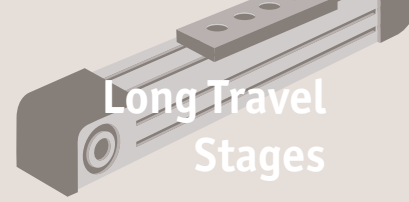
See technical pages for more information on belt specification, long carriages,

double carriages and motor connections. Can easily be combined to make an XY, XYZ or other set up gantry system.

Important Notes

For extra rigidity and where significant moment loads are present.

Order No.	l_1	l_2	l_3	l_4	h_1 & w_1	h_2	h_3	h_4	w_2	w_3	w_4	C_{0ax} N	C_{0rad} N	M_x Nm	M_y Nm	M_z Nm
L3004.ED75-0100	100	662	330	116	75	90	20	35	135	49.5	36	8700	5500	400	868	209
L3004.ED75-0200	200	762	330	116	75	90	20	35	135	49.5	36	8700	5500	400	868	209
L3004.ED75-0300	300	862	330	116	75	90	20	35	135	49.5	36	8700	5500	400	868	209
L3004.ED75-0400	400	962	330	116	75	90	20	35	135	49.5	36	8700	5500	400	868	209
L3004.ED75-0500	500	1062	330	116	75	90	20	35	135	49.5	36	8700	5500	400	868	209
L3004.ED75-0600	600	1162	330	116	75	90	20	35	135	49.5	36	8700	5500	400	868	209
L3004.ED75-0700	700	1262	330	116	75	90	20	35	135	49.5	36	8700	5500	400	868	209
L3004.ED75-0800	800	1362	330	116	75	90	20	35	135	49.5	36	8700	5500	400	868	209
L3004.ED75-0900	900	1462	330	116	75	90	20	35	135	49.5	36	8700	5500	400	868	209
L3004.ED75-1000	1000	1562	330	116	75	90	20	35	135	49.5	36	8700	5500	400	868	209
L3004.ED75-1100	1100	1662	330	116	75	90	20	35	135	49.5	36	8700	5500	400	868	209
L3004.ED75-1200	1200	1762	330	116	75	90	20	35	135	49.5	36	8700	5500	400	868	209
L3004.ED75-1300	1300	1862	330	116	75	90	20	35	135	49.5	36	8700	5500	400	868	209
L3004.ED75-1400	1400	1962	330	116	75	90	20	35	135	49.5	36	8700	5500	400	868	209
L3004.ED75-1500	1500	2062	330	116	75	90	20	35	135	49.5	36	8700	5500	400	868	209
L3004.ED75-1600	1600	2162	330	116	75	90	20	35	135	49.5	36	8700	5500	400	868	209
L3004.ED75-1700	1700	2262	330	116	75	90	20	35	135	49.5	36	8700	5500	400	868	209
L3004.ED75-1800	1800	2362	330	116	75	90	20	35	135	49.5	36	8700	5500	400	868	209
L3004.ED75-1900	1900	2462	330	116	75	90	20	35	135	49.5	36	8700	5500	400	868	209
L3004.ED75-2000	2000	2562	330	116	75	90	20	35	135	49.5	36	8700	5500	400	868	209
L3004.ED75-2100	2100	2662	330	160	75	90	20	35	135	49.5	36	8700	5500	400	868	209
L3004.ED75-2200	2200	2762	330	160	75	90	20	35	135	49.5	36	8700	5500	400	868	209
L3004.ED75-2300	2300	2862	330	160	75	90	20	35	135	49.5	36	8700	5500	400	868	209
L3004.ED75-2400	2400	2962	330	160	75	90	20	35	135	49.5	36	8700	5500	400	868	209
L3004.ED75-2500	2500	3062	330	160	75	90	20	35	135	49.5	36	8700	5500	400	868	209
L3004.ED75-2600	2600	3162	330	160	75	90	20	35	135	49.5	36	8700	5500	400	868	209
L3004.ED75-2700	2700	3262	330	160	75	90	20	35	135	49.5	36	8700	5500	400	868	209
L3004.ED75-2800	2800	3362	330	160	75	90	20	35	135	49.5	36	8700	5500	400	868	209
L3004.ED75-2900	2900	3462	330	160	75	90	20	35	135	49.5	36	8700	5500	400	868	209
L3004.ED75-3000	3000	3562	330	160	75	90	20	35	135	49.5	36	8700	5500	400	868	209



L3001.APC1

LONG TRAVEL STAGES

Material

Aluminium.

Technical Notes

Allows two units to be mounted perpendicularly to one another. Supplied with T-

nuts and bolts.

Tips

Not suitable for L3004.E and L3004.ED units.

Size 40 - use holes 1 for carriages and 4 for

profile.

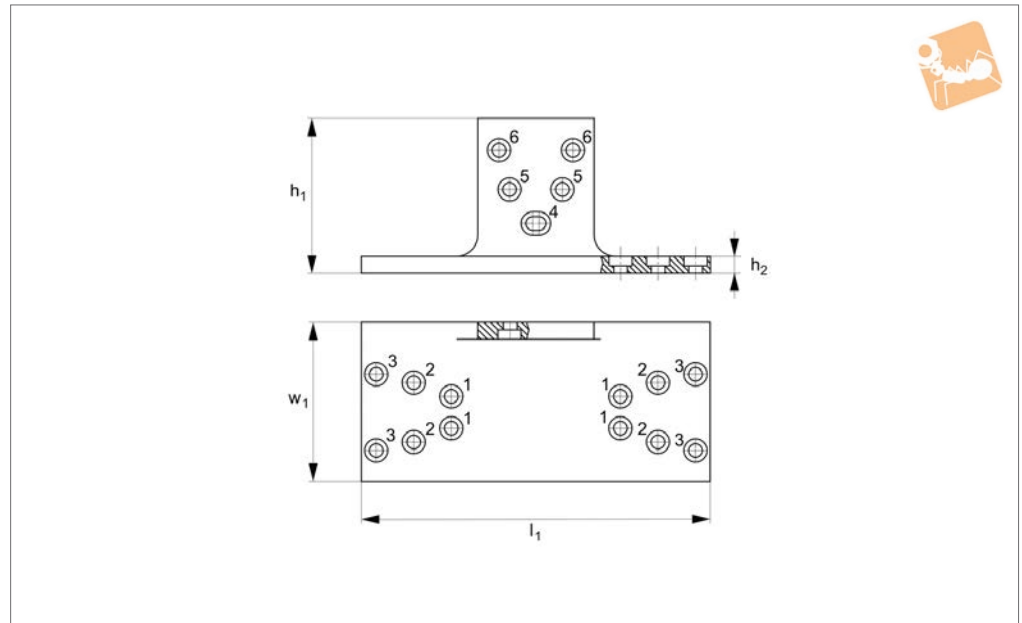
Size 55 - use holes 2 for carriages and 5 for profile.

Size 40 - use holes 3 for carriages and 6 for profile.

Order No.	l_1	l_2	l_3	l_4	w_1
L3001.APC-1	165	150	55	55	8



L3001.APC2



Material
Aluminium.

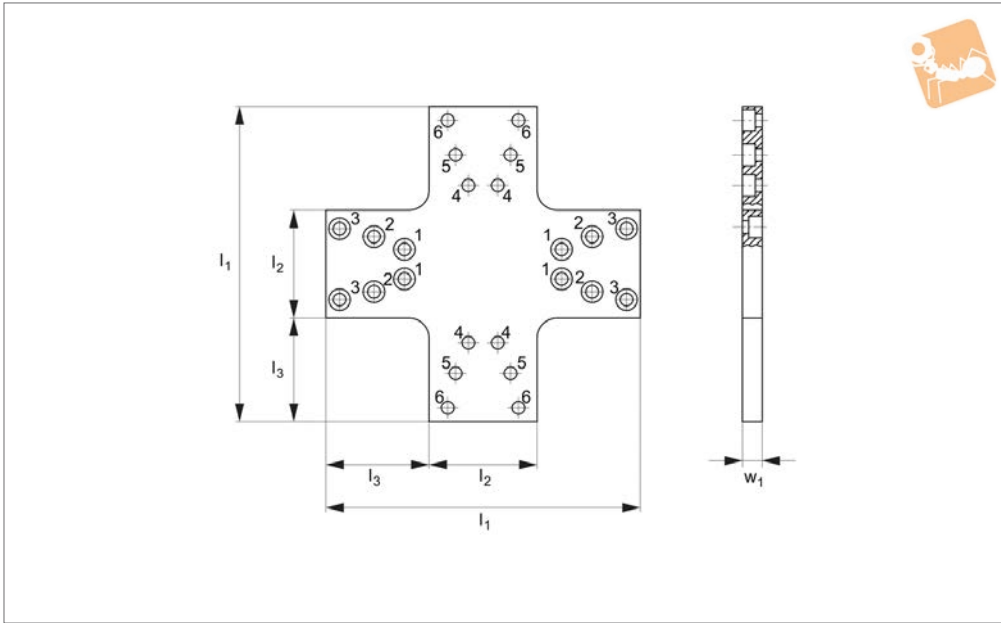
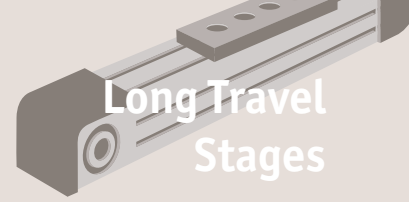
Technical Notes
Allows two units to be mounted at right angles to one another. Supplied with T-nuts and bolts.

The trolley of one unit can be mounted to the side of the other.

Tips
Not suitable for L3004.E and L3004.ED units.
Size 40 - use holes 1 for carriages and 4 for

profile.
Size 55 - use holes 2 for carriages and 5 for profile.
Size 40 - use holes 3 for carriages and 6 for profile.

Order No.	l_1	h_1	h_2	w_1
L3001.APC-2	165	73	8	75



L3001.APC3

LONG TRAVEL STAGES

Material

Aluminium.

Technical Notes

Allows two units to be mounted perpendicularly to one another. Supplied with T-

nuts and bolts.

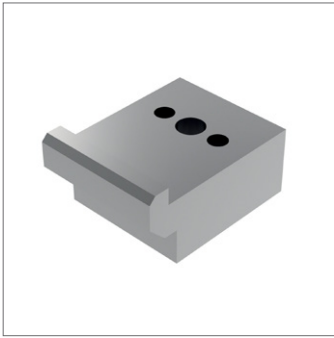
Tips

Size 40 - use holes 1 for carriages and 4 for profile.
 Size 55 - use holes 2 for carriages and 5 for

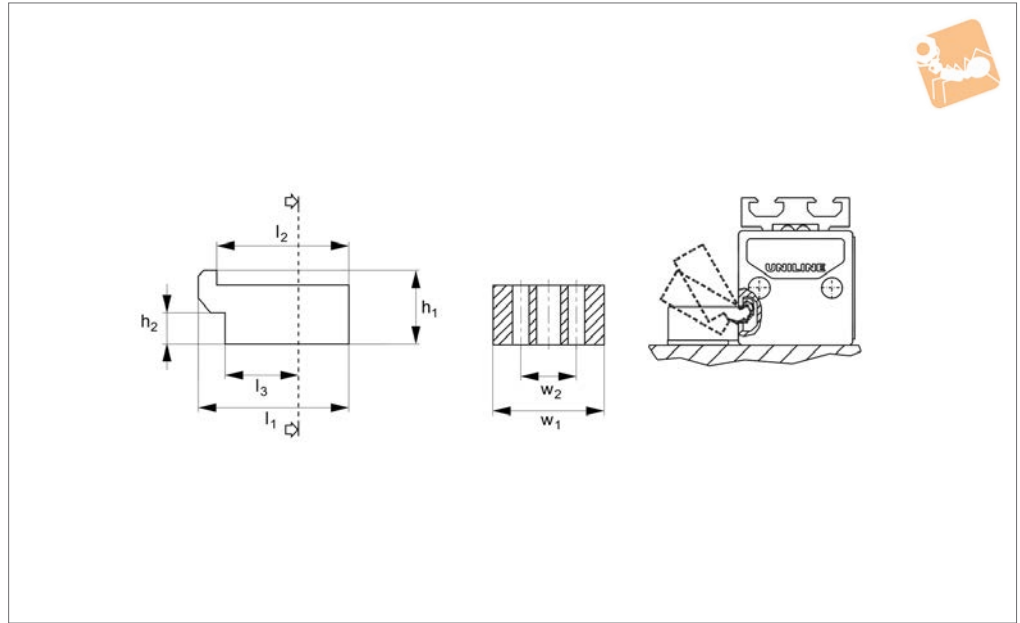
profile.

Size 40 - use holes 3 for carriages and 6 for profile.

Order No.	l_1	l_2	l_3	w_1
L3001.APC-3	160	55	52.5	10



L3001.APF2



Material
Aluminium.

Technical Notes
Used to bolt the Uniline units to a surface or to mount to units to one another with or

without an interface plate.
The clamps fit in the T-slots of any of the units.

Tips
Insert the lip of the clamp into the T slot of

the Uniline unit, position the clamp and if necessary shim to required height. Insert screws and tighten.
Not suitable for L3001.A100 units.

Order No.	l_1	h_1	h_2	l_2	l_3	w_1	w_2
L3001.APF-2	40	20	8.5	35	20	50	15