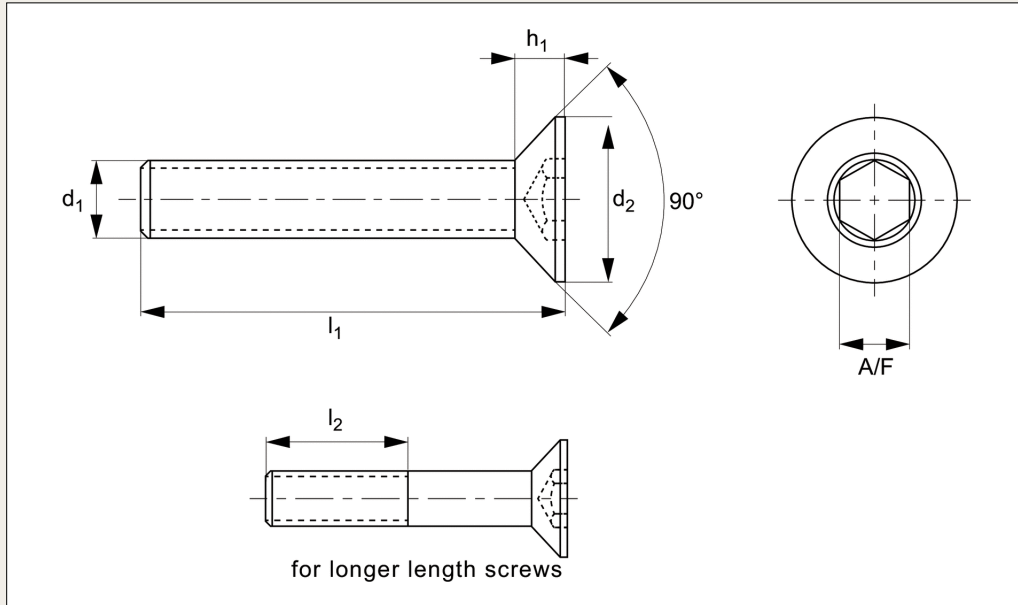


Socket Countersunk Machine Screws

Socket - A4 stainless

Standard Screws



P0222.A4

Material

Stainless steel A4.

To DIN 7991, ISO 10642. For the majority of screw lengths the threads go all the way to the head of the screw (i.e. $l_1 = l_2$) less 2.5 thread pitches.

For longer length screws the threaded portion l_2 .

Technical notes

See technical page for tightening torques.

| Order No. | d ₁ | l ₁ | d ₂ | l ₂ | h ₁ | A/F |
|------------------|----------------|----------------|----------------|----------------|----------------|-----|
| P0222.030-006-A4 | M 3 | 6 | 6 | - | 1,7 | 2,0 |
| P0222.030-008-A4 | M 3 | 8 | 6 | - | 1,7 | 2,0 |
| P0222.030-010-A4 | M 3 | 10 | 6 | - | 1,7 | 2,0 |
| P0222.030-012-A4 | M 3 | 12 | 6 | - | 1,7 | 2,0 |
| P0222.030-014-A4 | M 3 | 14 | 6 | 12 | 1,7 | 2,0 |
| P0222.030-016-A4 | M 3 | 16 | 6 | 12 | 1,7 | 2,0 |
| P0222.030-018-A4 | M 3 | 18 | 6 | 12 | 1,7 | 2,0 |
| P0222.030-020-A4 | M 3 | 20 | 6 | 12 | 1,7 | 2,0 |
| P0222.030-022-A4 | M 3 | 22 | 6 | 12 | 1,7 | 2,0 |
| P0222.030-025-A4 | M 3 | 25 | 6 | 12 | 1,7 | 2,0 |
| P0222.030-030-A4 | M 3 | 30 | 6 | 12 | 1,7 | 2,0 |
| P0222.030-035-A4 | M 3 | 35 | 6 | 12 | 1,7 | 2,0 |
| P0222.030-040-A4 | M 3 | 40 | 6 | 12 | 1,7 | 2,0 |
| P0222.040-006-A4 | M 4 | 6 | 8 | - | 2,3 | 2,5 |
| P0222.040-008-A4 | M 4 | 8 | 8 | - | 2,3 | 2,5 |
| P0222.040-010-A4 | M 4 | 10 | 8 | - | 2,3 | 2,5 |
| P0222.040-012-A4 | M 4 | 12 | 8 | - | 2,3 | 2,5 |
| P0222.040-014-A4 | M 4 | 14 | 8 | - | 2,3 | 2,5 |
| P0222.040-016-A4 | M 4 | 16 | 8 | 14 | 2,3 | 2,5 |
| P0222.040-018-A4 | M 4 | 18 | 8 | 14 | 2,3 | 2,5 |
| P0222.040-020-A4 | M 4 | 20 | 8 | 14 | 2,3 | 2,5 |
| P0222.040-022-A4 | M 4 | 22 | 8 | 14 | 2,3 | 2,5 |
| P0222.040-025-A4 | M 4 | 25 | 8 | 14 | 2,3 | 2,5 |
| P0222.040-030-A4 | M 4 | 30 | 8 | 14 | 2,3 | 2,5 |
| P0222.040-035-A4 | M 4 | 35 | 8 | 14 | 2,3 | 2,5 |
| P0222.040-040-A4 | M 4 | 40 | 8 | 14 | 2,3 | 2,5 |
| P0222.040-045-A4 | M 4 | 45 | 8 | 14 | 2,3 | 2,5 |
| P0222.040-050-A4 | M 4 | 50 | 8 | 14 | 2,3 | 2,5 |
| P0222.040-055-A4 | M 4 | 55 | 8 | 14 | 2,3 | 2,5 |
| P0222.040-060-A4 | M 4 | 60 | 8 | 14 | 2,3 | 2,5 |
| P0222.040-065-A4 | M 4 | 65 | 8 | 14 | 2,3 | 2,5 |
| P0222.040-070-A4 | M 4 | 70 | 8 | 14 | 2,3 | 2,5 |

Tel: 0333 207 4498

Created 2022-06-23

Email: sales@automotioncomponents.co.uk

Web: automotioncomponents.co.uk

AUTOMOTION[®]
COMPONENTS

| Order No. | d ₁ | l ₁ | d ₂ | l ₂ | h ₁ | A/F |
|------------------|----------------|----------------|----------------|----------------|----------------|-----|
| P0222.050-006-A4 | M 5 | 6 | 10 | - | 2,8 | 3,0 |
| P0222.050-008-A4 | M 5 | 8 | 10 | - | 2,8 | 3,0 |
| P0222.050-010-A4 | M 5 | 10 | 10 | - | 2,8 | 3,0 |
| P0222.050-012-A4 | M 5 | 12 | 10 | - | 2,8 | 3,0 |
| P0222.050-014-A4 | M 5 | 14 | 10 | - | 2,8 | 3,0 |
| P0222.050-016-A4 | M 5 | 16 | 10 | - | 2,8 | 3,0 |
| P0222.050-018-A4 | M 5 | 18 | 10 | 16 | 2,8 | 3,0 |
| P0222.050-020-A4 | M 5 | 20 | 10 | 16 | 2,8 | 3,0 |
| P0222.050-022-A4 | M 5 | 22 | 10 | 16 | 2,8 | 3,0 |
| P0222.050-025-A4 | M 5 | 25 | 10 | 16 | 2,8 | 3,0 |
| P0222.050-030-A4 | M 5 | 30 | 10 | 16 | 2,8 | 3,0 |
| P0222.050-035-A4 | M 5 | 35 | 10 | 16 | 2,8 | 3,0 |
| P0222.050-040-A4 | M 5 | 40 | 10 | 16 | 2,8 | 3,0 |
| P0222.050-045-A4 | M 5 | 45 | 10 | 16 | 2,8 | 3,0 |
| P0222.050-050-A4 | M 5 | 50 | 10 | 16 | 2,8 | 3,0 |
| P0222.050-055-A4 | M 5 | 55 | 10 | 16 | 2,8 | 3,0 |
| P0222.050-060-A4 | M 5 | 60 | 10 | 16 | 2,8 | 3,0 |
| P0222.050-065-A4 | M 5 | 65 | 10 | 16 | 2,8 | 3,0 |
| P0222.050-070-A4 | M 5 | 70 | 10 | 16 | 2,8 | 3,0 |
| P0222.050-075-A4 | M 5 | 75 | 10 | 16 | 2,8 | 3,0 |
| P0222.050-080-A4 | M 5 | 80 | 10 | 16 | 2,8 | 3,0 |
| P0222.050-085-A4 | M 5 | 85 | 10 | 16 | 2,8 | 3,0 |
| P0222.050-090-A4 | M 5 | 90 | 10 | 16 | 2,8 | 3,0 |
| P0222.050-095-A4 | M 5 | 95 | 10 | 16 | 2,8 | 3,0 |
| P0222.050-100-A4 | M 5 | 100 | 10 | 16 | 2,8 | 3,0 |
| P0222.060-008-A4 | M 6 | 8 | 12,0 | - | 3,30 | 4,0 |
| P0222.060-010-A4 | M 6 | 10 | 12,0 | - | 3,30 | 4,0 |
| P0222.060-012-A4 | M 6 | 12 | 12,0 | - | 3,30 | 4,0 |
| P0222.060-014-A4 | M 6 | 14 | 12,0 | - | 3,30 | 4,0 |
| P0222.060-016-A4 | M 6 | 16 | 12,0 | - | 3,30 | 4,0 |
| P0222.060-018-A4 | M 6 | 18 | 12,0 | - | 3,30 | 4,0 |
| P0222.060-020-A4 | M 6 | 20 | 12,0 | 18 | 3,30 | 4,0 |
| P0222.060-022-A4 | M 6 | 22 | 12,0 | 18 | 3,30 | 4,0 |
| P0222.060-025-A4 | M 6 | 25 | 12,0 | 18 | 3,30 | 4,0 |
| P0222.060-030-A4 | M 6 | 30 | 12,0 | 18 | 3,30 | 4,0 |
| P0222.060-035-A4 | M 6 | 35 | 12,0 | 18 | 3,30 | 4,0 |
| P0222.060-040-A4 | M 6 | 40 | 12,0 | 18 | 3,30 | 4,0 |
| P0222.060-045-A4 | M 6 | 45 | 12,0 | 18 | 3,30 | 4,0 |
| P0222.060-050-A4 | M 6 | 50 | 12,0 | 18 | 3,30 | 4,0 |
| P0222.060-055-A4 | M 6 | 55 | 12,0 | 18 | 3,30 | 4,0 |
| P0222.060-060-A4 | M 6 | 60 | 12,0 | 18 | 3,30 | 4,0 |
| P0222.060-065-A4 | M 6 | 65 | 12,0 | 18 | 3,30 | 4,0 |
| P0222.060-070-A4 | M 6 | 70 | 12,0 | 18 | 3,30 | 4,0 |
| P0222.060-075-A4 | M 6 | 75 | 12,0 | 18 | 3,30 | 4,0 |
| P0222.060-080-A4 | M 6 | 80 | 12,0 | 18 | 3,30 | 4,0 |
| P0222.060-085-A4 | M 6 | 85 | 12,0 | 18 | 3,30 | 4,0 |
| P0222.060-090-A4 | M 6 | 90 | 12,0 | 18 | 3,30 | 4,0 |
| P0222.060-095-A4 | M 6 | 95 | 12,0 | 18 | 3,30 | 4,0 |
| P0222.060-100-A4 | M 6 | 100 | 12,0 | 18 | 3,30 | 4,0 |
| P0222.080-010-A4 | M 8 | 10 | 16,0 | - | 4,40 | 5,0 |
| P0222.080-012-A4 | M 8 | 12 | 16,0 | - | 4,40 | 5,0 |
| P0222.080-014-A4 | M 8 | 14 | 16,0 | - | 4,40 | 5,0 |
| P0222.080-016-A4 | M 8 | 16 | 16,0 | - | 4,40 | 5,0 |
| P0222.080-018-A4 | M 8 | 18 | 16,0 | - | 4,40 | 5,0 |
| P0222.080-020-A4 | M 8 | 20 | 16,0 | - | 4,40 | 5,0 |
| P0222.080-022-A4 | M 8 | 22 | 16,0 | - | 4,40 | 5,0 |
| P0222.080-025-A4 | M 8 | 25 | 16,0 | 22 | 4,40 | 5,0 |
| P0222.080-030-A4 | M 8 | 30 | 16,0 | 22 | 4,40 | 5,0 |
| P0222.080-035-A4 | M 8 | 35 | 16,0 | 22 | 4,40 | 5,0 |

| Order No. | d ₁ | l ₁ | d ₂ | l ₂ | h ₁ | A/F |
|------------------|----------------|----------------|----------------|----------------|----------------|-----|
| P0222.080-040-A4 | M 8 | 40 | 16,0 | 22 | 4,40 | 5,0 |
| P0222.080-045-A4 | M 8 | 45 | 16,0 | 22 | 4,40 | 5,0 |
| P0222.080-050-A4 | M 8 | 50 | 16,0 | 22 | 4,40 | 5,0 |
| P0222.080-055-A4 | M 8 | 55 | 16,0 | 22 | 4,40 | 5,0 |
| P0222.080-060-A4 | M 8 | 60 | 16,0 | 22 | 4,40 | 5,0 |
| P0222.080-065-A4 | M 8 | 65 | 16,0 | 22 | 4,40 | 5,0 |
| P0222.080-070-A4 | M 8 | 70 | 16,0 | 22 | 4,40 | 5,0 |
| P0222.080-075-A4 | M 8 | 75 | 16,0 | 22 | 4,40 | 5,0 |
| P0222.080-080-A4 | M 8 | 80 | 16,0 | 22 | 4,40 | 5,0 |
| P0222.080-085-A4 | M 8 | 85 | 16,0 | 22 | 4,40 | 5,0 |
| P0222.080-090-A4 | M 8 | 90 | 16,0 | 22 | 4,40 | 5,0 |
| P0222.080-095-A4 | M 8 | 95 | 16,0 | 22 | 4,40 | 5,0 |
| P0222.080-100-A4 | M 8 | 100 | 16,0 | 22 | 4,40 | 5,0 |
| P0222.080-110-A4 | M 8 | 110 | 16,0 | 22 | 4,40 | 5,0 |
| P0222.080-120-A4 | M 8 | 120 | 16,0 | 22 | 4,40 | 5,0 |
| P0222.080-130-A4 | M 8 | 130 | 16,0 | 22 | 4,40 | 5,0 |
| P0222.080-140-A4 | M 8 | 140 | 16,0 | 22 | 4,40 | 5,0 |
| P0222.080-150-A4 | M 8 | 150 | 16,0 | 22 | 4,40 | 5,0 |
| P0222.080-160-A4 | M 8 | 160 | 16,0 | 22 | 4,40 | 5,0 |
| P0222.100-016-A4 | M10 | 16 | 20,0 | - | 5,50 | 6,0 |
| P0222.100-018-A4 | M10 | 18 | 20,0 | - | 5,50 | 6,0 |
| P0222.100-020-A4 | M10 | 20 | 20,0 | - | 5,50 | 6,0 |
| P0222.100-022-A4 | M10 | 22 | 20,0 | - | 5,50 | 6,0 |
| P0222.100-025-A4 | M10 | 25 | 20,0 | - | 5,50 | 6,0 |
| P0222.100-030-A4 | M10 | 30 | 20,0 | 26 | 5,50 | 6,0 |
| P0222.100-035-A4 | M10 | 35 | 20,0 | 26 | 5,50 | 6,0 |
| P0222.100-040-A4 | M10 | 40 | 20,0 | 26 | 5,50 | 6,0 |
| P0222.100-045-A4 | M10 | 45 | 20,0 | 26 | 5,50 | 6,0 |
| P0222.100-050-A4 | M10 | 50 | 20,0 | 26 | 5,50 | 6,0 |
| P0222.100-055-A4 | M10 | 55 | 20,0 | 26 | 5,50 | 6,0 |
| P0222.100-060-A4 | M10 | 60 | 20,0 | 26 | 5,50 | 6,0 |
| P0222.100-065-A4 | M10 | 65 | 20,0 | 26 | 5,50 | 6,0 |
| P0222.100-070-A4 | M10 | 70 | 20,0 | 26 | 5,50 | 6,0 |
| P0222.100-075-A4 | M10 | 75 | 20,0 | 26 | 5,50 | 6,0 |
| P0222.100-080-A4 | M10 | 80 | 20,0 | 26 | 5,50 | 6,0 |
| P0222.100-085-A4 | M10 | 85 | 20,0 | 26 | 5,50 | 6,0 |
| P0222.100-090-A4 | M10 | 90 | 20,0 | 26 | 5,50 | 6,0 |
| P0222.100-095-A4 | M10 | 95 | 20,0 | 26 | 5,50 | 6,0 |
| P0222.100-100-A4 | M10 | 100 | 20,0 | 26 | 5,50 | 6,0 |
| P0222.100-110-A4 | M10 | 110 | 20,0 | 26 | 5,50 | 6,0 |
| P0222.100-120-A4 | M10 | 120 | 20,0 | 26 | 5,50 | 6,0 |
| P0222.100-130-A4 | M10 | 130 | 20,0 | 26 | 5,50 | 6,0 |
| P0222.100-140-A4 | M10 | 140 | 20,0 | 26 | 5,50 | 6,0 |
| P0222.100-150-A4 | M10 | 150 | 20,0 | 26 | 5,50 | 6,0 |
| P0222.100-160-A4 | M10 | 160 | 20,0 | 26 | 5,50 | 6,0 |
| P0222.120-016-A4 | M12 | 16 | 24,0 | - | 6,50 | 8,0 |
| P0222.120-018-A4 | M12 | 18 | 24,0 | - | 6,50 | 8,0 |
| P0222.120-020-A4 | M12 | 20 | 24,0 | - | 6,50 | 8,0 |
| P0222.120-022-A4 | M12 | 22 | 24,0 | - | 6,50 | 8,0 |
| P0222.120-025-A4 | M12 | 25 | 24,0 | - | 6,50 | 8,0 |
| P0222.120-030-A4 | M12 | 30 | 24,0 | - | 6,50 | 8,0 |
| P0222.120-035-A4 | M12 | 35 | 24,0 | 30 | 6,50 | 8,0 |
| P0222.120-040-A4 | M12 | 40 | 24,0 | 30 | 6,50 | 8,0 |
| P0222.120-045-A4 | M12 | 45 | 24,0 | 30 | 6,50 | 8,0 |
| P0222.120-050-A4 | M12 | 50 | 24,0 | 30 | 6,50 | 8,0 |
| P0222.120-055-A4 | M12 | 55 | 24,0 | 30 | 6,50 | 8,0 |
| P0222.120-060-A4 | M12 | 60 | 24,0 | 30 | 6,50 | 8,0 |
| P0222.120-065-A4 | M12 | 65 | 24,0 | 30 | 6,50 | 8,0 |
| P0222.120-070-A4 | M12 | 70 | 24,0 | 30 | 6,50 | 8,0 |
| P0222.120-075-A4 | M12 | 75 | 24,0 | 30 | 6,50 | 8,0 |

| Order No. | d ₁ | l ₁ | d ₂ | l ₂ | h ₁ | A/F |
|------------------|----------------|----------------|----------------|----------------|----------------|------|
| P0222.120-080-A4 | M12 | 80 | 24,0 | 30 | 6,50 | 8,0 |
| P0222.120-085-A4 | M12 | 85 | 24,0 | 30 | 6,50 | 8,0 |
| P0222.120-090-A4 | M12 | 90 | 24,0 | 30 | 6,50 | 8,0 |
| P0222.120-095-A4 | M12 | 95 | 24,0 | 30 | 6,50 | 8,0 |
| P0222.120-100-A4 | M12 | 100 | 24,0 | 30 | 6,50 | 8,0 |
| P0222.120-110-A4 | M12 | 110 | 24,0 | 30 | 6,50 | 8,0 |
| P0222.120-120-A4 | M12 | 120 | 24,0 | 30 | 6,50 | 8,0 |
| P0222.120-130-A4 | M12 | 130 | 24,0 | 30 | 6,50 | 8,0 |
| P0222.120-140-A4 | M12 | 140 | 24,0 | 30 | 6,50 | 8,0 |
| P0222.120-150-A4 | M12 | 150 | 24,0 | 30 | 6,50 | 8,0 |
| P0222.120-160-A4 | M12 | 160 | 24,0 | 30 | 6,50 | 8,0 |
| P0222.160-025-A4 | M16 | 25 | 30,0 | - | 7,50 | 10,0 |
| P0222.160-030-A4 | M16 | 30 | 30,0 | - | 7,50 | 10,0 |
| P0222.160-035-A4 | M16 | 35 | 30,0 | - | 7,50 | 10,0 |
| P0222.160-040-A4 | M16 | 40 | 30,0 | 38 | 7,50 | 10,0 |
| P0222.160-045-A4 | M16 | 45 | 30,0 | 38 | 7,50 | 10,0 |
| P0222.160-050-A4 | M16 | 50 | 30,0 | 38 | 7,50 | 10,0 |
| P0222.160-055-A4 | M16 | 55 | 30,0 | 38 | 7,50 | 10,0 |
| P0222.160-060-A4 | M16 | 60 | 30,0 | 38 | 7,50 | 10,0 |
| P0222.160-065-A4 | M16 | 65 | 30,0 | 38 | 7,50 | 10,0 |
| P0222.160-070-A4 | M16 | 70 | 30,0 | 38 | 7,50 | 10,0 |
| P0222.160-075-A4 | M16 | 75 | 30,0 | 38 | 7,50 | 10,0 |
| P0222.160-080-A4 | M16 | 80 | 30,0 | 38 | 7,50 | 10,0 |
| P0222.160-085-A4 | M16 | 85 | 30,0 | 38 | 7,50 | 10,0 |
| P0222.160-090-A4 | M16 | 90 | 30,0 | 38 | 7,50 | 10,0 |
| P0222.160-095-A4 | M16 | 95 | 30,0 | 38 | 7,50 | 10,0 |
| P0222.160-100-A4 | M16 | 100 | 30,0 | 38 | 7,50 | 10,0 |
| P0222.160-110-A4 | M16 | 110 | 30,0 | 38 | 7,50 | 10,0 |
| P0222.160-120-A4 | M16 | 120 | 30,0 | 38 | 7,50 | 10,0 |
| P0222.160-130-A4 | M16 | 130 | 30,0 | 38 | 7,50 | 10,0 |
| P0222.160-140-A4 | M16 | 140 | 30,0 | 38 | 7,50 | 10,0 |
| P0222.160-150-A4 | M16 | 150 | 30,0 | 38 | 7,50 | 10,0 |
| P0222.160-160-A4 | M16 | 160 | 30,0 | 38 | 7,50 | 10,0 |
| P0222.200-035-A4 | M20 | 35 | 36,0 | - | 8,50 | 12,0 |
| P0222.200-040-A4 | M20 | 40 | 36,0 | - | 8,50 | 12,0 |
| P0222.200-045-A4 | M20 | 45 | 36,0 | - | 8,50 | 12,0 |
| P0222.200-050-A4 | M20 | 50 | 36,0 | 46 | 8,50 | 12,0 |
| P0222.200-055-A4 | M20 | 55 | 36,0 | 46 | 8,50 | 12,0 |
| P0222.200-060-A4 | M20 | 60 | 36,0 | 46 | 8,50 | 12,0 |
| P0222.200-065-A4 | M20 | 65 | 36,0 | 46 | 8,50 | 12,0 |
| P0222.200-070-A4 | M20 | 70 | 36,0 | 46 | 8,50 | 12,0 |
| P0222.200-075-A4 | M20 | 75 | 36,0 | 46 | 8,50 | 12,0 |
| P0222.200-080-A4 | M20 | 80 | 36,0 | 46 | 8,50 | 12,0 |
| P0222.200-085-A4 | M20 | 85 | 36,0 | 46 | 8,50 | 12,0 |
| P0222.200-090-A4 | M20 | 90 | 36,0 | 46 | 8,50 | 12,0 |
| P0222.200-095-A4 | M20 | 95 | 36,0 | 46 | 8,50 | 12,0 |
| P0222.200-100-A4 | M20 | 100 | 36,0 | 46 | 8,50 | 12,0 |
| P0222.200-110-A4 | M20 | 110 | 36,0 | 46 | 8,50 | 12,0 |
| P0222.200-120-A4 | M20 | 120 | 36,0 | 46 | 8,50 | 12,0 |
| P0222.200-130-A4 | M20 | 130 | 36,0 | 46 | 8,50 | 12,0 |
| P0222.200-140-A4 | M20 | 140 | 36,0 | 46 | 8,50 | 12,0 |
| P0222.200-150-A4 | M20 | 150 | 36,0 | 46 | 8,50 | 12,0 |
| P0222.200-160-A4 | M20 | 160 | 36,0 | 46 | 8,50 | 12,0 |
| P0222.240-050-A4 | M24 | 50 | 39,0 | - | 14,0 | 14,0 |
| P0222.240-055-A4 | M24 | 55 | 39,0 | - | 14,0 | 14,0 |
| P0222.240-060-A4 | M24 | 60 | 39,0 | 54 | 14,0 | 14,0 |
| P0222.240-065-A4 | M24 | 65 | 39,0 | 54 | 14,0 | 14,0 |
| P0222.240-070-A4 | M24 | 70 | 39,0 | 54 | 14,0 | 14,0 |
| P0222.240-075-A4 | M24 | 75 | 39,0 | 54 | 14,0 | 14,0 |

Socket Countersunk Machine Screws

Socket - A4 stainless

Standard Screws

| Order No. | d ₁ | l ₁ | d ₂ | l ₂ | h ₁ | A/F |
|------------------|----------------|----------------|----------------|----------------|----------------|------|
| P0222.240-080-A4 | M24 | 80 | 39,0 | 54 | 14,0 | 14,0 |
| P0222.240-085-A4 | M24 | 85 | 39,0 | 54 | 14,0 | 14,0 |
| P0222.240-090-A4 | M24 | 90 | 39,0 | 54 | 14,0 | 14,0 |
| P0222.240-095-A4 | M24 | 95 | 39,0 | 54 | 14,0 | 14,0 |
| P0222.240-100-A4 | M24 | 100 | 39,0 | 54 | 14,0 | 14,0 |
| P0222.240-110-A4 | M24 | 110 | 39,0 | 54 | 14,0 | 14,0 |
| P0222.240-120-A4 | M24 | 120 | 39,0 | 54 | 14,0 | 14,0 |
| P0222.240-130-A4 | M24 | 130 | 39,0 | 54 | 14,0 | 14,0 |
| P0222.240-140-A4 | M24 | 140 | 39,0 | 54 | 14,0 | 14,0 |
| P0222.240-150-A4 | M24 | 150 | 39,0 | 54 | 14,0 | 14,0 |
| P0222.240-160-A4 | M24 | 160 | 39,0 | 54 | 14,0 | 14,0 |