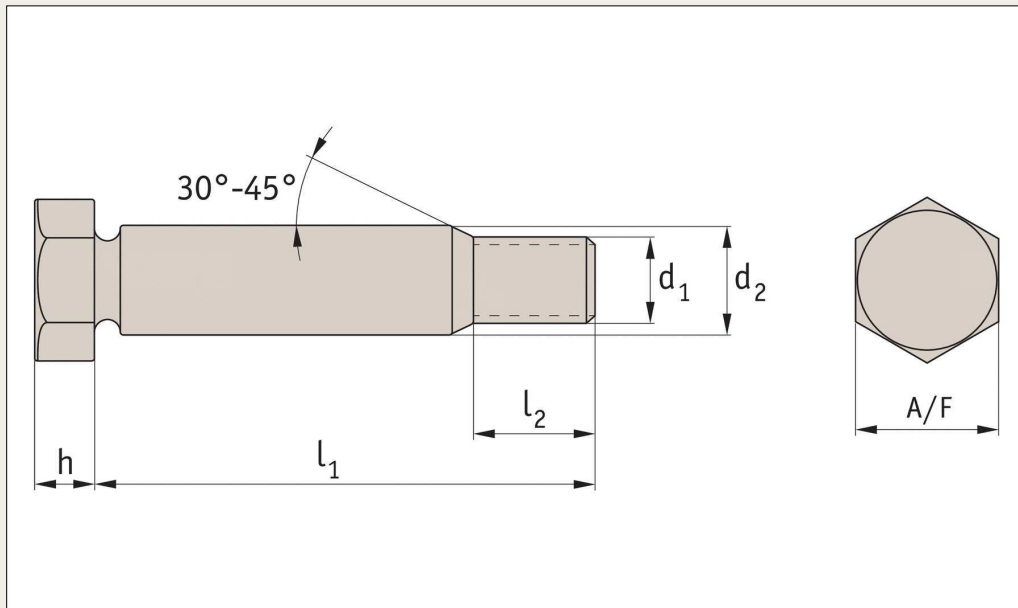


Steel Shoulder Bolts - Hex. Head

std thread, steel 8.8

Shoulder Screws



P0138.SC

Material

Black alloy steel, strength 8,8.
Hardness 38 HRC, tensile strength
830 N/mm².

To DIN 609. Longer thread than
P0140 (DIN 610).
For strength 10.9 see part P0139.

Tips

Do not tighten to standard strength
class 8,8 torque; as the tightening
torque is limited,
by the presence of the reduced
diameter undercut under the head
and at the shoulder/thread area.
Drill hole to H7 tolerance.

Technical notes

Order No.	d ₁	d ₂ k6	l ₁	l ₂	h	A/F
P0138.080-025-SC	M 8	9	25	14,5	5,3	13
P0138.080-024-SC	M 8	9	24	14,5	5,3	13
P0138.080-032-SC	M 8	9	32	14,5	5,3	13
P0138.080-035-SC	M 8	9	35	14,5	5,3	13
P0138.080-038-SC	M 8	9	38	14,5	5,3	13
P0138.080-040-SC	M 8	9	40	14,5	5,3	13
P0138.080-042-SC	M 8	9	42	14,5	5,3	13
P0138.080-045-SC	M 8	9	45	14,5	5,3	13
P0138.080-048-SC	M 8	9	48	14,5	5,3	13
P0138.080-050-SC	M 8	9	50	14,5	5,3	13
P0138.080-055-SC	M 8	9	55	16,5	5,3	13
P0138.080-060-SC	M 8	9	60	16,5	5,3	13
P0138.080-065-SC	M 8	9	65	16,5	5,3	13
P0138.080-070-SC	M 8	9	70	16,5	5,3	13
P0138.080-080-SC	M 8	9	80	16,5	5,3	13
P0138.100-030-SC	M10	11	30	17,5	6,4	17
P0138.100-032-SC	M10	11	32	17,5	6,4	17
P0138.100-035-SC	M10	11	35	17,5	6,4	17
P0138.100-038-SC	M10	11	38	17,5	6,4	17
P0138.100-040-SC	M10	11	40	17,5	6,4	17
P0138.100-042-SC	M10	11	42	17,5	6,4	17
P0138.100-045-SC	M10	11	45	17,5	6,4	17
P0138.100-048-SC	M10	11	48	17,5	6,4	17
P0138.100-050-SC	M10	11	50	17,5	6,4	17
P0138.100-055-SC	M10	11	55	19,5	6,4	17
P0138.100-060-SC	M10	11	60	19,5	6,4	17
P0138.100-065-SC	M10	11	65	19,5	6,4	17
P0138.100-070-SC	M10	11	70	19,5	6,4	17
P0138.100-075-SC	M10	11	75	19,5	6,4	17
P0138.100-080-SC	M10	11	80	19,5	6,4	17

Steel Shoulder Bolts - Hex. Head

std thread, steel 8.8

Shoulder Screws

Order No.	d ₁	d ₂ k6	l ₁	l ₂	h	A/F
P0138.100-085-SC	M10	11	85	19,5	6,4	17
P0138.100-090-SC	M10	11	90	19,5	6,4	17
P0138.100-100-SC	M10	11	100	19,5	6,4	17
P0138.100-110-SC	M10	11	110	19,5	6,4	17
P0138.100-120-SC	M10	11	120	19,5	6,4	17
P0138.120-030-SC	M12	13	30	20,5	7,5	19
P0138.120-032-SC	M12	13	32	20,5	7,5	19
P0138.120-035-SC	M12	13	35	20,5	7,5	19
P0138.120-038-SC	M12	13	38	20,5	7,5	19
P0138.120-040-SC	M12	13	40	20,5	7,5	19
P0138.120-042-SC	M12	13	42	20,5	7,5	19
P0138.120-045-SC	M12	13	45	20,5	7,5	19
P0138.120-048-SC	M12	13	48	20,5	7,5	19
P0138.120-050-SC	M12	13	50	20,5	7,5	19
P0138.120-055-SC	M12	13	55	22,5	7,5	19
P0138.120-060-SC	M12	13	60	22,5	7,5	19
P0138.120-065-SC	M12	13	65	22,5	7,5	19
P0138.120-070-SC	M12	13	70	22,5	7,5	19
P0138.120-075-SC	M12	13	75	22,5	7,5	19
P0138.120-080-SC	M12	13	80	22,5	7,5	19
P0138.120-085-SC	M12	13	85	22,5	7,5	19
P0138.120-090-SC	M12	13	90	22,5	7,5	19
P0138.120-095-SC	M12	13	95	22,5	7,5	19
P0138.120-100-SC	M12	13	100	22,5	7,5	19
P0138.140-032-SC	M14	15	32	22,0	8,8	22
P0138.140-035-SC	M14	15	35	22,0	8,8	22
P0138.140-040-SC	M14	15	40	22,0	8,8	22
P0138.140-042-SC	M14	15	42	22,0	8,8	22
P0138.140-045-SC	M14	15	45	22,0	8,8	22
P0138.140-050-SC	M14	15	50	22,0	8,8	22
P0138.140-055-SC	M14	15	55	24,0	8,8	22
P0138.140-060-SC	M14	15	60	24,0	8,8	22
P0138.140-065-SC	M14	15	65	24,0	8,8	22
P0138.140-070-SC	M14	15	70	24,0	8,8	22
P0138.140-075-SC	M14	15	75	24,0	8,8	22
P0138.140-080-SC	M14	15	80	24,0	8,8	22
P0138.140-090-SC	M14	15	90	24,0	8,8	22
P0138.160-040-SC	M16	17	40	25,0	10	24
P0138.160-042-SC	M16	17	42	25,0	10	24
P0138.160-045-SC	M16	17	45	25,0	10	24
P0138.160-048-SC	M16	17	48	25,0	10	24
P0138.160-050-SC	M16	17	50	25,0	10	24
P0138.160-055-SC	M16	17	55	27,0	10	24
P0138.160-060-SC	M16	17	60	27,0	10	24
P0138.160-065-SC	M16	17	65	27,0	10	24
P0138.160-070-SC	M16	17	70	27,0	10	24
P0138.160-075-SC	M16	17	75	27,0	10	24
P0138.160-080-SC	M16	17	80	27,0	10	24
P0138.160-085-SC	M16	17	85	27,0	10	24
P0138.160-090-SC	M16	17	90	27,0	10	24
P0138.160-100-SC	M16	17	100	27,0	10	24
P0138.160-105-SC	M16	17	105	27,0	10	24
P0138.160-110-SC	M16	17	110	27,0	10	24
P0138.160-115-SC	M16	17	115	27,0	10	24
P0138.160-120-SC	M16	17	120	27,0	10	24
P0138.160-125-SC	M16	17	125	27,0	10	24
P0138.160-130-SC	M16	17	130	27,0	10	24
P0138.160-135-SC	M16	17	135	27,0	10	24
P0138.160-140-SC	M16	17	140	27,0	10	24

Steel Shoulder Bolts - Hex. Head

std thread, steel 8.8

Shoulder Screws

Order No.	d ₁	d ₂ k6	l ₁	l ₂	h	A/F
P0138.160-150-SC	M16	17	150	27,0	10	24
P0138.160-160-SC	M16	17	160	27,0	10	24
P0138.160-180-SC	M16	17	180	27,0	10	24
P0138.160-200-SC	M16	17	200	27,0	10	24
P0138.180-045-SC	M18	19	45	27,5	11,5	27
P0138.180-050-SC	M18	19	50	27,5	11,5	27
P0138.180-055-SC	M18	19	55	29,5	11,5	27
P0138.180-060-SC	M18	19	60	29,5	11,5	27
P1038.180-065-SC	M18	19	65	29,5	11,5	27
P0138.180-070-SC	M18	19	70	29,5	11,5	27
P0138.180-075-SC	M18	19	75	29,5	11,5	27
P0138.180-080-SC	M18	19	80	29,5	11,5	27
P0138.180-085-SC	M18	19	85	29,5	11,5	27
P0138.180-090-SC	M18	19	90	29,5	11,5	27
P0138.180-100-SC	M18	19	100	29,5	11,5	27
P0138.180-110-SC	M18	19	110	29,5	11,5	27
P0138.180-120-SC	M18	19	120	29,5	11,5	27
P0138.200-045-SC	M20	21	45	28,5	12,5	30
P0138.200-050-SC	M20	21	50	28,5	12,5	30
P0138.200-055-SC	M20	21	55	30,5	12,5	30
P0138.200-060-SC	M20	21	60	30,5	12,5	30
P0138.200-065-SC	M20	21	65	30,5	12,5	30
P0138.200-070-SC	M20	21	70	30,5	12,5	30
P0138.200-075-SC	M20	21	75	30,5	12,5	30
P0138.200-080-SC	M20	21	80	30,5	12,5	30
P0138.200-085-SC	M20	21	85	30,5	12,5	30
P0138.200-090-SC	M20	21	90	30,5	12,5	30
P0138.200-100-SC	M20	21	100	30,5	12,5	30
P0138.200-105-SC	M20	21	105	30,5	12,5	30
P0138.200-110-SC	M20	21	110	30,5	12,5	30
P0138.200-115-SC	M20	21	115	30,5	12,5	30
P0138.200-120-SC	M20	21	120	30,5	12,5	30
P0138.200-125-SC	M20	21	125	30,5	12,5	30
P0138.200-130-SC	M20	21	130	30,5	12,5	30
P0138.200-135-SC	M20	21	135	30,5	12,5	30
P0138.200-140-SC	M20	21	140	30,5	12,5	30
P0138.200-145-SC	M20	21	145	30,5	12,5	30
P0138.200-150-SC	M20	21	150	30,5	12,5	30
P0138.200-160-SC	M20	21	160	35,5	12,5	30
P0138.200-170-SC	M20	21	170	35,5	12,5	30
P0138.200-180-SC	M20	21	180	35,5	12,5	30
P0138.200-190-SC	M20	21	190	35,5	12,5	30
P0138.200-200-SC	M20	21	200	35,5	12,5	30
P0138.200-220-SC	M20	21	220	35,5	12,5	30
P0138.200-240-SC	M20	21	240	35,5	12,5	30
P0138.201-045-SC	M20x2	21	45	28,5	12,5	30
P0138.201-050-SC	M20x2	21	50	28,5	12,5	30
P0138.201-055-SC	M20x2	21	55	30,5	12,5	30
P0138.201-060-SC	M20x2	21	60	30,5	12,5	30
P0138.201-065-SC	M20x2	21	65	30,5	12,5	30
P0138.201-070-SC	M20x2	21	70	30,5	12,5	30
P0138.201-075-SC	M20x2	21	75	30,5	12,5	30
P0138.201-080-SC	M20x2	21	80	30,5	12,5	30
P0138.201-085-SC	M20x2	21	85	30,5	12,5	30
P0138.201-090-SC	M20x2	21	90	30,5	12,5	30
P0138.201-095-SC	M20x2	21	95	30,5	12,5	30
P0138.201-100-SC	M20x2	21	100	30,5	12,5	30
P0138.201-105-SC	M20x2	21	105	30,5	12,5	30
P0138.201-110-SC	M20x2	21	110	30,5	12,5	30

Steel Shoulder Bolts - Hex. Head

std thread, steel 8.8

Shoulder Screws

Order No.	d ₁	d ₂ k6	l ₁	l ₂	h	A/F
P0138.201-120-SC	M20x2	21	120	30,5	12,5	30
P0138.201-130-SC	M20x2	21	130	30,5	12,5	30
P0138.201-135-SC	M20x2	21	135	30,5	12,5	30
P0138.201-140-SC	M20x2	21	140	30,5	12,5	30
P0138.201-145-SC	M20x2	21	145	30,5	12,5	30
P0138.201-160-SC	M20x2	21	160	35,5	12,5	30
P0138.201-180-SC	M20x2	21	180	35,5	12,5	30
P0138.220-045-SC	M22	23	45	32,5	14,0	34
P0138.220-050-SC	M22	23	50	32,5	14,0	34
P0138.220-055-SC	M22	23	55	34,5	14,0	34
P0138.220-060-SC	M22	23	60	34,5	14,0	34
P0138.220-065-SC	M22	23	65	34,5	14,0	34
P0138.220-070-SC	M22	23	70	34,5	14,0	34
P0138.220-075-SC	M22	23	75	34,5	14,0	34
P0138.220-080-SC	M22	23	80	34,5	14,0	34
P0138.220-085-SC	M22	23	85	34,5	14,0	34
P0138.220-090-SC	M22	23	90	34,5	14,0	34
P0138.220-100-SC	M22	23	100	34,5	14,0	34
P0138.220-105-SC	M22	23	105	34,5	14,0	34
P0138.220-110-SC	M22	23	110	34,5	14,0	34
P0138.220-120-SC	M22	23	120	34,5	14,0	34
P0138.220-130-SC	M22	23	130	34,5	14,0	34
P0138.220-140-SC	M22	23	140	34,5	14,0	34
P0138.220-150-SC	M22	23	150	34,5	14,0	34
P0138.200-180-SC	M22	23	180	39,5	14,0	34
P0138.240-055-SC	M24	25	55	36,5	15,0	36
P0138.240-060-SC	M24	25	60	36,5	15,0	36
P0138.240-065-SC	M24	25	65	36,5	15,0	36
P0138.240-070-SC	M24	25	70	36,5	15,0	36
P0138.240-075-SC	M24	25	75	36,5	15,0	36
P0138.240-080-SC	M24	25	80	36,5	15,0	36
P0138.240-085-SC	M24	25	85	36,5	15,0	36
P0138.240-090-SC	M24	25	90	36,5	15,0	36
P0138.240-100-SC	M24	25	100	36,5	15,0	36
P0138.240-105-SC	M24	25	105	36,5	15,0	36
P0138.240-110-SC	M24	25	110	36,5	15,0	36
P0138.240-115-SC	M24	25	115	36,5	15,0	36
P0138.240-120-SC	M24	25	120	36,5	15,0	36
P0138.240-125-SC	M24	25	125	36,5	15,0	36
P0138.240-130-SC	M24	25	130	36,5	15,0	36
P0138.240-135-SC	M24	25	135	36,5	15,0	36
P0138.240-140-SC	M24	25	140	36,5	15,0	36
P0138.240-145-SC	M24	25	145	36,5	15,0	36
P0138.240-150-SC	M24	25	150	36,5	15,0	36
P0138.240-160-SC	M24	25	160	41,5	15,0	36
P0138.240-170-SC	M24	25	170	41,5	15,0	36
P0138.240-180-SC	M24	25	180	41,5	15,0	36
P0138.240-190-SC	M24	25	190	41,5	15,0	36
P0138.240-200-SC	M24	25	200	41,5	15,0	36
P0138.240-220-SC	M24	25	220	41,5	15,0	36
P0138.240-240-SC	M24	25	240	41,5	15,0	36
P0138.241-055-SC	M24x2	25	55	36,5	15,0	36
P0138.241-060-SC	M24x2	25	60	36,5	15,0	36
P0138.241-065-SC	M24x2	25	65	36,5	15,0	36
P0138.241-070-SC	M24x2	25	70	36,5	15,0	36
P0138.241-075-SC	M24x2	25	75	36,5	15,0	36
P0138.241-080-SC	M24x2	25	80	36,5	15,0	36
P0138.241-085-SC	M24x2	25	85	36,5	15,0	36
P0138.241-090-SC	M24x2	25	90	36,5	15,0	36

Steel Shoulder Bolts - Hex. Head

std thread, steel 8.8

Shoulder Screws

Order No.	d ₁	d ₂ k6	l ₁	l ₂	h	A/F
P0138.241-095-SC	M24x2	25	95	36,5	15,0	36
P0138.241-100-SC	M24x2	25	100	36,5	15,0	36
P0138.241-105-SC	M24x2	25	105	36,5	15,0	36
P0138.241-110-SC	M24x2	25	110	36,5	15,0	36
P0138.241-115-SC	M24x2	25	115	36,5	15,0	36
P0138.241-120-SC	M24x2	25	120	36,5	15,0	36
P0138.241-130-SC	M24x2	25	130	36,5	15,0	36
P0138.241-135-SC	M24x2	25	135	36,5	15,0	36
P0138.241-140-SC	M24x2	25	140	36,5	15,0	36
P0138.241-150-SC	M24x2	25	150	36,5	15,0	36
P0138.270-060-SC	M27	28	60	39,5	17,0	41
P0138.270-065-SC	M27	28	65	39,5	17,0	41
P0138.270-070-SC	M27	28	70	39,5	17,0	41
P0138.270-075-SC	M27	28	75	39,5	17,0	41
P0138.270-080-SC	M27	28	80	39,5	17,0	41
P0138.270-085-SC	M27	28	85	39,5	17,0	41
P0138.270-090-SC	M27	28	90	39,5	17,0	41
P0138.270-100-SC	M27	28	100	39,5	17,0	41
P0138.270-105-SC	M27	28	105	39,5	17,0	41
P0138.270-110-SC	M27	28	110	39,5	17,0	41
P0138.270-115-SC	M27	28	115	39,5	17,0	41
P0138.270-120-SC	M27	28	120	39,5	17,0	41
P0138.270-125-SC	M27	28	125	39,5	17,0	41
P0138.270-130-SC	M27	28	130	39,5	17,0	41
P0138.270-135-SC	M27	28	135	39,5	17,0	41
P0138.270-140-SC	M27	28	140	39,5	17,0	41
P0138.270-145-SC	M27	28	145	39,5	17,0	41
P0138.270-150-SC	M27	28	150	39,5	17,0	41
P0138.270-160-SC	M27	28	160	44,5	17,0	41
P0138.270-170-SC	M27	28	170	44,5	17,0	41
P0138.270-180-SC	M27	28	180	44,5	17,0	41
P0138.270-200-SC	M27	28	200	44,5	17,0	41
P0138.300-065-SC	M30	32	65	43,0	19,0	46
P0138.300-070-SC	M30	32	70	43,0	19,0	46
P0138.300-075-SC	M30	32	75	43,0	19,0	46
P0138.300-080-SC	M30	32	80	43,0	19,0	46
P0138.300-085-SC	M30	32	85	43,0	19,0	46
P0138.300-090-SC	M30	32	90	43,0	19,0	46
P0138.300-100-SC	M30	32	100	43,0	19,0	46
P0138.300-105-SC	M30	32	105	43,0	19,0	46
P0138.300-110-SC	M30	32	110	43,0	19,0	46
P0138.300-115-SC	M30	32	115	43,0	19,0	46
P0138.300-120-SC	M30	32	120	43,0	19,0	46
P0138.300-125-SC	M30	32	125	43,0	19,0	46
P0138.300-130-SC	M30	32	130	43,0	19,0	46
P0138.300-135-SC	M30	32	135	43,0	19,0	46
P0138.300-140-SC	M30	32	140	43,0	19,0	46
P0138.300-145-SC	M30	32	145	43,0	19,0	46
P0138.300-150-SC	M30	32	150	43,0	19,0	46
P0138.300-160-SC	M30	32	160	48,0	19,0	46
P0138.300-170-SC	M30	32	170	48,0	19,0	46
P0138.300-180-SC	M30	32	180	48,0	19,0	46
P0138.300-190-SC	M30	32	190	48,0	19,0	46
P0138.300-200-SC	M30	32	200	48,0	19,0	46
P0138.301-065-SC	M30x2	32	65	43,0	19,0	46
P0138.301-080-SC	M30x2	32	80	43,0	19,0	46
P0138.301-085-SC	M30x2	32	85	43,0	19,0	46
P0138.301-090-SC	M30x2	32	90	43,0	19,0	46
P0138.301-095-SC	M30x2	32	95	43,0	19,0	46

Steel Shoulder Bolts - Hex. Head

std thread, steel 8.8

Shoulder Screws

Order No.	d ₁	d ₂ k6	l ₁	l ₂	h	A/F
P0138.301-100-SC	M30x2	32	100	43,0	19,0	46
P0138.301-105-SC	M30x2	32	105	43,0	19,0	46
P0138.301-110-SC	M30x2	32	110	43,0	19,0	46
P0138.301-115-SC	M30x2	32	115	43,0	19,0	46
P0138.301-125-SC	M30x2	32	125	43,0	19,0	46
P0138.301-130-SC	M30x2	32	130	43,0	19,0	46
P0138.301-140-SC	M30x2	32	140	43,0	19,0	46
P0138.301-150-SC	M30x2	32	150	43,0	19,0	46
P0138.301-170-SC	M30x2	32	170	48,0	19,0	46
P0138.301-180-SC	M30x2	32	180	48,0	19,0	46
P0138.301-185-SC	M30x2	32	185	48,0	19,0	46
P0138.301-190-SC	M30x2	32	190	48,0	19,0	46
P0138.360-070-SC	M36	38	70	49,0	22,0	55
P0138.360-075-SC	M36	38	75	49,0	22,0	55
P0138.360-080-SC	M36	38	80	49,0	22,0	55
P0138.360-085-SC	M36	38	85	49,0	22,0	55
P0138.360-090-SC	M36	38	90	49,0	22,0	55
P0138.360-100-SC	M36	38	100	49,0	22,0	55
P0138.360-105-SC	M36	38	105	49,0	22,0	55
P0138.360-110-SC	M36	38	110	49,0	22,0	55
P0138.360-115-SC	M36	38	115	49,0	22,0	55
P0138.360-120-SC	M36	38	120	49,0	22,0	55
P0138.360-125-SC	M36	38	125	49,0	22,0	55
P0138.360-130-SC	M36	38	130	49,0	22,0	55
P0138.360-135-SC	M36	38	135	49,0	22,0	55
P0138.360-140-SC	M36	38	140	49,0	22,0	55
P0138.360-145-SC	M36	38	145	49,0	22,0	55
P0138.360-150-SC	M36	38	150	49,0	22,0	55
P0138.360-160-SC	M36	38	160	54,0	22,0	55
P0138.360-170-SC	M36	38	170	54,0	22,0	55
P0138.360-180-SC	M36	38	180	54,0	22,0	55
P0138.360-190-SC	M36	38	190	54,0	22,0	55
P0138.360-200-SC	M36	38	200	54,0	22,0	55
P0138.390-160-SC	M39	40	160	56,0	25,0	60
P0138.390-320-SC	M39	40	320	56,0	25,0	60
P0138.420-100-SC	M42	44	100	56,0	26,0	65
P0138.420-110-SC	M42	44	110	56,0	26,0	65
P0138.420-120-SC	M42	44	120	56,0	26,0	65
P0138.420-130-SC	M42	44	130	56,0	26,0	65
P0138.420-140-SC	M42	44	140	56,0	26,0	65
P0138.420-150-SC	M42	44	150	56,0	26,0	65
P0138.420-160-SC	M42	44	160	61,0	26,0	65
P0138.420-170-SC	M42	44	170	61,0	26,0	65
P0138.420-180-SC	M42	44	180	61,0	26,0	65
P0138.420-190-SC	M42	44	190	61,0	26,0	65
P0138.420-200-SC	M42	44	200	61,0	26,0	65
P0138.420-240-SC	M42	44	240	61,0	26,0	65
P0138.420-240-SC	M42	44	240	61,0	26,0	65
P0138.420-370-SC	M42	44	370	61,0	26,0	65

Steel shoulder screws

These are our least expensive option. They are produced to ISO 7379 standards. Thread sizes from Ø4 M3 to Ø24 M20. We manufacture special shoulder screws to customer drawings with a minimum batch size.



Stainless steel shoulder screws

We have three different grades of stainless steel shoulder screws:

A2 series – these are our standard grade of stainless. They are strong and resistant to corrosion but not to very harsh environments such as salt water.

For standard sizes Ø6 M5 up to Ø16 M12, see our part no P0137. For miniature sizes down to Ø4 M3 see parts numbers P0130 and P0132.

416 series – these are made from harder stainless steel with improved shear strengths but the parts are more prone to corrosion (see part no. P0131 and P0133).

A4 series – these shoulder screws (P0143) are very resistant to corrosion but are considerably more expensive than other stainless versions.



Shoulder bolts

Our range of precision shoulder bolts with hexagonal heads come in both steel (grades 8.8 and 10.9) and stainless steel (grade A2). These bolts are manufactured to DIN 609 and DIN 610. We also have shoulder bolts for construction, manufactured to DIN 7968.

	DIN 609 standard length thread	DIN 610 short length thread	DIN 7968 construction
Grade 8.8 steel 	P0138.SC	P0140.SC	P0142
Grade 10.9 steel 	P0139	P0141	-
A2 stainless steel 	P0138.A2	P0140.A2	-

ov-shoulder_screws_product_overview_1 - Updated - 31-08-2017

Product Overview

Shoulder Screws & Shoulder Bolts

Shoulder Screws

Part No.		Material	Head	Corrosion resistance	Strength	Ø/thread	DIN/ISO
P0130		Stainless A2	Hex socket	✓✓	✓	Min: Ø4/M3 Max: Ø12/M10	-
P0131		Stainless 416	Hex socket	✓	✓✓	Min: Ø4/M3 Max: Ø12/M10	-
P0132		Stainless A2	Slotted	✓✓	✓	Min: Ø4/M3 Max: Ø12/M10	-
P0133		Stainless 416	Slotted	✓	✓✓	Min: Ø4/M3 Max: Ø12/M10	-
P0134		Stainless A2	Hex socket	✓✓	✓	Min: Ø4/M3 Max: Ø8/M6	-
P0135		Stainless A2	Hex head	✓✓	✓	Min: Ø4/M3 Max: Ø12/M10	-
P0136		Steel 12,9	Hex socket	✗	✓✓	Min: Ø4/M3 Max: Ø24/M20	ISO 7379
P0137		Stainless A2	Hex socket	✓✓	✓	Min: Ø6/M5 Max: Ø20/M16	ISO 7379
P0138		Steel 8,8	Hex head (long thread)	✗	✓	Min: Ø9/M8 Max: Ø44/M42	DIN 610
P0139		Steel 10,9	Hex head (long thread)	✗	✓✓	Min: Ø9/M8 Max: Ø38/M36	DIN 610
P0140		Steel 8,8	Hex socket (short thread)	✗	✓✓	Min: Ø9/M8 Max: Ø44/M42	DIN 609
P0141		Steel 10,9	Hex socket (short thread)	✗	✓✓	Min: Ø9/M8 Max: Ø38/M36	DIN 609
P0142		Steel 8,8	Hex head	✗	✓✓	Min: Ø12/M12 Max: Ø27/M27	DIN 7968
P0143		Stainless A4	Hex socket	✓✓✓	✓	Min: Ø4/M3 Max: Ø12/M10	ISO 7379
P0144		Stainless A2	Pan head	✓✓	✓✓	Min: Ø4/M3 Max: Ø10/M8	DIN 923

Shoulder Screw from Automation Components