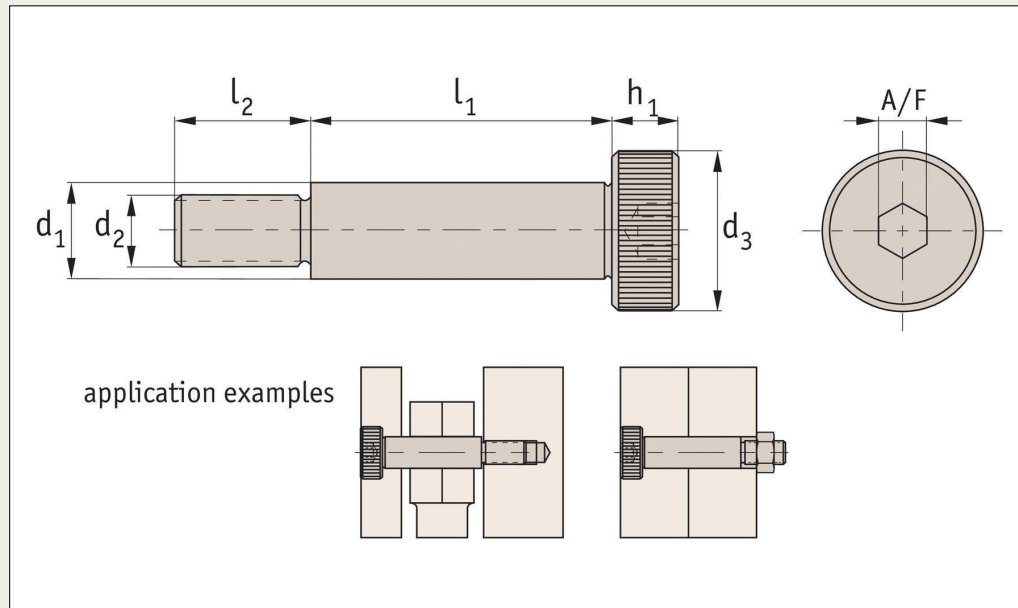


# Shoulder Screws - Hex. Socket Head

Large sizes A2 stainless

Shoulder Screws



**P0137**

## Material

Stainless steel (A2, AISI 303).  
Tensile strength 580 N/mm<sup>2</sup>, yield strength 200 N/mm<sup>2</sup>.

## Technical notes

To ISO 7379. These are generally larger sizes than the other stainless shoulder screws (P0130 and P0132).

Straight knurling on screw head.  
Mildly magnetic.

| Order No.        | d <sub>1</sub><br>tol. f9 | l <sub>1</sub><br>+0,25 | d <sub>2</sub> | d <sub>3</sub> | l <sub>2</sub> | h <sub>1</sub> | A/F |
|------------------|---------------------------|-------------------------|----------------|----------------|----------------|----------------|-----|
| P0137.040-004-A2 | 4                         | 4                       | M 3            | 7              | 7              | 3              | 2   |
| P0137.040-005-A2 | 4                         | 5                       | M 3            | 7              | 7              | 3              | 2   |
| P0137.040-008-A2 | 4                         | 8                       | M 3            | 7              | 7              | 3              | 2   |
| P0137.040-010-A2 | 4                         | 10                      | M 3            | 7              | 7              | 3              | 2   |
| P0137.040-012-A2 | 4                         | 12                      | M 3            | 7              | 7              | 3              | 2   |
| P0137.040-016-A2 | 4                         | 16                      | M 3            | 7              | 7              | 3              | 2   |
| P0137.050-006-A2 | 5                         | 6                       | M 4            | 9              | 8              | 4              | 2,5 |
| P0137.050-008-A2 | 5                         | 8                       | M 4            | 9              | 8              | 4              | 2,5 |
| P0137.050-010-A2 | 5                         | 10                      | M 4            | 9              | 8              | 4              | 2,5 |
| P0137.050-012-A2 | 5                         | 12                      | M 4            | 9              | 8              | 4              | 2,5 |
| P0137.050-016-A2 | 5                         | 16                      | M 4            | 9              | 8              | 4              | 2,5 |
| P0137.050-020-A2 | 5                         | 20                      | M 4            | 9              | 8              | 4              | 2,5 |
| P0137.050-025-A2 | 5                         | 25                      | M 4            | 9              | 8              | 4              | 2,5 |
| P0137.050-030-A2 | 5                         | 30                      | M 4            | 9              | 8              | 4              | 2,5 |
| P0137.060-006-A2 | 6                         | 6                       | M 5            | 10             | 9,5            | 4,5            | 3   |
| P0137.060-008-A2 | 6                         | 8                       | M 5            | 10             | 9,5            | 4,5            | 3   |
| P0137.060-010-A2 | 6                         | 10                      | M 5            | 10             | 9,5            | 4,5            | 3   |
| P0137.060-012-A2 | 6                         | 12                      | M 5            | 10             | 9,5            | 4,5            | 3   |
| P0137.060-016-A2 | 6                         | 16                      | M 5            | 10             | 9,5            | 4,5            | 3   |
| P0137.060-020-A2 | 6                         | 20                      | M 5            | 10             | 9,5            | 4,5            | 3   |
| P0137.060-025-A2 | 6                         | 25                      | M 5            | 10             | 9,5            | 4,5            | 3   |
| P0137.060-030-A2 | 6                         | 30                      | M 5            | 10             | 9,5            | 4,5            | 3   |
| P0137.060-035-A2 | 6                         | 35                      | M 5            | 10             | 9,5            | 4,5            | 3   |
| P0137.060-040-A2 | 6                         | 40                      | M 5            | 10             | 9,5            | 4,5            | 3   |
| P0137.060-045-A2 | 6                         | 45                      | M 5            | 10             | 9,5            | 4,5            | 3   |
| P0137.060-050-A2 | 6                         | 50                      | M 5            | 10             | 9,5            | 4,5            | 3   |
| P0137.060-055-A2 | 6                         | 55                      | M 5            | 10             | 9,5            | 4,5            | 3   |
| P0137.060-060-A2 | 6                         | 60                      | M 5            | 10             | 9,5            | 4,5            | 3   |
| P0137.060-065-A2 | 6                         | 65                      | M 5            | 10             | 9,5            | 4,5            | 3   |
| P0137.060-070-A2 | 6                         | 70                      | M 5            | 10             | 9,5            | 4,5            | 3   |

Tel: 0333 207 4498

Created 2022-06-23

Email: sales@automotioncomponents.co.uk

Web: automotioncomponents.co.uk

**AUTOMOTION<sup>®</sup>**  
**COMPONENTS**

# Shoulder Screws - Hex. Socket Head

Large sizes A2 stainless

Shoulder Screws

| Order No.        | d <sub>1</sub><br>tol. f9 | l <sub>1</sub><br>+0,25 | d <sub>2</sub> | d <sub>3</sub> | l <sub>2</sub> | h <sub>1</sub> | A/F |
|------------------|---------------------------|-------------------------|----------------|----------------|----------------|----------------|-----|
| P0137.060-075-A2 | 6                         | 75                      | M 5            | 10             | 9,5            | 4,5            | 3   |
| P0137.060-080-A2 | 6                         | 80                      | M 5            | 10             | 9,5            | 4,5            | 3   |
| P0137.060-090-A2 | 6                         | 90                      | M 5            | 10             | 9,5            | 4,5            | 3   |
| P0137.060-100-A2 | 6                         | 100                     | M 5            | 10             | 9,5            | 4,5            | 3   |
| P0137.080-008-A2 | 8                         | 8                       | M 6            | 13             | 11             | 5,5            | 4   |
| P0137.080-010-A2 | 8                         | 10                      | M 6            | 13             | 11             | 5,5            | 4   |
| P0137.080-012-A2 | 8                         | 12                      | M 6            | 13             | 11             | 5,5            | 4   |
| P0137.080-016-A2 | 8                         | 16                      | M 6            | 13             | 11             | 5,5            | 4   |
| P0137.080-020-A2 | 8                         | 20                      | M 6            | 13             | 11             | 5,5            | 4   |
| P0137.080-025-A2 | 8                         | 25                      | M 6            | 13             | 11             | 5,5            | 4   |
| P0137.080-030-A2 | 8                         | 30                      | M 6            | 13             | 11             | 5,5            | 4   |
| P0137.080-035-A2 | 8                         | 35                      | M 6            | 13             | 11             | 5,5            | 4   |
| P0137.080-040-A2 | 8                         | 40                      | M 6            | 13             | 11             | 5,5            | 4   |
| P0137.080-045-A2 | 8                         | 45                      | M 6            | 13             | 11             | 5,5            | 4   |
| P0137.080-050-A2 | 8                         | 50                      | M 6            | 13             | 11             | 5,5            | 4   |
| P0137.080-055-A2 | 8                         | 55                      | M 6            | 13             | 11             | 5,5            | 4   |
| P0137.080-060-A2 | 8                         | 60                      | M 6            | 13             | 11             | 5,5            | 4   |
| P0137.080-065-A2 | 8                         | 65                      | M 6            | 13             | 11             | 5,5            | 4   |
| P0137.080-070-A2 | 8                         | 70                      | M 6            | 13             | 11             | 5,5            | 4   |
| P0137.080-075-A2 | 8                         | 75                      | M 6            | 13             | 11             | 5,5            | 4   |
| P0137.080-080-A2 | 8                         | 80                      | M 6            | 13             | 11             | 5,5            | 4   |
| P0137.080-090-A2 | 8                         | 90                      | M 6            | 13             | 11             | 5,5            | 4   |
| P0137.080-100-A2 | 8                         | 100                     | M 6            | 13             | 11             | 5,5            | 4   |
| P0137.100-010-A2 | 10                        | 10                      | M 8            | 16             | 13             | 7              | 5   |
| P0137.100-012-A2 | 10                        | 12                      | M 8            | 16             | 13             | 7              | 5   |
| P0137.100-016-A2 | 10                        | 16                      | M 8            | 16             | 13             | 7              | 5   |
| P0137.100-020-A2 | 10                        | 20                      | M 8            | 16             | 13             | 7              | 5   |
| P0137.100-025-A2 | 10                        | 25                      | M 8            | 16             | 13             | 7              | 5   |
| P0137.100-030-A2 | 10                        | 30                      | M 8            | 16             | 13             | 7              | 5   |
| P0137.100-035-A2 | 10                        | 35                      | M 8            | 16             | 13             | 7              | 5   |
| P0137.100-040-A2 | 10                        | 40                      | M 8            | 16             | 13             | 7              | 5   |
| P0137.100-045-A2 | 10                        | 45                      | M 8            | 16             | 13             | 7              | 5   |
| P0137.100-050-A2 | 10                        | 50                      | M 8            | 16             | 13             | 7              | 5   |
| P0137.100-055-A2 | 10                        | 55                      | M 8            | 16             | 13             | 7              | 5   |
| P0137.100-060-A2 | 10                        | 60                      | M 8            | 16             | 13             | 7              | 5   |
| P0137.100-065-A2 | 10                        | 65                      | M 8            | 16             | 13             | 7              | 5   |
| P0137.100-070-A2 | 10                        | 70                      | M 8            | 16             | 13             | 7              | 5   |
| P0137.100-075-A2 | 10                        | 75                      | M 8            | 16             | 13             | 7              | 5   |
| P0137.100-080-A2 | 10                        | 80                      | M 8            | 16             | 13             | 7              | 5   |
| P0137.100-090-A2 | 10                        | 90                      | M 8            | 16             | 13             | 7              | 5   |
| P0137.100-100-A2 | 10                        | 100                     | M 8            | 16             | 13             | 7              | 5   |
| P0137.120-016-A2 | 12                        | 16                      | M10            | 18             | 16             | 9              | 6   |
| P0137.120-020-A2 | 12                        | 20                      | M10            | 18             | 16             | 9              | 6   |
| P0137.120-025-A2 | 12                        | 25                      | M10            | 18             | 16             | 9              | 6   |
| P0137.120-030-A2 | 12                        | 30                      | M10            | 18             | 16             | 9              | 6   |
| P0137.120-035-A2 | 12                        | 35                      | M10            | 18             | 16             | 9              | 6   |
| P0137.120-040-A2 | 12                        | 40                      | M10            | 18             | 16             | 9              | 6   |
| P0137.120-045-A2 | 12                        | 45                      | M10            | 18             | 16             | 9              | 6   |
| P0137.120-050-A2 | 12                        | 50                      | M10            | 18             | 16             | 9              | 6   |
| P0137.120-055-A2 | 12                        | 55                      | M10            | 18             | 16             | 9              | 6   |
| P0137.120-060-A2 | 12                        | 60                      | M10            | 18             | 16             | 9              | 6   |
| P0137.120-065-A2 | 12                        | 65                      | M10            | 18             | 16             | 9              | 6   |
| P0137.120-070-A2 | 12                        | 70                      | M10            | 18             | 16             | 9              | 6   |
| P0137.120-075-A2 | 12                        | 75                      | M10            | 18             | 16             | 9              | 6   |
| P0137.120-080-A2 | 12                        | 80                      | M10            | 18             | 16             | 9              | 6   |
| P0137.120-090-A2 | 12                        | 90                      | M10            | 18             | 16             | 9              | 6   |
| P0137.120-100-A2 | 12                        | 100                     | M10            | 18             | 16             | 9              | 6   |

# Shoulder Screws - Hex. Socket Head

Large sizes A2 stainless

Shoulder Screws

| Order No.        | d <sub>1</sub><br>tol. f9 | l <sub>1</sub><br>+0,25 | d <sub>2</sub> | d <sub>3</sub> | l <sub>2</sub> | h <sub>1</sub> | A/F |
|------------------|---------------------------|-------------------------|----------------|----------------|----------------|----------------|-----|
| P0137.160-025-A2 | 16                        | 25                      | M12            | 24             | 18             | 11             | 8   |
| P0137.160-030-A2 | 16                        | 30                      | M12            | 24             | 18             | 11             | 8   |
| P0137.160-035-A2 | 16                        | 35                      | M12            | 24             | 18             | 11             | 8   |
| P0137.160-040-A2 | 16                        | 40                      | M12            | 24             | 18             | 11             | 8   |
| P0137.160-045-A2 | 16                        | 45                      | M12            | 24             | 18             | 11             | 8   |
| P0137.160-050-A2 | 16                        | 50                      | M12            | 24             | 18             | 11             | 8   |
| P0137.160-055-A2 | 16                        | 55                      | M12            | 24             | 18             | 11             | 8   |
| P0137.160-060-A2 | 16                        | 60                      | M12            | 24             | 18             | 11             | 8   |
| P0137.160-065-A2 | 16                        | 65                      | M12            | 24             | 18             | 11             | 8   |
| P0137.160-070-A2 | 16                        | 70                      | M12            | 24             | 18             | 11             | 8   |
| P0137.160-075-A2 | 16                        | 75                      | M12            | 24             | 18             | 11             | 8   |
| P0137.160-080-A2 | 16                        | 80                      | M12            | 24             | 18             | 11             | 8   |
| P0137.160-090-A2 | 16                        | 90                      | M12            | 24             | 18             | 11             | 8   |
| P0137.160-100-A2 | 16                        | 100                     | M12            | 24             | 18             | 11             | 8   |
| P0137.200-030-A2 | 20                        | 30                      | M16            | 30             | 22             | 14             | 10  |
| P0137.200-035-A2 | 20                        | 35                      | M16            | 30             | 22             | 14             | 10  |
| P0137.200-040-A2 | 20                        | 40                      | M16            | 30             | 22             | 14             | 10  |
| P0137.200-045-A2 | 20                        | 45                      | M16            | 30             | 22             | 14             | 10  |
| P0137.200-050-A2 | 20                        | 50                      | M16            | 30             | 22             | 14             | 10  |
| P0137.200-055-A2 | 20                        | 55                      | M16            | 30             | 22             | 14             | 10  |
| P0137.200-060-A2 | 20                        | 60                      | M16            | 30             | 22             | 14             | 10  |
| P0137.200-065-A2 | 20                        | 65                      | M16            | 30             | 22             | 14             | 10  |
| P0137.200-070-A2 | 20                        | 70                      | M16            | 30             | 22             | 14             | 10  |
| P0137.200-075-A2 | 20                        | 75                      | M16            | 30             | 22             | 14             | 10  |
| P0137.200-080-A2 | 20                        | 80                      | M16            | 30             | 22             | 14             | 10  |
| P0137.200-090-A2 | 20                        | 90                      | M16            | 30             | 22             | 14             | 10  |
| P0137.200-100-A2 | 20                        | 100                     | M16            | 30             | 22             | 14             | 10  |
| P0137.200-120-A2 | 20                        | 120                     | M16            | 30             | 22             | 14             | 10  |
| P0137.200-140-A2 | 20                        | 140                     | M16            | 30             | 22             | 14             | 10  |

### Steel shoulder screws

These are our least expensive option. They are produced to ISO 7379 standards. Thread sizes from Ø4 M3 to Ø24 M20. We manufacture special shoulder screws to customer drawings with a minimum batch size.



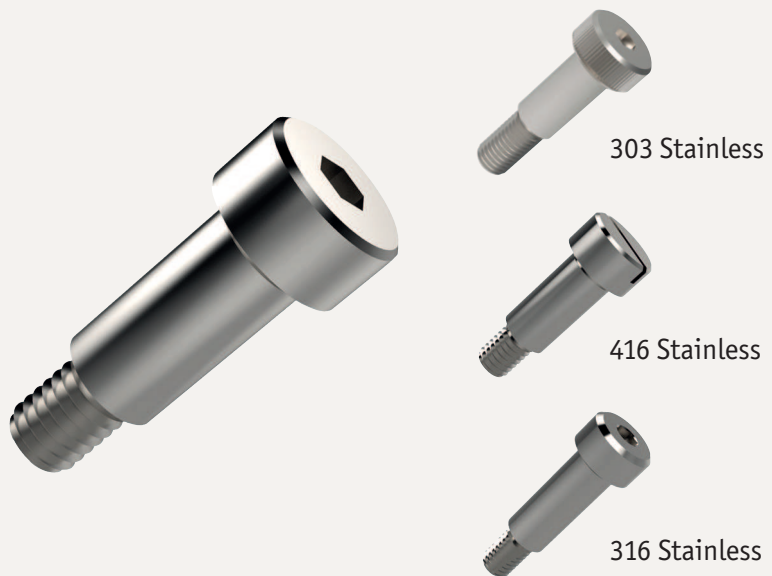
### Stainless steel shoulder screws

We have three different grades of stainless steel shoulder screws:

**303 series** – these are our standard grade of stainless (P0130.A2). They are strong and resistant to corrosion but not to very harsh environments such as salt water.




**416 series** – these are made from harder stainless steel with improved shear strengths but the parts are more prone to corrosion (see part no. P0131 and P0133).

**316 series** – these shoulder screws (P0130.A4) are very resistant to corrosion but are considerably more expensive than other stainless versions.



### Shoulder bolts

Our range of precision shoulder bolts with hexagonal heads come in both steel (grades 8.8 and 10.9) and stainless steel (303 and 316 stainless). These bolts are manufactured to DIN 609 and DIN 610. We also have shoulder bolts for construction, manufactured to DIN 7968.

|                                                                                                                   | DIN 609 standard length thread | DIN 610 short length thread | DIN 7968 construction |
|-------------------------------------------------------------------------------------------------------------------|--------------------------------|-----------------------------|-----------------------|
| <b>Grade 8.8 steel</b><br>     | P0138.SC                       | P0140.SC                    | P0142                 |
| <b>Grade 10.9 steel</b><br>    | P0139                          | P0141                       | -                     |
| <b>303 stainless steel</b><br> | P0138.A2                       | P0140.A2                    | -                     |

# Product Overview

## Shoulder Screws & Shoulder Bolts

# Shoulder Screws

Shoulder Screw from Automation Components

| Part No. |                                                                                     | Material            | Head                      | Corrosion resistance | Strength | Ø/thread                     | DIN/ISO  |
|----------|-------------------------------------------------------------------------------------|---------------------|---------------------------|----------------------|----------|------------------------------|----------|
| P0130    |    | 303 stainless steel | Hex socket                | ✓ ✓                  | ✓        | Min: Ø4/M3<br>Max: Ø20/M16   | -        |
| P0130.A4 |    | 316 stainless steel | Hex socket                | ✓ ✓ ✓                | ✓        | Min: Ø4/M3<br>Max: Ø20/M16   | ISO 7379 |
| P0131    |    | 416 stainless steel | Hex socket                | ✓                    | ✓ ✓      | Min: Ø4/M3<br>Max: Ø12/M10   | -        |
| P0132    |    | 303 stainless steel | Slotted                   | ✓ ✓                  | ✓        | Min: Ø4/M3<br>Max: Ø12/M10   | -        |
| P0133    |    | 416 stainless steel | Slotted                   | ✓                    | ✓ ✓      | Min: Ø4/M3<br>Max: Ø12/M10   | -        |
| P0134    |   | 303 stainless steel | Hex socket                | ✓ ✓                  | ✓        | Min: Ø4/M3<br>Max: Ø8/M6     | -        |
| P0135    |  | 303 stainless steel | Hex head                  | ✓ ✓                  | ✓        | Min: Ø4/M3<br>Max: Ø12/M10   | -        |
| P0136    |  | Steel 12,9          | Hex socket                | ✗                    | ✓ ✓      | Min: Ø4/M3<br>Max: Ø24/M20   | ISO 7379 |
| P0137    |  | 304 stainless steel | Hex socket                | ✓ ✓                  | ✓        | Min: Ø6/M5<br>Max: Ø20/M16   | ISO 7379 |
| P0138    |  | Steel 8,8           | Hex head (long thread)    | ✗                    | ✓        | Min: Ø9/M8<br>Max: Ø44/M42   | DIN 610  |
| P0139    |  | Steel 10,9          | Hex head (long thread)    | ✗                    | ✓ ✓      | Min: Ø9/M8<br>Max: Ø38/M36   | DIN 610  |
| P0140    |  | Steel 8,8           | Hex socket (short thread) | ✗                    | ✓ ✓      | Min: Ø9/M8<br>Max: Ø44/M42   | DIN 609  |
| P0141    |  | Steel 10,9          | Hex socket (short thread) | ✗                    | ✓ ✓      | Min: Ø9/M8<br>Max: Ø38/M36   | DIN 609  |
| P0142    |  | Steel 8,8           | Hex head                  | ✗                    | ✓ ✓      | Min: Ø12/M12<br>Max: Ø27/M27 | DIN 7968 |
| P0144    |  | 303 stainless steel | Pan head                  | ✓ ✓                  | ✓ ✓      | Min: Ø4/M3<br>Max: Ø10/M8    | DIN 923  |

ov-shoulder\_screws\_product\_overview\_2 - Updated 08-03-2022