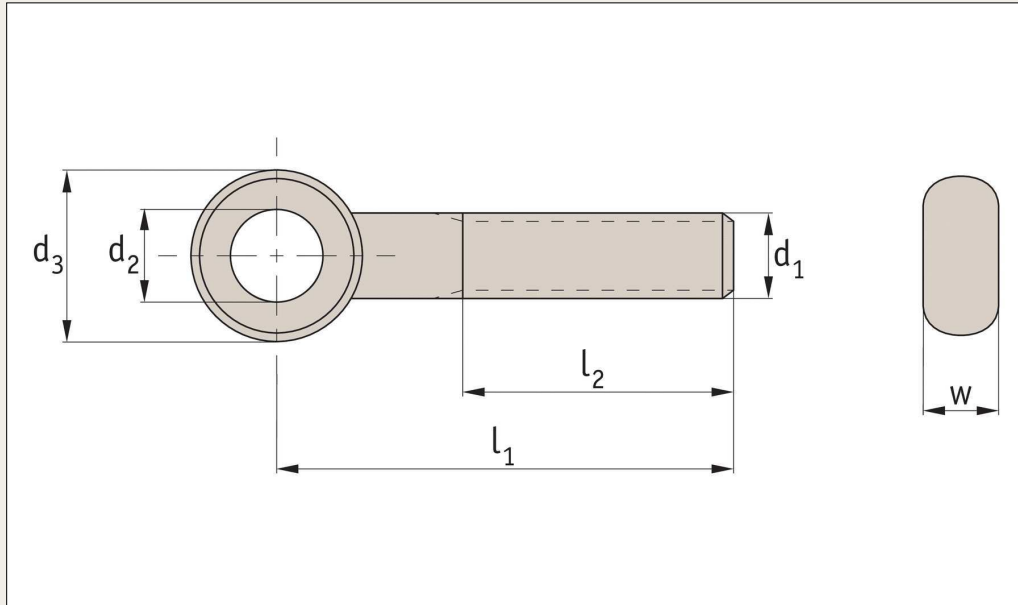


Swing Bolts

A2 stainless

Lifting Bolts & Swing Bolts



P0070.A2

Material

Stainless steel (A2, AISI 303).

Technical notes

To DIN 444 B.

Order no.	d ₁ H9	l ₁	l ₂	w > max.	d ₂ H7	d ₃
P0070.060-040-A2	M 6	40	18	7	6	14
P0070.060-050-A2	M 6	50	18	7	6	14
P0070.060-060-A2	M 6	60	18	7	6	14
P0070.080-030-A2	M 8	30	22	9	8	18
P0070.080-040-A2	M 8	40	22	9	8	18
P0070.080-050-A2	M 8	50	22	9	8	18
P0070.080-060-A2	M 8	60	22	9	8	18
P0070.080-070-A2	M 8	70	22	9	8	18
P0070.080-075-A2	M 8	75	22	9	8	18
P0070.080-080-A2	M 8	80	22	9	8	18
P0070.080-090-A2	M 8	90	22	9	8	18
P0070.080-100-A2	M 8	100	22	9	8	18
P0070.100-040-A2	M10	40	26	12	10	20
P0070.100-050-A2	M10	50	26	12	10	20
P0070.100-060-A2	M10	60	26	12	10	20
P0070.100-070-A2	M10	70	26	12	10	20
P0070.100-080-A2	M10	80	26	12	10	20
P0070.100-090-A2	M10	90	26	12	10	20
P0070.100-100-A2	M10	100	26	12	10	20
P0070.100-120-A2	M10	120	26	12	10	20
P0070.120-040-A2	M12	40	30	14	12	25
P0070.120-050-A2	M12	50	30	14	12	25
P0070.120-060-A2	M12	60	30	14	12	25
P0070.120-070-A2	M12	70	30	14	12	25
P0070.120-080-A2	M12	80	30	14	12	25
P0070.120-100-A2	M12	100	30	14	12	25
P0070.120-120-A2	M12	120	30	14	12	25
P0070.120-130-A2	M12	130	30	14	12	25
P0070.120-140-A2	M12	140	30	14	12	25
P0070.120-150-A2	M12	150	30	14	12	25

Order no.	d ₁ H9	l ₁	l ₂	w> _{max.}	d ₂ H7	d ₃
P0070.160-060-A2	M16	60	38	17	16	32
P0070.160-070-A2	M16	70	38	17	16	32
P0070.160-080-A2	M16	80	38	17	16	32
P0070.160-090-A2	M16	90	38	17	16	32
P0070.160-100-A2	M16	100	38	17	16	32
P0070.160-110-A2	M16	110	38	17	16	32
P0070.160-120-A2	M16	120	38	17	16	32
P0070.160-130-A2	M16	130	38	17	16	32
P0070.160-140-A2	M16	140	38	17	16	32
P0070.160-150-A2	M16	150	38	17	16	32
P0070.200-075-A2	M20	75	46	22	18	40
P0070.200-080-A2	M20	80	46	22	18	40
P0070.200-090-A2	M20	90	46	22	18	40
P0070.200-100-A2	M20	100	46	22	18	40
P0070.200-110-A2	M20	110	46	22	18	40
P0070.200-120-A2	M20	120	46	22	18	40
P0070.200-130-A2	M20	130	46	22	18	40
P0070.200-140-A2	M20	140	46	22	18	40
P0070.200-150-A2	M20	150	46	22	18	40
P0070.200-160-A2	M20	160	46	22	18	40
P0070.240-080-A2	M24	80	54	25	22	45
P0070.240-090-A2	M24	90	54	25	22	45
P0070.240-100-A2	M24	100	54	25	22	45
P0070.240-110-A2	M24	110	54	25	22	45
P0070.240-120-A2	M24	120	54	25	22	45
P0070.240-130-A2	M24	130	54	25	22	45
P0070.240-140-A2	M24	140	54	25	22	45
P0070.240-150-A2	M24	150	54	25	22	45
P0070.240-160-A2	M24	160	54	25	22	45