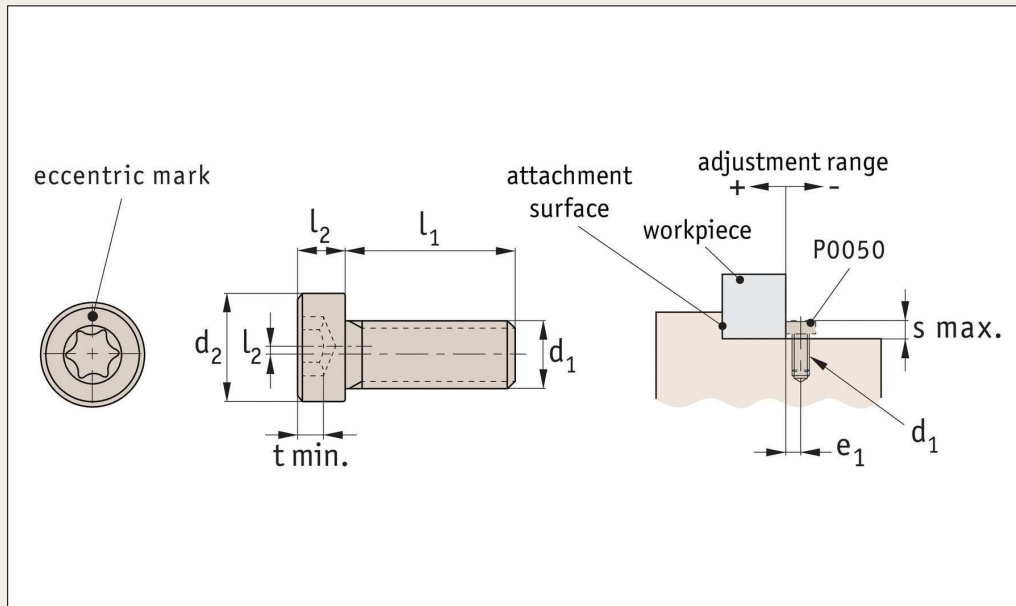


Eccentric Clamp Screws

for linear guideways

Clamping Screws



P0050

Material

Steel, ferrosferric oxide coating or electroless nickel plated.

Technical notes

For use when securing linear guideway rails or similar. The

eccentricity of the clamping screw is formed as a result of the central axis of the head being offset from the central axis of the shank. This offset ensures that the rail is firmly clamped by the head when the screw is tightened. The torx socket drive ensures the screw can withstand a

high tightening torque.

Tips

Use following suffixes to specify material when ordering:
 BL - ferrosferric oxide coating
 EN - electroless nickel plated, providing good corrosion resistance.

Order No.	d ₁	Adj. Range min. / max.	e ₁	h _{max.}	d ₂ ±0,1	l ₁	l ₂	e ₂ +0,1 -0	t _{min.}	TX Size	For rail w	g
P0050.030-BL	M 3	-0.10 / 0,70	3,10 ^{+0,3 -0}	3,3	6,8	6	2,5	0,4	1,0	10	9, 12, 15	0,7
P0050.040-BL	M 4	-0,05 / 0,75	3,15 ^{+0,3 -0}	4,1	7,0	8	3,0	0,4	1,2	15	9,12, 15, 20	1,6
P0050.050-BL	M 5	-0,05 / 0,75	3,90 ^{+0,3 -0}	5,3	8,5	10	4,0	0,4	1,5	20	20, 25	2,6
P0050.060-BL	M 6	-0,15 / 0,85	4,65 ^{+0,3 -0}	5,5	10,0	12	4,0	0,5	2,0	25	25, 30	5,1
P0050.080-BL	M 8	-0,35 / 1,25	6,05 ^{+0,5 -0}	7,0	13,0	16	5,0	0,8	2,5	30	30, 35	11,0
P0050.100-BL	M10	-0,50 / 1,00	7,50 ^{+0,5 -0}	9,5	16,0	20	7,0	1,0	3,0	40	35, 45	22,0
P0050.120-BL	M12	-0,50 / 1,00	8,50 ^{+0,5 -0}	10,9	18,0	24	8,0	1,0	3,5	45	45, 55	32,0
P0050.030-EN	M 3	-0.10 / 0,70	3,10 ^{+0,3 -0}	3,3	6,8	6	2,5	0,4	1,0	10	9, 12, 15	0,7
P0050.040-EN	M 4	-0,05 / 0,75	3,15 ^{+0,3 -0}	4,1	7,0	8	3,0	0,4	1,2	15	9,12, 15, 20	1,6
P0050.050-EN	M 5	-0,05 / 0,75	3,90 ^{+0,3 -0}	5,3	8,5	10	4,0	0,4	1,5	20	20, 25	2,6
P0050.060-EN	M 6	-0,15 / 0,85	4,65 ^{+0,3 -0}	5,5	10,0	12	4,0	0,5	2,0	25	25, 30	5,1
P0050.080-EN	M 8	-0,35 / 1,25	6,05 ^{+0,5 -0}	7,0	13,0	16	5,0	0,8	2,5	30	30, 35	11,0
P0050.100-EN	M10	-0,50 / 1,00	7,50 ^{+0,5 -0}	9,5	16,0	20	7,0	1,0	3,0	40	35, 45	22,0
P0050.120-EN	M12	-0,50 / 1,00	8,50 ^{+0,5 -0}	10,9	18,0	24	8,0	1,0	3,5	45	45, 55	32,0

Eccentric Clamp Screws

for linear guideways

Clamping Screws

