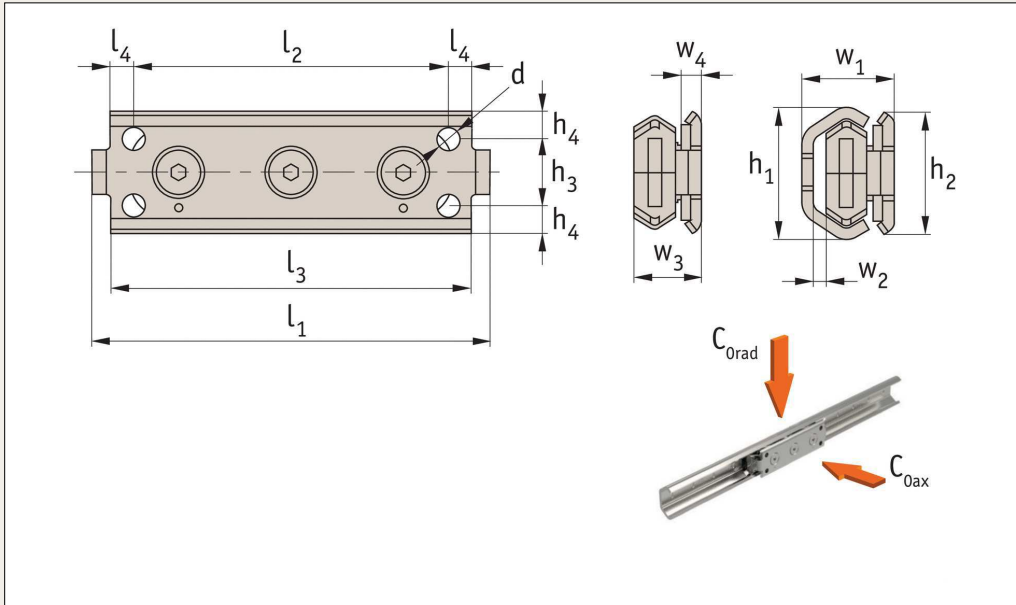


Low Profile Steel Sliders

for T rail (master)

Long Linear Rails



L1970.LP

Material

Steel (BS1449-HR1), zinc plated.
Rollers with metal seals (2Z).

Technical notes

The three sizes of sliders are suited to the relevant L1970.TES rail size.

Select the size and quantity to suit the required load.

Tips

The punched dot marked on the slider body indicates the orientation for the loading of the fixed rollers.

The middle roller is eccentric, allowing the preload to be easily adjusted when mounted inside the rail.

Coefficient of friction (without seals) 0.01.

Order No.	Size	l_1	h_1	w_1	l_2	l_3	l_4	$\frac{\Delta}{\Delta}$ Kg
L1970.20T-080	20	80	19,2	16	60	71	10	0,05
L1970.30T-088	30	88	29,5	20,5	70	80	5	0,11
L1970.45T-150	45	150	46,4	31	120	135	7,5	0,40

Order No.	h_2	h_3	h_4	w_2	w_3	w_4	d	Max. load C_{0rad} N	Max. load C_{0ax} N
L1970.20T-080	18	-	9	2,5	11,5	5,5	M5	326	185
L1970.30T-088	27	15	6	3,5	15	4,5	M5	870	435
L1970.45T-150	40	23	8,5	5	22	4	M6	1740	935