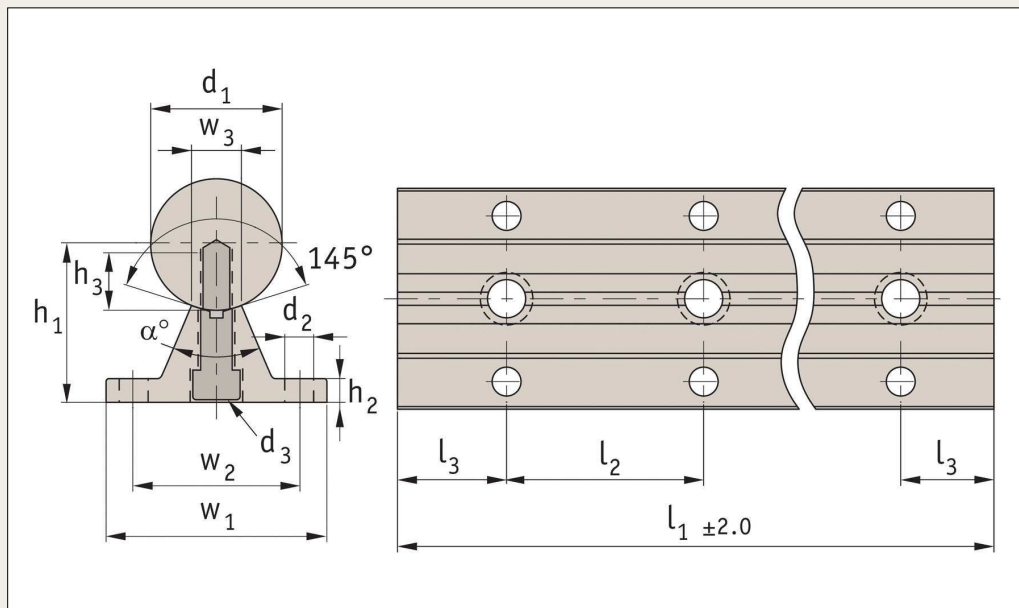


12Ø Shaft Support Rails

complete shaft and rail

Linear Shaft
Supports



L1780.12

Material

Hardened and ground carbon steel shaft (070M55, Cf53 - DIN 1.1213), aluminium alloy support rail. Surface hardness of steel shaft 60-65 HRC.

Technical notes

For open linear bushings, ensures a very rigid and stiff system. The shaft is pre-mounted to the shaft support rail. Standard lengths are shown which allow the distance to the first and last hole to be equal (ie $l_2/2$). Different holes pitches available on request. Straightness: $\pm 0.1\text{mm/metre}$.

Tips

For linear carriages see part no. L1755 (flanged) or L1752 (unflanged). Stainless steel carriages also available, see part no. L1756 (flanged) or L1753 (unflanged). On request a stainless steel (usually 440C) shaft can be mounted on the support rail.

Order No.	d_1 h6	l_1	$h_1 \pm 0,01$	l_2	w_1	w_2	w_3	d_2	d_3	h_2	h_3	l_3	α°
L1780.12-0240	12	240	22	120	40	29	5,8	4,5	M4x20	5	8	60	50
L1780.12-0360	12	360	22	120	40	29	5,8	4,5	M4x20	5	8	60	50
L1780.12-0480	12	480	22	120	40	29	5,8	4,5	M4x20	5	8	60	50
L1780.12-0600	12	600	22	120	40	29	5,8	4,5	M4x20	5	8	60	50
L1780.12-0720	12	720	22	120	40	29	5,8	4,5	M4x20	5	8	60	50
L1780.12-0840	12	840	22	120	40	29	5,8	4,5	M4x20	5	8	60	50
L1780.12-0960	12	960	22	120	40	29	5,8	4,5	M4x20	5	8	60	50
L1780.12-1080	12	1080	22	120	40	29	5,8	4,5	M4x20	5	8	60	50
L1780.12-1200	12	1200	22	120	40	29	5,8	4,5	M4x20	5	8	60	50
L1780.12-1320	12	1320	22	120	40	29	5,8	4,5	M4x20	5	8	60	50
L1780.12-1440	12	1440	22	120	40	29	5,8	4,5	M4x20	5	8	60	50
L1780.12-1560	12	1560	22	120	40	29	5,8	4,5	M4x20	5	8	60	50
L1780.12-1680	12	1680	22	120	40	29	5,8	4,5	M4x20	5	8	60	50
L1780.12-1800	12	1800	22	120	40	29	5,8	4,5	M4x20	5	8	60	50
L1780.12-1920	12	1920	22	120	40	29	5,8	4,5	M4x20	5	8	60	50
L1780.12-2040	12	2040	22	120	40	29	5,8	4,5	M4x20	5	8	60	50
L1780.12-2160	12	2160	22	120	40	29	5,8	4,5	M4x20	5	8	60	50
L1780.12-2280	12	2280	22	120	40	29	5,8	4,5	M4x20	5	8	60	50
L1780.12-2400	12	2400	22	120	40	29	5,8	4,5	M4x20	5	8	60	50
L1780.12-2520	12	2520	22	120	40	29	5,8	4,5	M4x20	5	8	60	50
L1780.12-2640	12	2640	22	120	40	29	5,8	4,5	M4x20	5	8	60	50
L1780.12-2760	12	2760	22	120	40	29	5,8	4,5	M4x20	5	8	60	50
L1780.12-2880	12	2880	22	120	40	29	5,8	4,5	M4x20	5	8	60	50
L1780.12-3000	12	3000	22	120	40	29	5,8	4,5	M4x20	5	8	60	50
L1780.12-3120	12	3120	22	120	40	29	5,8	4,5	M4x20	5	8	60	50
L1780.12-3240	12	3240	22	120	40	29	5,8	4,5	M4x20	5	8	60	50
L1780.12-3360	12	3360	22	120	40	29	5,8	4,5	M4x20	5	8	60	50

12Ø Shaft Support Rails

complete shaft and rail

Linear Shaft
Supports

Order No.	d ₁ h ₆	l ₁	h ₁ ±0,01	l ₂	w ₁	w ₂	w ₃	d ₂	d ₃	h ₂	h ₃	l ₃	α°
L1780.12-3480	12	3480	22	120	40	29	5,8	4,5	M4x20	5	8	60	50
L1780.12-3600	12	3600	22	120	40	29	5,8	4,5	M4x20	5	8	60	50
L1780.12-3720	12	3720	22	120	40	29	5,8	4,5	M4x20	5	8	60	50
L1780.12-3840	12	3840	22	120	40	29	5,8	4,5	M4x20	5	8	60	50
L1780.12-3960	12	3960	22	120	40	29	5,8	4,5	M4x20	5	8	60	50
L1780.12-4080	12	4080	22	120	40	29	5,8	4,5	M4x20	5	8	60	50
L1780.12-4200	12	4200	22	120	40	29	5,8	4,5	M4x20	5	8	60	50
L1780.12-4320	12	4320	22	120	40	29	5,8	4,5	M4x20	5	8	60	50
L1780.12-4440	12	4440	22	120	40	29	5,8	4,5	M4x20	5	8	60	50
L1780.12-4560	12	4560	22	120	40	29	5,8	4,5	M4x20	5	8	60	50
L1780.12-4680	12	4680	22	120	40	29	5,8	4,5	M4x20	5	8	60	50
L1780.12-4800	12	4800	22	120	40	29	5,8	4,5	M4x20	5	8	60	50
L1780.12-4920	12	4920	22	120	40	29	5,8	4,5	M4x20	5	8	60	50
L1780.12-5040	12	5040	22	120	40	29	5,8	4,5	M4x20	5	8	60	50
L1780.12-5160	12	5150	22	120	40	29	5,8	4,5	M4x20	5	8	60	50
L1780.12-5280	12	5280	22	120	40	29	5,8	4,5	M4x20	5	8	60	50
L1780.12-5400	12	5400	22	120	40	29	5,8	4,5	M4x20	5	8	60	50
L1780.12-5520	12	5520	22	120	40	29	5,8	4,5	M4x20	5	8	60	50
L1780.12-5640	12	5640	22	120	40	29	5,8	4,5	M4x20	5	8	60	50
L1780.12-5760	12	5760	22	120	40	29	5,8	4,5	M4x20	5	8	60	50
L1780.12-5880	12	5880	22	120	40	29	5,8	4,5	M4x20	5	8	60	50
L1780.12-6000	12	6000	22	120	40	29	5,8	4,5	M4x20	5	8	60	50

