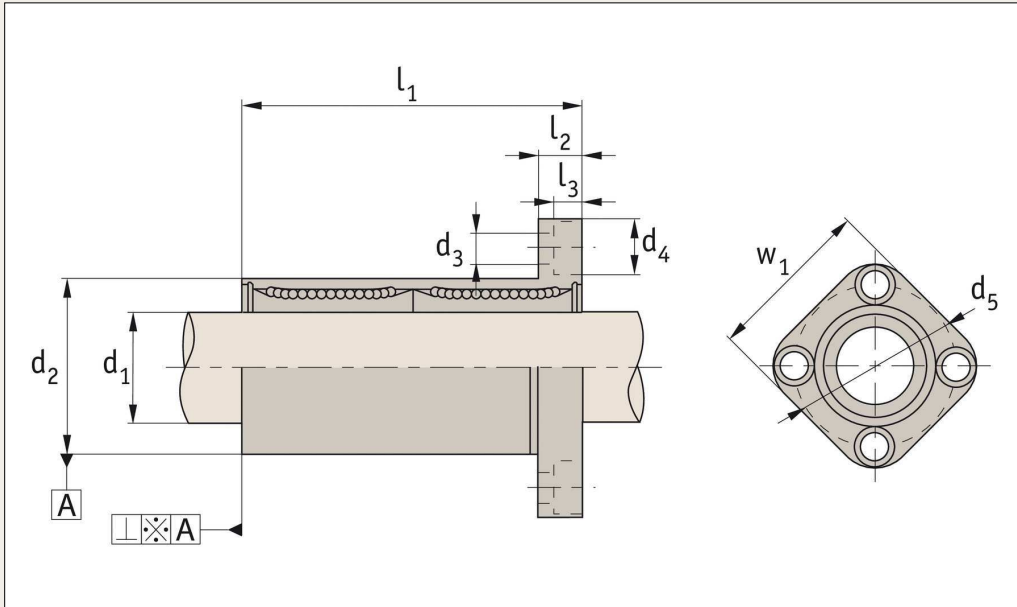


Stainless Ball Bushings

double compliment

Linear Bearings



L1725

Material

Stainless steel body (440C) with either a resin (POM) or stainless steel (316) retainer.
Stainless steel balls (440C).
Supplied with nitrile rubber (NBR)

end seals.

Technical notes

For use with corrosion resistant hardened shafts (see part no. L1772) - tolerance h6.

For part numbers with ⁻¹ shaft tolerance required is g6. Temperature range: For resin ball cage -20°C to +80°C.
For stainless ball cage -20°C to +120°C.

Order No	Ball cage	d ₁ tol. H6	d ₂ tol. h6	l ₁	d ₃	d ₄	d ₅	l ₂	l ₃	w ₁	Square-ness A μ	No. of ball circuits	Max. dynamic load C N	Max. static load C ₀ N	g
L1725.006-RS-1	Resin	6	12	35	3,4	6,5	20	5	3,3	22	15	4	320	520	31
L1725.008-RS	Resin	8	16	45	3,4	6,5	24	5	3,3	25	15	4	430	780	53
L1725.010-RS-1	Resin	10	19	55	4,5	8,0	29	6	4,4	30	15	4	580	1100	105
L1725.012-RS	Resin	12	22	57	4,5	8,0	32	6	4,4	32	15	4	650	1200	100
L1725.016-RS	Resin	16	26	70	4,5	8,0	36	6	4,4	35	15	5	1230	2350	187
L1725.020-RS	Resin	20	32	80	5,5	9,5	43	8	5,4	42	17	5	1400	2750	260
L1725.025-RS	Resin	25	40	112	5,5	9,5	51	8	5,4	50	17	6	1560	3140	515
L1725.006-SS-1	Stainless	6	12	35	3,4	6,5	20	5	3,3	22	15	4	320	520	31
L1725.008-SS	Stainless	8	16	45	3,4	6,5	24	5	3,3	25	15	4	430	780	53
L1725.010-SS-1	Stainless	10	19	55	4,5	8,0	29	6	4,4	30	15	4	580	1100	105
L1725.012-SS	Stainless	12	22	57	4,5	8,0	32	6	4,4	32	15	4	650	1200	100
L1725.016-SS	Stainless	16	26	70	4,5	8,0	36	6	4,4	35	15	5	1230	2350	187
L1725.020-SS	Stainless	20	32	80	5,5	9,5	43	8	5,4	42	17	5	1400	2750	260
L1725.025-SS	Stainless	25	40	112	5,5	9,5	51	8	5,4	50	17	6	1560	3140	515