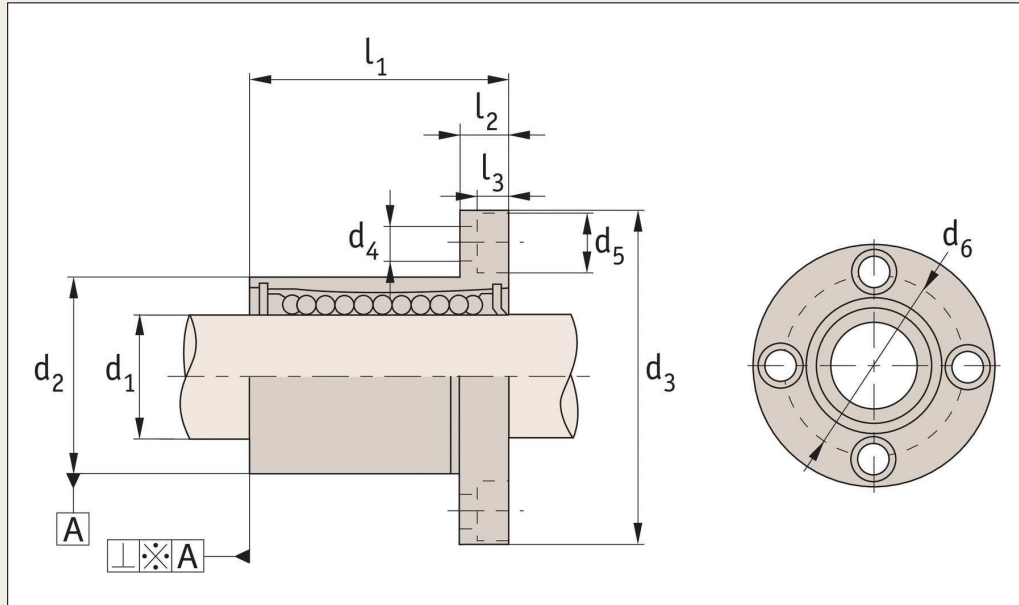


# Long Flanged Linear Ball Bushings

circular flange

Linear Bearings



## L1722

### Material

Hardened and ground body from bearing steel.  
Single body resin retainer (POM).  
Supplied with nitrile rubber (NBR) end-seals -UU as standard.

For use with hardened shafts only (see part nos. L1770 - L1772) - tolerance h6. For part numbers with <sup>-1</sup> shaft tolerance required is g6.  
Temperature range : -20°C to +80°C.  
Steel ball retainers can be supplied for higher temperature applications (up to +120°C - with no end seals).

Please advise at time of ordering if this is required.

### Tips

Nickel plated version with stainless steel balls (for corrosion resistance) on request - or stainless steel version part no. L1724.

### Technical notes

Order No	d <sub>1</sub> H6	d <sub>2</sub> h6	l <sub>1</sub>	d <sub>3</sub> h4	d <sub>4</sub>	d <sub>5</sub>	d <sub>6</sub>	l <sub>2</sub>	l <sub>3</sub>	Square-ness A μ	No. of ball circuits	Max. dynamic load C <sub>d</sub> N	Max. static load C <sub>0</sub> N	g
L1722.006-1	6	12	35	28	3,4	6,5	20	5	3,3	12	4	320	520	31
L1722.008	8	16	45	32	3,4	6,5	24	5	3,3	12	4	430	780	53
L1722.010-1	10	19	55	40	4,5	8,0	29	6	4,4	12	4	580	1100	105
L1722.012	12	22	57	42	4,5	8,0	32	6	4,4	12	4	650	1200	100
L1722.016	16	26	70	46	4,5	8,0	36	6	4,4	12	5	1230	2350	187
L1722.020	20	32	80	54	5,5	9,5	43	8	5,4	15	5	1400	2750	260
L1722.025	25	40	112	62	5,5	9,5	51	8	5,4	15	6	1560	3140	515
L1722.030	30	47	123	76	6,6	11,0	62	10	6,5	15	6	2490	5490	655
L1722.040	40	62	154	98	9,0	14,0	80	13	8,6	20	6	3430	8040	1560
L1722.050	50	75	192	112	9,0	14,0	94	13	8,6	20	6	6080	15900	3500
L1722.060	60	90	211	134	11,0	17,5	112	18	10,8	25	6	7650	20000	4500