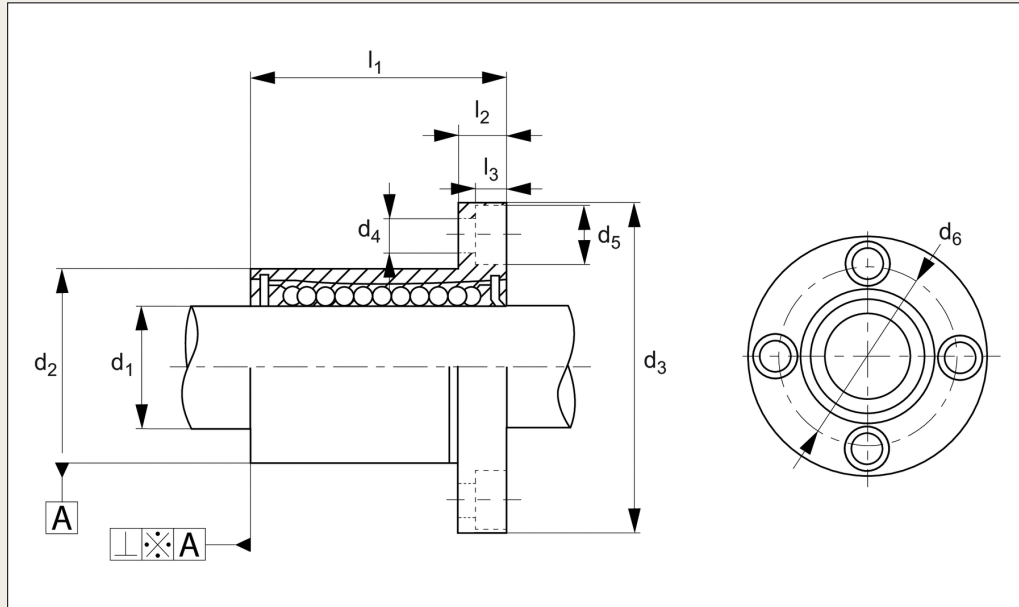


# Flanged Linear Ball Bushings

circular flange

Linear Bearings



## L1718

### Material

Hardened and ground body from bearing steel.  
Single body resin retainer (POM).  
Supplied with nitrile rubber (NBR) end-seals -UU as standard.

For use with hardened shafts only (see part nos. L1770 - L1772) - tolerance h6.

For part numbers with <sup>-1</sup> shaft tolerance required is g6. Temperature range : -20°C to +80°C.

Steel ball retainers can be supplied for higher temperature applications (up to +120°C - with no end seals).

Please advise at time of ordering if this is required.

### Tips

Nickel plated version with stainless steel balls (for corrosion resistance) on request - or stainless steel version no. L1720.

### Technical notes

Order No.	d <sub>1</sub> tol. H6	d <sub>2</sub> tol. h6	l <sub>1</sub>	d <sub>3</sub> tol. h4	d <sub>4</sub>	d <sub>5</sub>	d <sub>6</sub>	l <sub>2</sub>	l <sub>3</sub>	Square-ness A μ	No. of ball circuit s	Max. dynamic load C N	Max. static load C <sub>0</sub> N	g
L1718.006-1	6	12	19	28	3,4	6,5	20	5	3,3	12	4	200	260	26,5
L1718.008	8	16	25	32	3,4	6,5	24	5	3,3	12	4	260	400	44,0
L1718.010-1	10	19	29	40	4,5	8,0	29	6	4,4	12	4	370	540	78,0
L1718.012	12	22	32	42	4,5	8,0	32	6	4,4	12	4	410	590	86,0
L1718.016	16	26	36	46	4,5	8,0	36	6	4,4	12	5	770	1170	120,0
L1718.020	20	32	45	54	5,5	9,5	43	8	5,4	15	5	860	1370	184,0
L1718.025	25	40	58	62	5,5	9,5	51	8	5,4	15	6	980	1560	335,0
L1718.030	30	47	68	76	6,6	11,0	62	10	6,5	15	6	1560	2740	545,0
L1718.040	40	62	80	98	9,0	14,0	80	13	8,6	20	6	2150	4010	1185,0
L1718.050	50	75	100	112	9,0	14,0	94	13	8,6	20	6	3820	7930	1730,0
L1718.060	60	90	125	134	11,0	17,5	112	18	10,8	25	6	4700	9990	3180,0