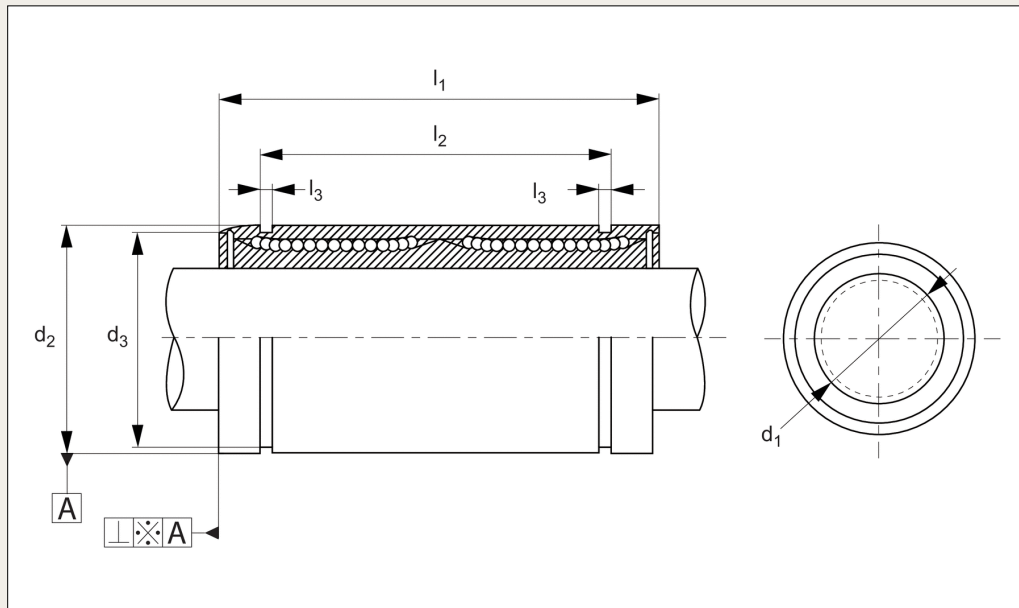


# Long Linear Ball Bushings

double compliment

Linear Bearings



## L1712

### Material

Hardened and ground body from bearing steel.  
Single body resin retainer (POM).  
Supplied with nitrile rubber (NBR) end-seals -UU as standard.

For use with hardened shafts only (see part nos. L1770 - L1772) - tolerance h6.


Perpendicularity A is better than 15 $\mu$ .  
Temperature range: -20°C to +80°C.  
Steel ball retainers can be supplied for higher temperature applications up to +120°C - with no end seals.

Please advise at time of ordering if this is required.

### Tips

Nickel plated version with stainless steel balls (for corrosion resistance) on request - or stainless steel version no. L1713.

### Technical notes

Order No.	d <sub>1</sub> tol. H6	d <sub>2</sub> tol. h6	l <sub>1</sub>	d <sub>3</sub>	l <sub>2</sub>	l <sub>3</sub>	No. of ball circuits	Max. dynamic load C N	Max. static load C <sub>0</sub> N	 g
L1712.008	8	16	45	15,2	33,0	1,10	4	430	780	31
L1712.012	12	22	57	21,0	45,8	1,30	4	650	1200	80
L1712.012-1	12	22	61	21,0	45,8	1,30	4	830	1600	80
L1712.016	16	26	70	24,9	49,8	1,30	5	1230	2350	145
L1712.020	20	32	80	30,3	61,0	1,60	5	1400	2750	180
L1712.025	25	40	112	38,0	82,0	1,85	6	1560	3140	440
L1712.030	30	47	123	44,5	104,2	1,85	6	2490	5490	580
L1712.040	40	62	154	59,0	121,2	2,15	6	3430	8040	1170
L1712.050	50	75	192	72,0	155,2	2,65	6	6080	15900	3100
L1712.060	60	90	211	86,5	170,0	3,15	6	7650	20000	3500