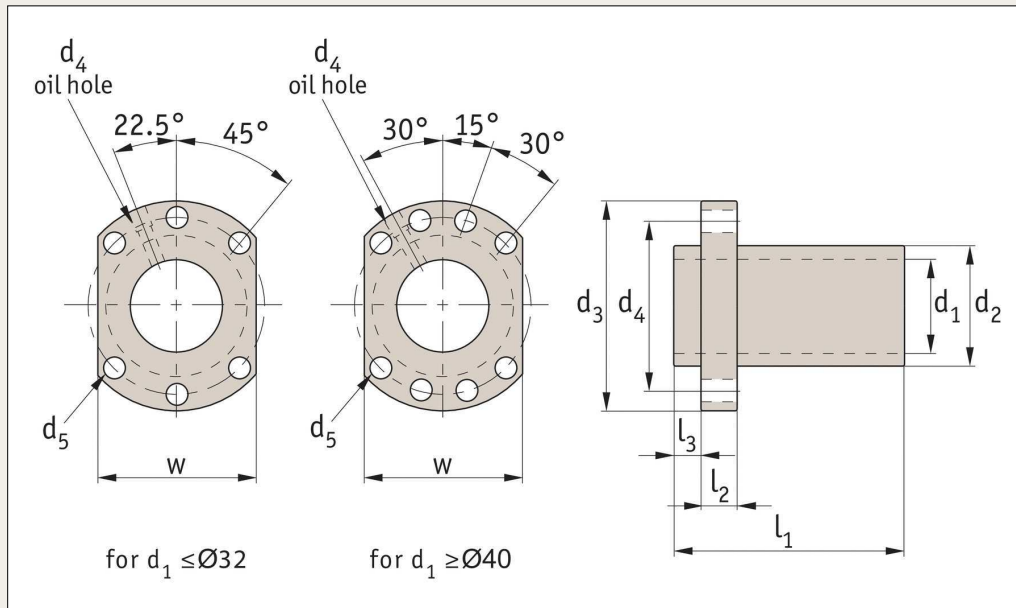


# Centre Flanged Ball Nuts

DIN 69051 form B

Ball Screw & Nuts



## L1382

### Material

Steel (16MnCr5 or 100Cr6), with Vulkolan seals.

### Technical notes

Axial play for 5mm pitch = 0,05mm;  
for 10mm pitch = 0,10mm; for multi-starts = 0,20mm.  
Preload max. 5% of max. dynamic

load.

For axial run-out, concentricity and parallelism figures see technical pages.

With lubrication and fixing holes.  
For use with ball screws no. L1385.

### Tips

For miniature ball screws Ø6 to Ø14 see part no. L1379.

### Important notes

Fit ball nut to screw using the sleeve provided. Offer up the ball nut to the screw and slide carefully on. Do not remove the ball nut from the sleeve provided - the ball bearings can come loose rendering the ball nut unusable.

Order No.	d <sub>1</sub> for screw Ø	Lead	d <sub>2</sub> g <sub>6</sub>	d <sub>3</sub>	d <sub>4</sub>	d <sub>5</sub>	d <sub>6</sub>	l <sub>1</sub>	l <sub>2</sub>	l <sub>3</sub>	w ±0,15	Ball Ø	Max. dyn. Load C kN	Max. static load C <sub>0</sub> kN	Stiffness N/µ
L1382.12-05	12	5	24	40	32	4,5	-	30	10	5,0	30	2,500	6,74	13,41	186
L1382.16-05	16	5	28	48	38	5,5	M6	37	10	5,0	40	2,778	11,34	25,56	294
L1382.16-10	16	10	28	48	38	5,5	M6	45	10	5,0	40	2,778	8,55	18,62	226
L1382.16-16	16	16	28	48	38	5,5	M6	45	10	5,0	40	2,778	5,63	11,59	137
L1382.20-05	20	5	36	58	47	6,6	M6	37	10	7,0	44	3,175	15,13	37,52	363
L1382.20-10	20	10	36	58	47	6,6	M6	55	10	7,0	44	3,175	15,45	39,07	392
L1382.20-20	20	20	36	58	47	6,6	M6	54	11	7,0	44	3,175	7,79	17,92	186
L1382.25-05	25	5	40	62	51	6,6	M6	37	10	7,0	48	3,175	16,82	47,48	442
L1382.25-10	25	10	40	62	51	6,6	M6	55	12	7,0	48	3,175	16,70	47,23	441
L1382.25-25	25	25	40	62	51	6,6	M6	64	12	7,0	48	3,175	8,59	22,42	216
L1382.32-05	32	5	50	80	65	9,0	M6	37	12	9,0	62	3,175	18,75	61,43	500
L1382.32-10	32	10	50	80	65	9,0	M6	57	13	9,0	62	3,969	25,08	73,96	540
L1382.32-20	32	20	50	80	65	9,0	M6	76	12	9,0	62	3,969	19,44	55,88	422
L1382.40-05	40	5	63	93	78	9,0	M6	42	15	9,0	62	3,175	20,57	77,36	589
L1382.40-10	40	10	63	93	78	9,0	M6	60	14	9,0	70	6,350	51,33	142,13	657
L1382.50-05	50	5	75	110	93	11,0	M8	42	15	10,5	85	3,175	22,50	97,27	667
L1382.50-10	50	10	75	110	93	11,0	M8	60	18	10,5	85	6,350	57,47	181,98	775