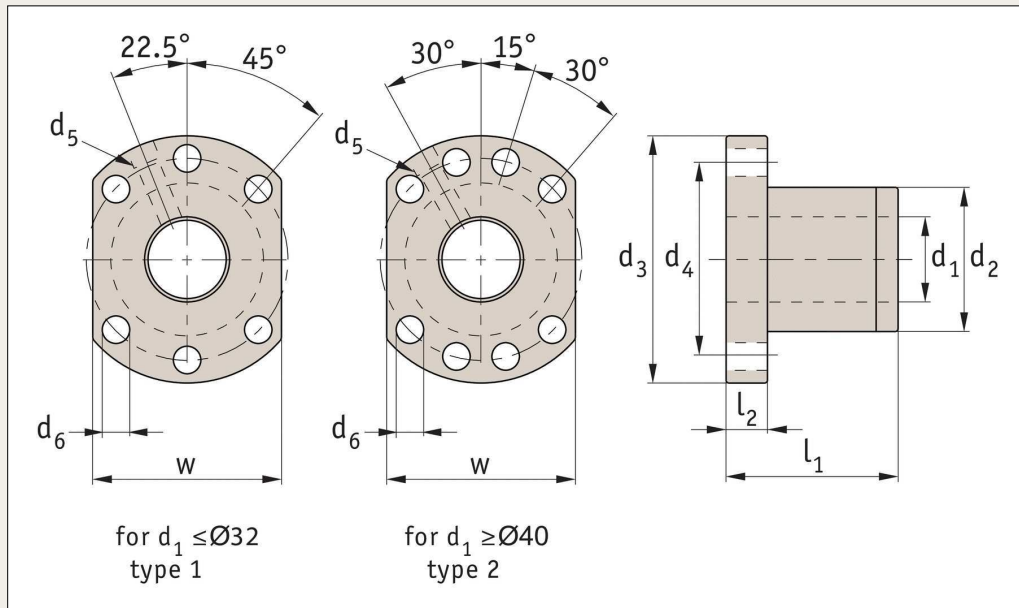


Flanged Ball Nuts

DIN 69051, form B



L1380

Material

Steel (16MnCr5 or 100Cr6), with Vulkolan seals.

Technical notes

To DIN 69051 form B.
Axial play for 5mm pitch = 0,05mm;
for 10mm pitch = 0,10mm; for
multi-starts = 0,20mm.
Preload max. 5% of max. dynamic

load.

For axial run-out, concentricity and parallelism figures see technical pages.

With lubrication and fixing holes.
For use with ball screws no. L1385.

Tips

For easy mounting of the ball screw nuts see the nut bracket - part L1387.

For miniature ball screws $\text{Ø}6$ to $\text{Ø}14$ see part no. L1379.

Important notes

Fit ball nut to screw using the sleeve provided. Offer up the ball nut to the screw and slide carefully on. Do not remove the ball nut from the sleeve provided - the ball bearings can come loose rendering the ball nut unusable.

Order No.	d_1 for screw Ø	Lead	Type	d_2 g6	d_3 $\pm 0,15$	d_4 $\pm 0,15$	d_5 for	Stiffness N/ μ	d_6	l_1	l_2	w $\pm 0,15$	Ball Ø	Max. dyn. load C kN	Max. static load C_0 kN
L1380.16-05	16	5	type 1	28	48	38	M6	314	5,5	45	10	40	3,175	13,53	29,92
L1380.16-10	16	10	type 1	28	48	38	M6	255	5,5	57	10	40	3,175	10,82	23,55
L1380.20-05	20	5	type 1	36	58	47	M6	382	6,6	51	10	44	3,175	15,21	38,00
L1380.25-05	25	5	type 1	40	62	51	M6	441	6,6	51	10	48	3,175	16,91	48,09
L1380.25-10	25	10	type 1	40	62	51	M6	490	6,6	80	12	48	4,762	28,96	71,54
L1380.32-05	32	5	type 1	50	80	65	M6	529	9,0	52	12	62	3,175	18,85	62,21
L1380.32-10	32	10	type 1	50	80	65	M6	598	9,0	85	12	62	6,350	47,12	119,72
L1380.40-05	40	5	type 2	63	93	78	M8	617	9,0	55	14	70	3,175	20,69	78,34
L1380.40-10	40	10	type 2	63	93	78	M8	715	9,0	88	14	70	6,350	52,95	152,00
L1380.50-10	50	10	type 2	75	110	93	M8	833	11,0	88	16	85	6,350	58,88	192,35
L1380.63-10	63	10	type 2	90	125	108	M8	970	11,0	93	18	95	6,350	65,89	248,68
L1380.80-10	80	10	type 2	105	145	125	M8	1068	14,0	93	20	110	6,350	72,04	313,36