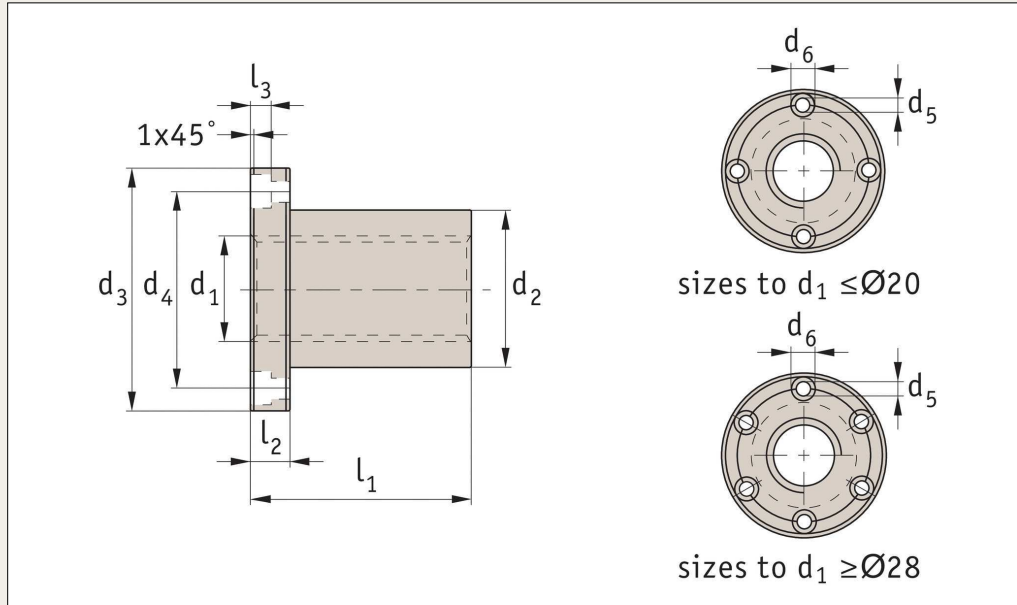


Flanged Self-Lubricating Plastic Nut

for lead screws

Lead Screws & Nuts



L1342

Material

Plastic (PA6.6 & MoS2).

This nut type is made of a very wear resistant, self-lubricating plastic. The extra length of these lead screw nuts (three x nominal thread Ø) greatly reduces wear.

Tips

Standard nuts are right hand thread. For use with steel or stainless steel lead screws, L1320, L1321, L1322, and L1323.

Technical notes

Order No.	Size	d ₁ 7H	Lead	Thread direction	d ₂ +0.0,-0.3	d ₃ +0.0,-0.1	d ₄	d ₅	d ₆	l ₁	l ₂	l ₃	No. of starts	Contact surface mm ²	⚖ Kg
L1342.R12-03	TR12x 3	12	3	Right	18	37	26	4,5	7,5	36	12	4,2	1	594	0,02
L1342.R16-04	TR16x 4	16	4	Right	22	45	32	5,5	9,5	48	16	5,2	1	1056	0,03
L1342.R20-04	TR20x 4	20	4	Right	30	52	40	5,5	9,5	60	20	5,2	1	1696	0,06
L1342.R20-08	TR20x 8	20	8	Right	30	52	40	5,5	9,5	60	20	5,2	2	1696	0,06
L1342.R28-05	TR28x 5	28	5	Right	40	68	53	6,5	11,0	90	30	6,5	1	3600	0,14
L1342.R28-10	TR28x10	28	10	Right	40	68	53	6,5	11,0	90	30	6,5	2	3600	0,14
L1342.R30-06	TR30x 6	30	6	Right	40	68	53	6,5	11,0	90	30	6,5	1	3816	0,13
L1342.R40-07	TR40x 7	40	7	Right	55	84	68	8,5	14,0	120	40	8,5	1	6880	0,29
L1342.R50-08	TR50x 8	50	8	Right	65	100	80	10,5	17,0	150	50	10,5	1	10840	0,48
L1342.L12-03	TR12x3	12	3	Left	18	37	26	4,5	7,5	36	12	4,2	1	594	0,02
L1342.L16-04	TR16x4	16	4	Left	22	45	32	5,5	9,5	48	16	5,2	1	1056	0,03
L1342.L20-04	TR20x4	20	4	Left	30	52	40	5,5	9,5	60	20	5,2	1	1696	0,06
L1342.L28-05	TR28x5	28	5	Left	40	68	53	6,5	11,0	90	30	6,5	1	3600	0,14
L1342.L30-06	TR30x6	30	6	Left	40	68	53	6,5	11,0	90	30	6,5	1	3816	0,13
L1342.L40-07	TR40x7	40	7	Left	55	84	68	8,5	14,0	120	40	8,5	1	6880	0,29
L1342.L50-08	TR50x8	50	8	Left	65	100	80	10,5	17,0	150	50	10,5	1	10840	0,48