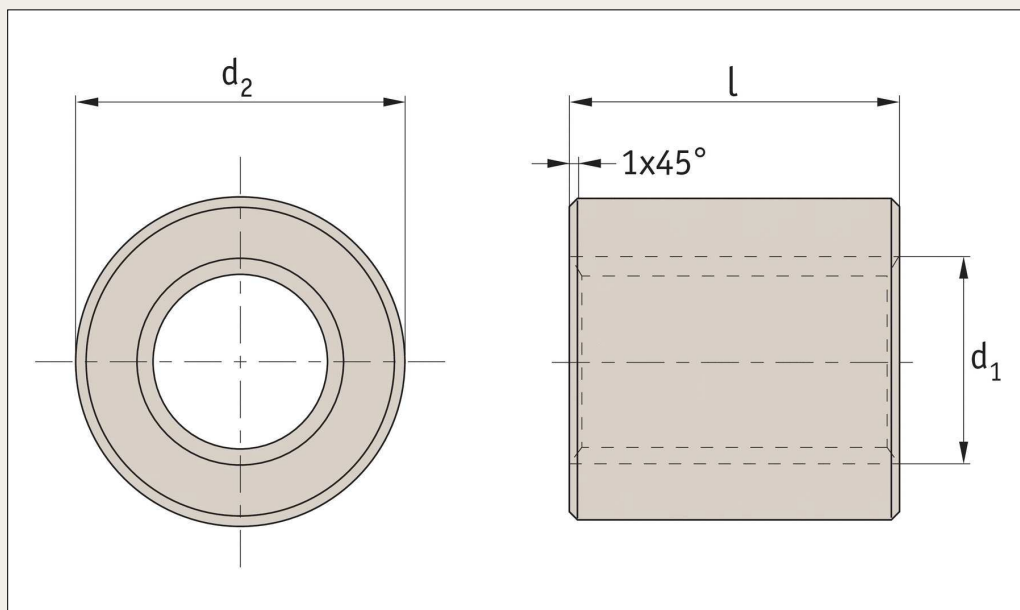


Cylindrical Stainless Steel Nuts

for lead screws

Lead Screws & Nuts



L1341

Material

Stainless steel (AISI 303).

Technical notes

Especially suitable to withstand corrosive chemicals.

Tips

Standard nuts are right hand thread. For use with stainless steel lead screws nos. L1322 and L1323.

Order No.	Size	d ₁ 7H	Lead<>	Thread direction	d ₂ h11	l +0.0,-0.2	No. of starts	Contact surface mm ²	⚖ Kg
L1341.R12-03	TR12x3	12	3	Right	26	18	1	297	0,060
L1341.R16-04	TR16x4	16	4	Right	36	24	1	528	0,157
L1341.R20-04	TR20x4	20	4	Right	45	30	1	847	0,305
L1341.R24-05	TR24x5	24	5	Right	50	36	1	1215	0,436
L1341.R30-06	TR30x6	30	6	Right	60	45	1	1908	0,766
L1341.R36-06	TR36x6	36	6	Right	75	54	1	2799	1,462
L1341.R40-07	TR40x7	40	7	Right	80	60	1	3440	1,808
L1341.R50-08	TR50x8	50	8	Right	90	75	1	5418	2,653
L1341.L12-03	TR12x3	12	3	Left	26	18	1	297	0,060
L1341.L16-04	TR16x4	16	4	Left	36	24	1	528	0,157
L1341.L20-04	TR20x4	20	4	Left	45	30	1	847	0,305
L1341.L24-05	TR24x5	24	5	Left	50	36	1	1215	0,436
L1341.L30-06	TR30x6	30	6	Left	60	45	1	1908	0,766
L1341.L36-06	TR36x6	36	6	Left	75	54	1	2799	1,462
L1341.L40-07	TR40x7	40	7	Left	80	60	1	3440	1,808
L1341.L50-08	TR50x8	50	8	Left	90	75	1	5418	2,653