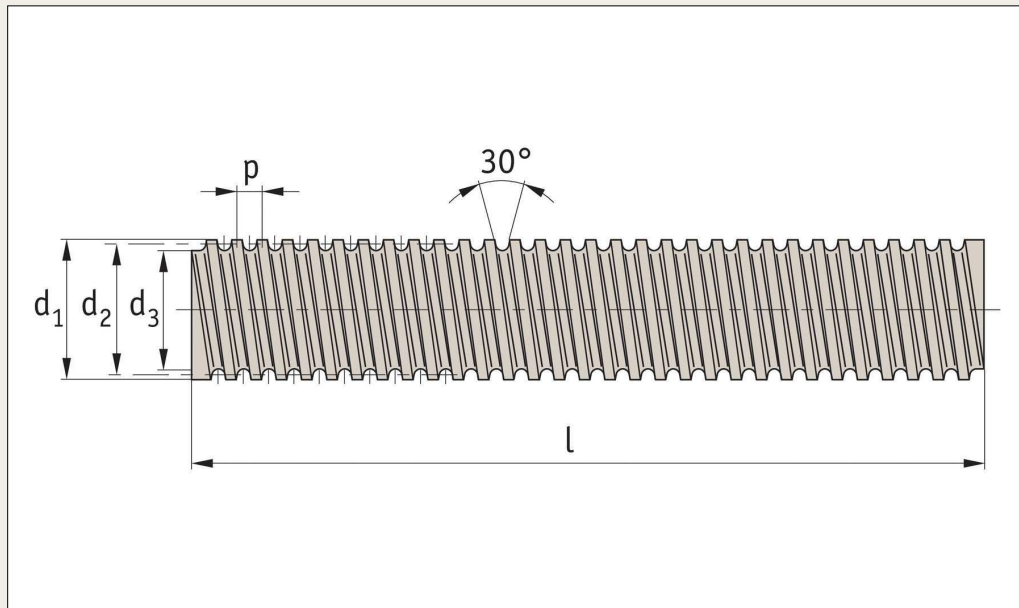


Stainless Lead Screws

left hand thread

Lead Screws & Nuts



L1323

Material

Rolled trapezoidal thread, stainless steel (AISI 316L, A4). Resistant to nearly all types of corrosion (can be used in a wet or corrosive environment). Manufactured to ISO 2901/2093, DIN103. Surface hardness approx. 280HB.

Technical notes

'Lead' refers to the distance that a nut will travel for a complete revolution of the screw. Select a suitable lead screw nut (part nos. L1330 to L1343) to suit the lead screw - the most popular nuts are the flanged, bronze nuts part no. L1331.

Tips

These are stainless steel left hand thread lead screws. For the standard right hand threads in stainless steel see part no. L1322. Cutting to required length and machining of ends - on request. Lead screw lengths of up to 6 metres can be provided for a diameter >30mm.

Order No.	Size	$d_{1.7e}$	Lead	p	l	No. of starts	$d_{2.7e}$ min.	$d_{2.7e}$ max.	$d_{3.7h}$ min.	$d_{3.7h}$ max.	Pitch accuracy mm/300m	Straightness m/300mm	Lead angle	⚖ Kg
L1323.L12-03-1.0	TR12x3	12	3	3	1000	1	10,191	10,415	7,685	8,500	0,3	0,5	5°17'	0,65
L1323.L12-03-1.5	TR12x3	12	3	3	1500	1	10,191	10,415	7,685	8,500	0,3	0,5	5°17'	0,97
L1323.L12-03-2.0	TR12x3	12	3	3	2000	1	10,191	10,415	7,685	8,500	0,3	0,5	5°17'	1,30
L1323.L12-03-3.0	TR12x3	12	3	3	3000	1	10,191	10,415	7,685	8,500	0,3	0,5	5°17'	1,95
L1323.L16-04-1.0	TR16x4	16	4	4	1000	1	13,640	13,905	10,474	11,500	0,2	0,1	5°16'	1,17
L1323.L16-04-1.5	TR16x4	16	4	4	1500	1	13,640	13,905	10,474	11,500	0,2	0,1	5°16'	1,75
L1323.L16-04-2.0	TR16x4	16	4	4	2000	1	13,640	13,905	10,474	11,500	0,2	0,1	5°16'	2,34
L1323.L16-04-3.0	TR16x4	16	4	4	3000	1	13,640	13,905	10,474	11,500	0,2	0,1	5°16'	3,51
L1323.L20-04-1.0	TR20x4	20	4	4	1000	1	17,640	17,905	14,474	15,500	0,2	0,1	4°05'	1,94
L1323.L20-04-1.5	TR20x4	20	4	4	1500	1	17,640	17,905	14,474	15,500	0,2	0,1	4°05'	2,91
L1323.L20-04-2.0	TR20x4	20	4	4	2000	1	17,640	17,905	14,474	15,500	0,2	0,1	4°05'	3,88
L1323.L20-04-3.0	TR20x4	20	4	4	3000	1	17,640	17,905	14,474	15,500	0,2	0,1	4°05'	5,82
L1323.L24-05-1.0	TR24x5	24	5	5	1000	1	21,094	21,394	17,269	18,500	0,5	0,1	4°17'	2,78
L1323.L24-05-1.5	TR24x5	24	5	5	1500	1	21,094	21,394	17,269	18,500	0,5	0,1	4°17'	4,17
L1323.L24-05-2.0	TR24x5	24	5	5	2000	1	21,094	21,394	17,269	18,500	0,5	0,1	4°17'	5,56
L1323.L24-05-3.0	TR24x5	24	5	5	3000	1	21,094	21,394	17,269	18,500	0,5	0,1	4°17'	8,34
L1323.L30-06-1.0	TR30x6	30	6	6	1000	1	26,547	26,882	21,563	23,000	0,5	0,1	4°05'	4,35
L1323.L30-06-1.5	TR30x6	30	6	6	1500	1	26,547	26,882	21,563	23,000	0,5	0,1	4°05'	6,52
L1323.L30-06-2.0	TR30x6	30	6	6	2000	1	26,547	26,882	21,563	23,000	0,5	0,1	4°05'	8,70
L1323.L30-06-3.0	TR30x6	30	6	6	3000	1	26,547	26,882	21,563	23,000	0,5	0,1	4°05'	13,05

Stainless Lead Screws

left hand thread

Lead Screws & Nuts

Order No.	Size	d _{1 7e}	Lead	p	l	No. of starts	d _{2 7e} min.	d _{2 7e} max.	d _{3 7h} min.	d _{3 7h} max.	Pitch accuracy mm/300mm	Straightness mm/300mm	Lead angle	⚖️ Kg
L1323.L32-06-1.0	TR32x6	32	6	6	1000	1	28,547	28,882	23,563	25,000	0,5	0,1	3°48'	5,03
L1323.L32-06-1.5	TR32x6	32	6	6	1500	1	28,547	28,882	23,563	25,000	0,5	0,1	3°48'	7,54
L1323.L32-06-2.0	TR32x6	32	6	6	2000	1	28,547	28,882	23,563	25,000	0,5	0,1	3°48'	10,06
L1323.L32-06-3.0	TR32x6	32	6	6	3000	1	28,547	28,882	23,563	25,000	0,5	0,1	3°48'	15,09
L1323.L36-06-1.0	TR36x6	36	6	6	1000	1	32,547	32,882	27,563	29,000	0,5	0,1	3°20'	6,54
L1323.L36-06-1.5	TR36x6	36	6	6	1500	1	32,547	32,882	27,563	29,000	0,5	0,1	3°20'	9,81
L1323.L36-06-2.0	TR36x6	36	6	6	2000	1	32,547	32,882	27,563	29,000	0,5	0,1	3°20'	13,08
L1323.L36-06-3.0	TR36x6	36	6	6	3000	1	32,547	32,882	27,563	29,000	0,5	0,1	3°20'	19,62
L1323.L40-07-1.0	TR40x7	40	7	7	1000	1	36,020	36,375	30,381	32,000	0,5	0,15	3°31'	7,98
L1323.L40-07-1.5	TR40x7	40	7	7	1500	1	36,020	36,375	30,381	32,000	0,5	0,15	3°31'	11,97
L1323.L40-07-2.0	TR40x7	40	7	7	2000	1	36,020	36,375	30,381	32,000	0,5	0,15	3°31'	15,96
L1323.L40-07-3.0	TR40x7	40	7	7	3000	1	36,020	36,375	30,381	32,000	0,5	0,15	3°31'	23,94
L1323.L60-09-1.0	TR60x9	60	9	9	1000	1	54,935	55,360	47,979	50,000	0,05	0,15	2°58'	18,49
L1323.L60-09-1.5	TR60x9	60	9	9	1500	1	54,935	55,360	47,979	50,000	0,05	0,15	2°58'	27,73
L1323.L60-09-2.0	TR60x9	60	9	9	2000	1	54,935	55,360	47,979	50,000	0,05	0,15	2°58'	36,98
L1323.L60-09-3.0	TR60x9	60	9	9	3000	1	54,935	55,360	47,979	50,000	0,05	0,15	2°58'	55,47
L1323.L70-10-1.0	TR70x10	70	10	10	1000	1	64,425	64,850	56,819	59,000	0,05	0,15	2°49'	25,62
L1323.L70-10-1.5	TR70x10	70	10	10	1500	1	64,425	64,850	56,819	59,000	0,05	0,15	2°49'	38,43
L1323.L70-10-2.0	TR70x10	70	10	10	2000	1	64,425	64,850	56,819	59,000	0,05	0,15	2°49'	51,24
L1323.L70-10-3.0	TR70x10	70	10	10	3000	1	64,425	64,850	56,819	59,000	0,05	0,15	2°49'	76,86