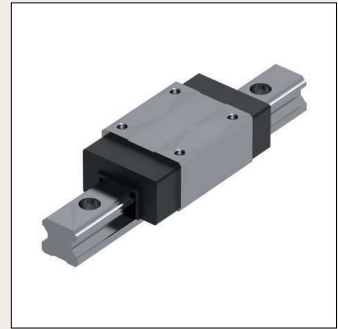
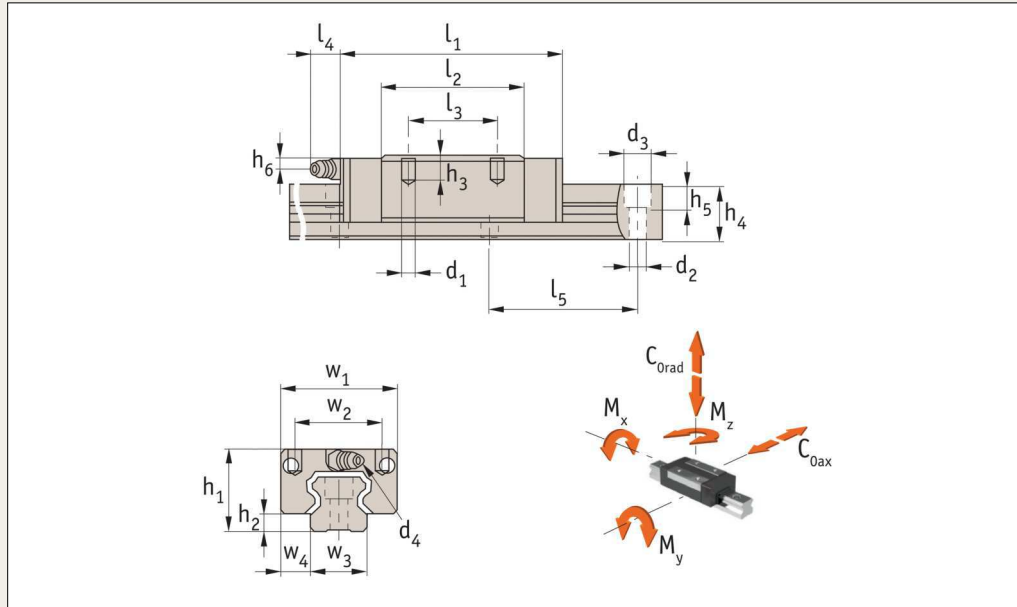


Unflanged Carriages - Standard

with retained ball cage



L1016.U

Material

Hardened and ground steel.

Technical notes

Select the size and number of carriages to suit the required load

then select the required rail length, (see part nos. L1016.15 through to L1016.55).

Standard preload carriages are K_0 (no preload) or K_1 ($0,02 \times$ dynamic load capacity). Other preloads available on request.

Tips

Improved version with ball cages allowing the carriages to be removed from the rail without the balls falling out.

Order No.	Rail size	h_1	w_1	l_1	h_2	h_3	h_4	h_5	h_6	w_2	w_3	w_4	l_2	l_3	l_4	l_5	d_1	$\frac{kg}{kg}$
L1016.U15	15	28	34	58,6	3,3	6,0	13,0	6,0	9,5	26	15	9,5	40,2	26	5,0	60	M 4	0,19
L1016.U20	20	30	44	69,3	4,5	6,5	16,3	8,5	7,1	32	20	12,0	48,5	36	15,6	60	M 5	0,31
L1016.U20-L	20	30	44	82,1	4,5	6,5	16,3	8,5	7,1	32	20	12,0	61,3	36	15,6	60	M 5	0,36
L1016.U25	25	40	48	79,2	5,8	9,0	19,2	9,0	14,2	35	23	12,5	57,5	35	15,6	60	M 6	0,45
L1016.U25-L	25	40	48	93,9	5,8	9,0	19,2	9,0	14,2	35	23	12,5	72,2	35	15,6	60	M 6	0,66
L1016.U25-XL	25	40	48	108,6	5,8	9,0	19,2	9,0	14,2	35	23	12,5	86,9	50	15,6	60	M 6	0,80
L1016.U30	30	45	60	94,8	7,0	12,0	22,8	12,0	13,0	40	28	16,0	67,8	40	15,6	80	M 8	0,91
L1016.U30-L	30	45	60	105,0	7,0	12,0	22,8	12,0	13,0	40	28	16,0	78,0	40	15,6	80	M 8	1,04
L1016.U30-XL	30	45	60	130,5	7,0	12,0	22,8	12,0	13,0	40	28	16,0	103,5	60	15,6	80	M 8	1,36
L1016.U35	35	55	70	111,5	7,5	12,0	26,0	12,0	18,5	50	34	18,0	80,5	50	15,6	80	M 8	1,50
L1016.U35-L	35	55	70	123,5	7,5	12,0	26,0	12,0	18,5	50	34	18,0	92,5	50	15,6	80	M 8	1,80
L1016.U35-XL	35	55	70	153,5	7,5	12,0	26,0	12,0	18,5	50	34	18,0	122,5	72	15,6	80	M 8	2,34
L1016.U45	45	70	86	129,0	8,9	18,0	31,1	17,0	24,5	60	45	20,5	94,0	60	16,0	105	M10	2,28
L1016.U45-L	45	70	86	145,0	8,9	18,0	31,1	17,0	24,5	60	45	20,5	110,0	60	16,0	105	M10	2,67
L1016.U45-XL	45	70	86	174,0	8,9	18,0	31,1	17,0	24,5	60	45	20,5	139,0	80	16,0	105	M10	3,35
L1016.U55	55	80	100	155,0	12,7	22,0	38,0	20,0	24,0	75	53	23,5	116,0	75	16,0	120	M12	3,42
L1016.U55-L	55	80	100	193,0	12,7	22,0	38,0	20,0	24,0	75	53	23,5	154,0	75	16,0	120	M12	4,57
L1016.U55-XL	55	80	100	210,0	12,7	22,0	38,0	20,0	24,0	75	53	23,5	171,0	95	16,0	120	M12	5,08

Order No.	d_2	d_3	d_4	Dynamic load C kN	Static load $C_{0rad+ax}$ kN	M_x Nm	M_y Nm	M_z Nm
L1016.U15	4,5	7,5	M3 x 0,5	11,67	19,90	137	120	120
L1016.U20	6,0	9,5	M6 x 1,0	17,98	30,96	289	224	224
L1016.U20-L	6,0	9,5	M6 x 1,0	23,30	40,11	376	366	366
L1016.U25	7,0	11,0	M6 x 1,0	25,25	41,73	447	358	358
L1016.U25-L	7,0	11,0	M6 x 1,0	32,44	53,63	576	577	577
L1016.U25-XL	7,0	11,0	M6 x 1,0	36,58	64,30	691	833	833
L1016.U30	9,0	14,0	M6 x 1,0	37,33	55,50	719	560	560
L1016.U30-L	9,0	14,0	M6 x 1,0	48,35	71,88	931	836	836
L1016.U30-XL	9,0	14,0	M6 x 1,0	53,83	88,18	1142	1361	1361

Unflanged Carriages - Standard

with retained ball cage

Linear Guideways

Order No.	d ₂	d ₃	d ₄	Dynamic load C kN	Static load C _{Orad + ax} kN	M _x Nm	M _y Nm	M _z Nm
L1016.U35	9,0	14,0	M6 x 1,0	53,31	82,66	1307	991	991
L1016.U35-L	9,0	14,0	M6 x 1,0	66,61	103,29	1633	1424	1424
L1016.U35-XL	9,0	14,0	M6 x 1,0	73,29	127,68	2020	2330	2330
L1016.U45	14,0	20,0	M8 x 1,25	73,14	111,30	2353	1559	1559
L1016.U45-L	14,0	20,0	M8 x 1,25	86,99	132,39	2798	2170	2170
L1016.U45-XL	14,0	20,0	M8 x 1,25	100,52	166,87	3527	3455	3455
L1016.U55	16,0	23,0	M8 x 1,25	88,26	136,62	3385	2361	2361
L1016.U55-L	16,0	23,0	M8 x 1,25	119,10	183,14	4538	4202	4202
L1016.U55-XL	16,0	23,0	M8 x 1,25	161,43	259,71	6430	6617	6617