

An overview of Compact Rails

Why use this product?

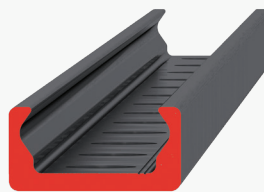
Misalignment compensation system. Unique master and slave rails allow the system to operate effectively even when a pair of rails are not perfectly parallel.

Manually adjustable pre-load.

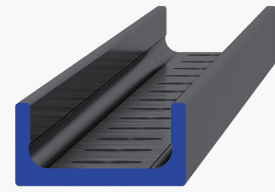
Ideal product when mounting surfaces are not precision ground, which is a requirement for standard linear guides.



MISALIGNMENT DIAGRAM EXAMPLE



MASTER 'T' RAIL

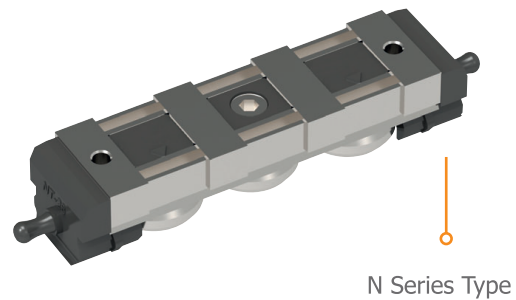


SLAVE 'U' RAIL

Slider options



CSW Type



N Series Type

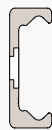
Rail sizes



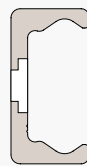
Size 18



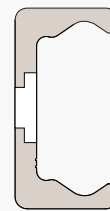
Size 28



Size 35



Size 43



Size 63