

An overview of Curved Rails

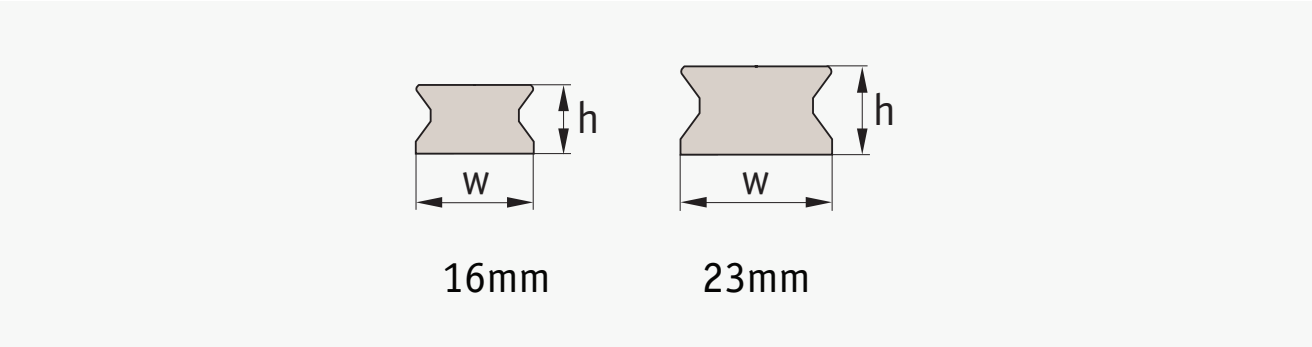
Why use this product?

In any application where a bend or curve is required in the linear guide such as a door, sliding table or oval track.

Manufactured to your specifications.
Can also be manufactured in aluminium and stainless steel.



Rail sizes



An introduction to Curviline Rails

The Curviline rail system offers a cost-effective solution to curvilinear applications.

Flexibility when you need it

Constant radius, variable radius are available in standard radii, non-standard radii to your drawings are also possible. Straight and curved sections in a single length can be supplied.

Any radius

- From 120mm radius upwards.
- Standard and special radii.
- Angles up to 360°.

Anti-corrosion

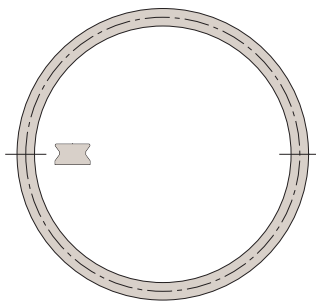
Alloy coating or nickel plating of the rails and sliders can be applied to provide a corrosion resistant solution.



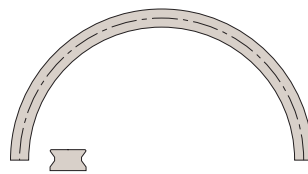
Two profiles

- Small and medium rail profiles.
- Add carriages to suit load.

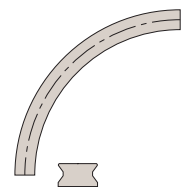
Examples



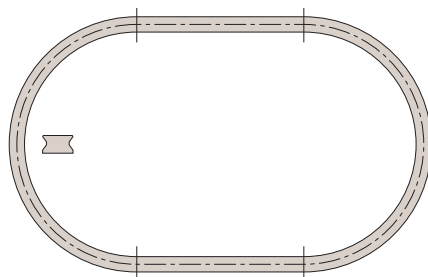
Circle



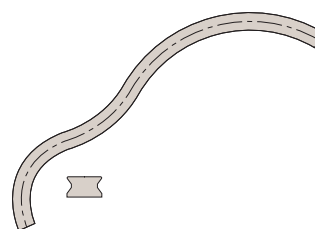
Semi-circle



Arcs



Ovals



Complex rails with varied radii and angles