

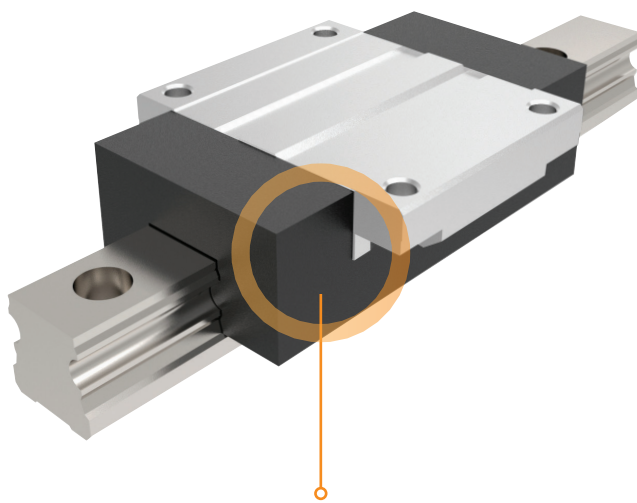
# An overview of Aluminium Linear Guides

## Why use this product?

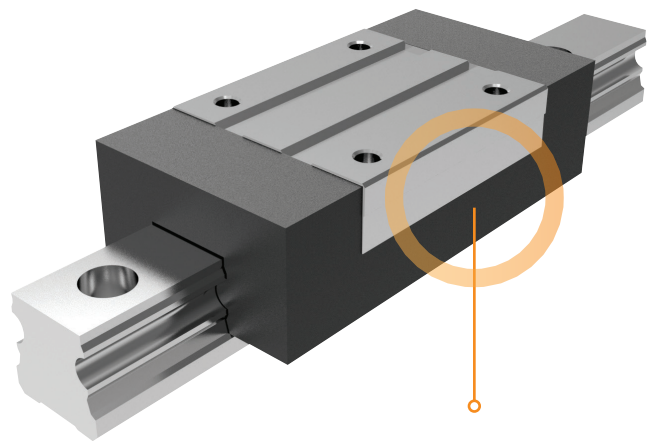
Compact and lightweight. These weigh approximately 60% less than comparatively sized steel rails.

Corrosion resistant material. Hardened stainless balls and rail strips to prevent wear.

### LINEAR GUIDES : L1018



Flanged Carriages



Unflanged Carriages

## Rail sizes

