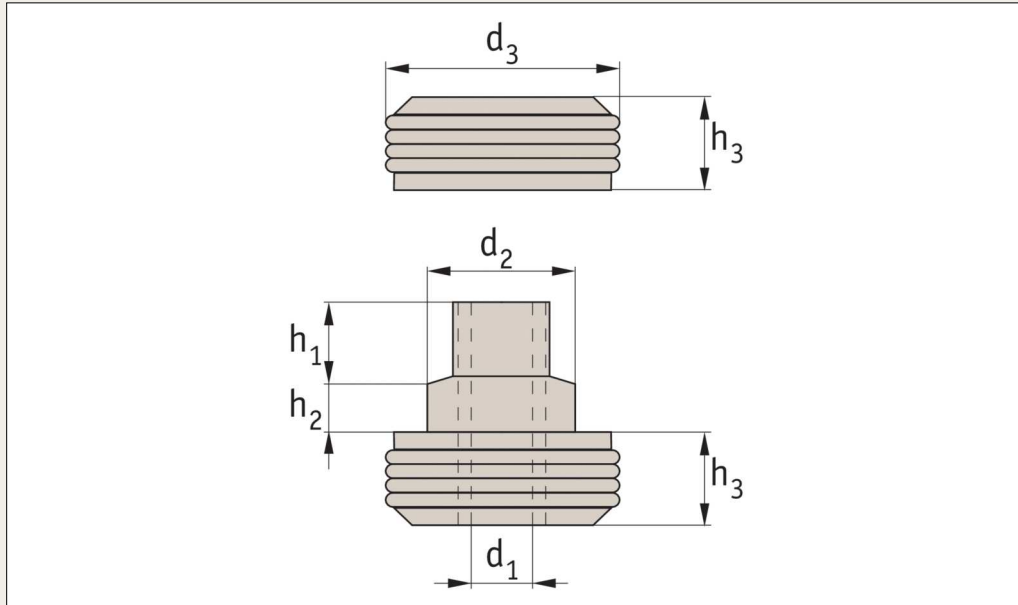


Anti-vibration Bushes

rubber, two-piece

Anti-Vibration
Components



P2072

Material

Rubber on silver zinc plated steel

Technical notes

This anti-vibration mount is ideal for applications of major dynamic loads

where movement control is necessary, such as in the cabin of all types of mobile vehicles. It also offers optimal stability, as well as good attenuation of impacts and vibrations.

Important notes

The double washer mounts are made of two parts of rubber, one of which bears an inside metal bushing which acts as a guide through the machine anchoring screw.

Order no.	d ₁	h ₁	d ₂	d ₃	h ₂	h ₃	Plate min.	Plate max.	Max. load Kgf	Δ [±] g
P2072.50-45	13,5	18,5	31,5	49	11	20	12,5	14	80	153
P2072.50-60	13,5	18,5	31,5	49	11	20	12,5	14	130	153
P2072.65-45	17,0	24,0	39,5	64	15	23	19,0	22	120	350
P2072.65-60	17,0	24	39,5	64	15	23	19,0	22	260	350
P2072.90-45	23,0	31,0	58,0	88	17	25	25,0	29	260	675
P2072.90-60	23,0	31,0	58,0	88	17	25	25,0	29	450	675

Tel: 01483 26 67 74
Fax: 01483 26 67 75

Email: info@automotioncomponents.co.uk
Web: automotioncomponents.co.uk

AUTOMOTION®
COMPONENTS