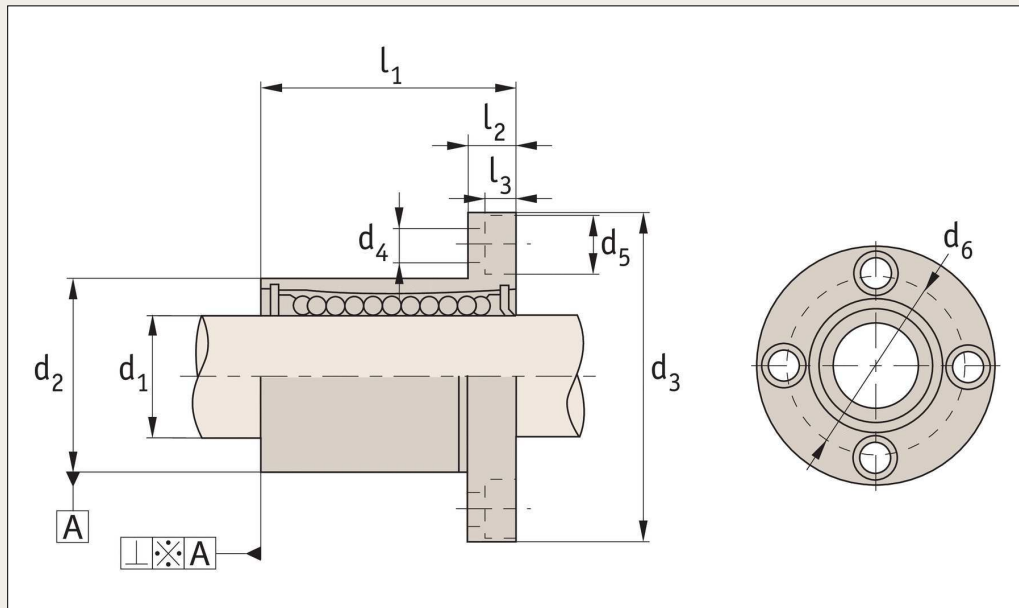


Flanged Linear Ball Bushings

circular flange

Linear Ball Bushings



L1718

Material

Hardened and ground body from bearing steel.
Single body resin retainer (POM).
Supplied with nitrile rubber (NBR) end-seals -UU as standard.

For use with hardened shafts only (see part nos. L1770 - L1772) - tolerance h6.

For part numbers with ⁻¹ shaft tolerance required is g6. Temperature range : -20°C to +80°C.

Steel ball retainers can be supplied for higher temperature applications (up to +120°C - with no end seals).

Please advise at time of ordering if this is required.

Tips

Nickel plated version with stainless steel balls (for corrosion resistance) on request - or stainless steel version no. L1720.

Technical notes

Order No.	d ₁ H6	d ₂ h6	l ₁	d ₃ h4	d ₄	d ₅	d ₆	l ₂	l ₃	Square-ness A μ	No. of ball circuits	Max. dynamic load C N	Max. static load C ₀ N	Δ _± g
L1718.006-1	6	12	19	28	3,4	6,5	20	5	3,3	12	4	200	260	26,5
L1718.008	8	16	25	32	3,4	6,5	24	5	3,3	12	4	260	400	44,0
L1718.010-1	10	19	29	40	4,5	8,0	29	6	4,4	12	4	370	540	78,0
L1718.012	12	22	32	42	4,5	8,0	32	6	4,4	12	4	410	590	86,0
L1718.016	16	26	36	46	4,5	8,0	36	6	4,4	12	5	770	1170	120,0
L1718.020	20	32	45	54	5,5	9,5	43	8	5,4	15	5	860	1370	184,0
L1718.025	25	40	58	62	5,5	9,5	51	8	5,4	15	6	980	1560	335,0
L1718.030	30	47	68	76	6,6	11,0	62	10	6,5	15	6	1560	2740	545,0
L1718.040	40	62	80	98	9,0	14,0	80	13	8,6	20	6	2150	4010	1185,0
L1718.050	50	75	100	112	9,0	14,0	94	13	8,6	20	6	3820	7930	1730,0
L1718.060	60	90	125	134	11,0	17,5	112	18	10,8	25	6	4700	9990	3180,0