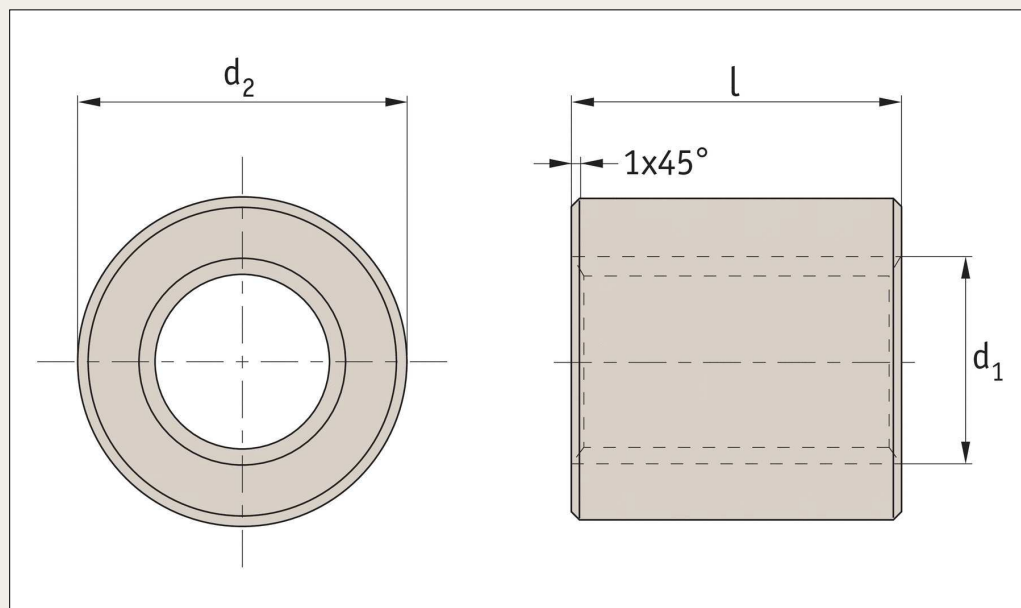


Cylindrical Stainless Steel Nuts

for lead screws

Lead Screws and Nuts



L1341

Material

Stainless steel (AISI 303).

Technical notes

Especially suitable to withstand corrosive chemicals.

Tips

Standard nuts are right hand thread. For use with stainless steel lead screws nos. L1322 and L1323.

| Order No. | Size | d ₁ 7H | Lead<> | Thread direction | d ₂ h11 | l +0.0,-0.2 | No. of starts | Contact surface mm ² | ⚖ Kg |
|---------------------|--------|----------------------|--------|------------------|-----------------------|----------------|---------------|------------------------------------|---------|
| L1341.R12-03 | TR12x3 | 12 | 3 | Right | 26 | 18 | 1 | 297 | 0,060 |
| L1341.R16-04 | TR16x4 | 16 | 4 | Right | 36 | 24 | 1 | 528 | 0,157 |
| L1341.R20-04 | TR20x4 | 20 | 4 | Right | 45 | 30 | 1 | 847 | 0,305 |
| L1341.R24-05 | TR24x5 | 24 | 5 | Right | 50 | 36 | 1 | 1215 | 0,436 |
| L1341.R30-06 | TR30x6 | 30 | 6 | Right | 60 | 45 | 1 | 1908 | 0,766 |
| L1341.R36-06 | TR36x6 | 36 | 6 | Right | 75 | 54 | 1 | 2799 | 1,462 |
| L1341.R40-07 | TR40x7 | 40 | 7 | Right | 80 | 60 | 1 | 3440 | 1,808 |
| L1341.R50-08 | TR50x8 | 50 | 8 | Right | 90 | 75 | 1 | 5418 | 2,653 |
| L1341.L12-03 | TR12x3 | 12 | 3 | Left | 26 | 18 | 1 | 297 | 0,060 |
| L1341.L16-04 | TR16x4 | 16 | 4 | Left | 36 | 24 | 1 | 528 | 0,157 |
| L1341.L20-04 | TR20x4 | 20 | 4 | Left | 45 | 30 | 1 | 847 | 0,305 |
| L1341.L24-05 | TR24x5 | 24 | 5 | Left | 50 | 36 | 1 | 1215 | 0,436 |
| L1341.L30-06 | TR30x6 | 30 | 6 | Left | 60 | 45 | 1 | 1908 | 0,766 |
| L1341.L36-06 | TR36x6 | 36 | 6 | Left | 75 | 54 | 1 | 2799 | 1,462 |
| L1341.L40-07 | TR40x7 | 40 | 7 | Left | 80 | 60 | 1 | 3440 | 1,808 |
| L1341.L50-08 | TR50x8 | 50 | 8 | Left | 90 | 75 | 1 | 5418 | 2,653 |