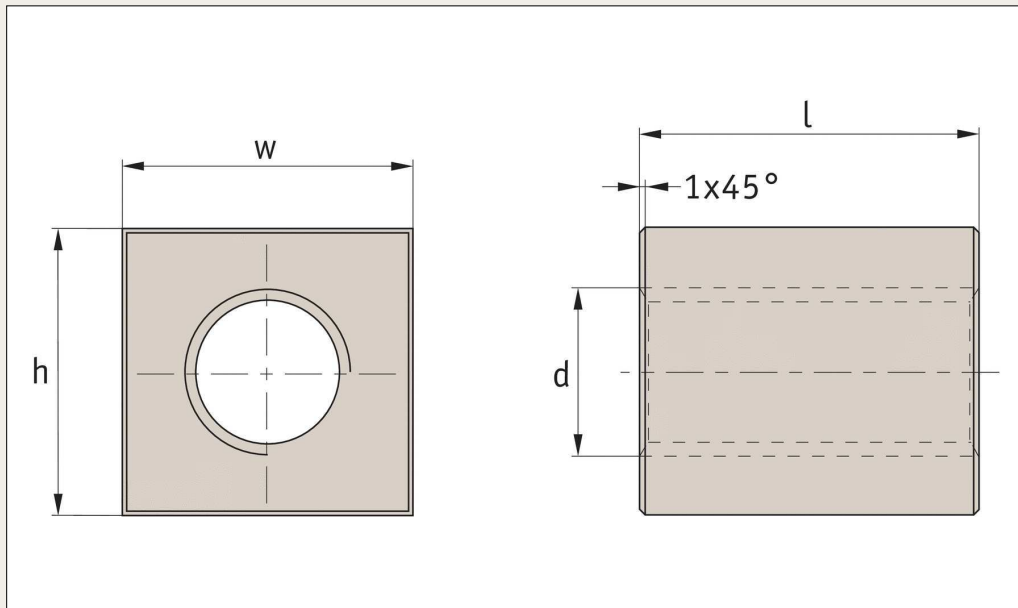


Square Steel Nuts

for lead screws

Lead Screws and Nuts



L1336

Material

Steel (11SMnPb37). Manufactured to ISO 2901/2903 (DIN 103).

Technical notes

Used for low rotation speeds, manual control, for clamping or locking functions and for receiving dead weights.

The use of steel to steel contact surface is not suitable for motorised motion.

Tips

Standard nuts are right hand thread, single starts.

For use with steel or stainless steel lead screws, L1320, L1321, L1322, and L1323.

Order No.	Size	d<> 7H	Lead	Thread direction	l +0.0,-0.2	h & w h11	No.of starts	Contact surface mm ²	⚖ Kg
L1336.R10-02	TR10x 2	10	2	Right	15	17	1	150	0,027
L1336.R10-04	TR10x 4	10	4	Right	15	17	2	150	0,027
L1336.R12-03	TR12x 3	12	3	Right	18	25	1	210	0,076
L1336.R12-06	TR12x 6	12	6	Right	18	25	2	210	0,076
L1336.R14-03	TR14x 3	14	3	Right	20	25	1	285	0,079
L1336.R14-06	TR14x 6	14	6	Right	20	25	2	285	0,079
L1336.R16-04	TR16x 4	16	4	Right	24	28	1	770	0,199
L1336.R16-08	TR16x 8	16	8	Right	24	28	2	365	0,119
L1336.R18-04	TR18x 4	18	4	Right	28	30	1	1131	0,353
L1336.R18-08	TR18x 8	18	8	Right	28	30	2	470	0,154
L1336.R20-04	TR20x 4	20	4	Right	30	35	1	1412	0,517
L1336.R20-08	TR20x 8	20	8	Right	30	35	2	590	0,259
L1336.R22-05	TR22x 5	22	5	Right	33	35	1	700	0,240
L1336.R22-10	TR22x10	22	10	Right	33	35	2	700	0,240
L1336.R24-05	TR24x 5	24	5	Right	36	40	1	845	0,354
L1336.R24-10	TR24x19	24	10	Right	36	40	2	845	0,354
L1336.R26-05	TR26x 5	26	5	Right	39	40	1	1005	0,363
L1336.R26-10	TR26x10	26	10	Right	39	40	2	1005	0,363
L1336.R28-05	TR28x 5	28	5	Right	42	45	1	1175	0,506
L1336.R28-10	TR28x10	28	10	Right	42	45	2	1175	0,506
L1336.R30-06	TR30x 6	30	6	Right	45	45	1	2544	0,877
L1336.R30-12	TR30x12	30	12	Right	45	45	2	1335	0,513
L1336.R32-06	TR32x 6	32	6	Right	48	55	1	1430	0,891
L1336.R32-12	TR32x12	32	12	Right	48	55	2	1430	0,891
L1336.R36-06	TR36x 6	36	6	Right	54	60	1	3630	1,465
L1336.R36-12	TR36x12	36	12	Right	54	60	2	1950	1,163
L1336.R40-07	TR40x 7	40	7	Right	60	60	1	4013	1,347
L1336.R40-14	TR40x14	40	14	Right	60	60	2	2400	1,216
L1336.R44-07	TR44x 7	44	7	Right	66	65	1	2940	1,538

Square Steel Nuts

for lead screws

Lead Screws and Nuts

Order No.	Size	d<> 7H	Lead	Thread direction	l +0.0,-0.2	h & w h11	No.of starts	Contact surface mm ²	⚖ Kg
L1336.L10-02	TR10x2	10	2	Left	15	17	1	150	0,027
L1336.L12-03	TR12x3	12	3	Left	18	25	1	739	0,123
L1336.L14-03	TR14x3	14	3	Left	20	25	1	285	0,079
L1336.L16-04	TR16x4	16	4	Left	24	28	1	770	0,199
L1336.L18-04	TR18x4	18	4	Left	28	30	1	1131	0,353
L1336.L20-04	TR20x4	20	4	Left	30	35	1	1412	0,517
L1336.L22-05	TR22x5	22	5	Left	33	35	1	700	0,240
L1336.L24-05	TR24x5	24	5	Left	36	40	1	845	0,354
L1336.L26-05	TR26x5	26	5	Left	39	40	1	1005	0,363
L1336.L28-05	TR28x5	28	5	Left	42	45	1	1175	0,506
L1336.L30-06	TR30x6	30	6	Left	45	45	1	2544	0,877
L1336.L32-06	TR32x6	32	6	Left	48	55	1	1430	0,891
L1336.L36-06	TR36x6	36	6	Left	54	60	1	1950	1,163
L1336.L40-07	TR40x7	40	7	Left	60	60	1	4013	1,347
L1336.L44-07	TR44x7	44	7	Left	66	65	1	2940	1,538