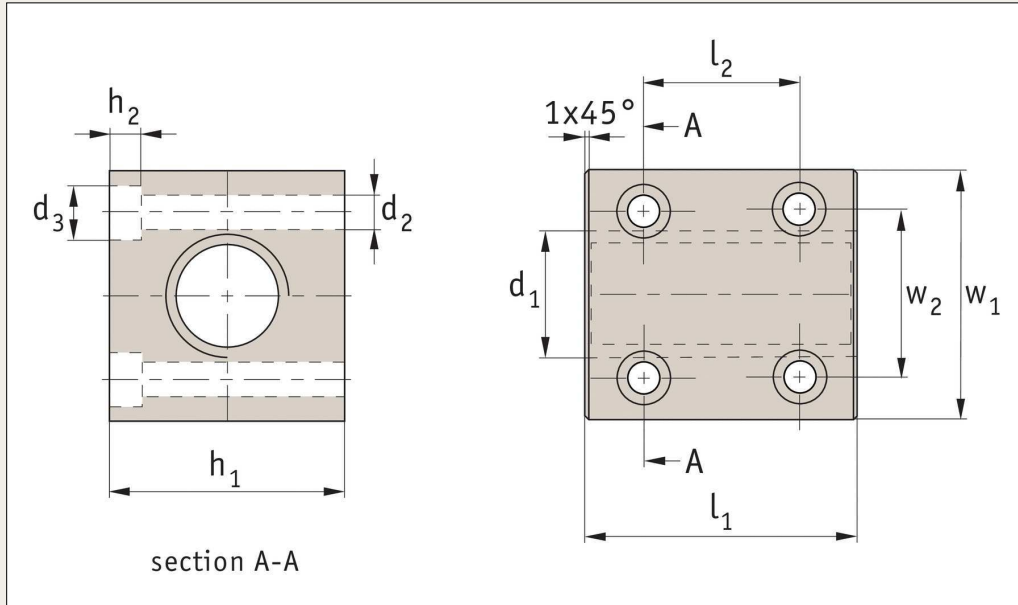


Square Bronze Nut with Through Holes

for lead screws

Lead Screws and Nuts



L1334

Material

Bronze (CuSn12-C - CC483K).

Suitable for movements with medium duty loads.

For use with steel or stainless steel lead screws, L1320, L1321, L1322, and L1323.

Technical notes

Tips

Standard nuts are right hand thread, single starts.

*Special M8 fixing screw with a reduced head diameter.

Order No.	Size	d ₁ 7H	Lead	Thread direction	No. of starts	l ₁ +0.0,-0.2	h ₁ & w ₁ h9	l ₂	w ₂	h ₂	d ₂	d ₃	Contact surface mm ²	⚖ Kg
L1334.R16-04	TR16x4	16	4	Right	1	40	35	26	24	5,2	5	9,5	770	0,34
L1334.R20-04	TR20x4	20	4	Right	1	50	40	38	28	6,5	6	10,0	1412	0,57
L1334.R30-06	TR30x6	30	6	Right	1	60	50	49	38	6,5	6	10,0	2544	0,98
L1334.R40-07	TR40x7	40	7	Right	1	75	60	55	49	8,5	8*	9,9*	4013	1,60
L1334.L16-04	TR16x4	16	4	Left	1	40	35	26	24	5,2	5	9,5	770	0,34
L1334.L20-04	TR20x4	20	4	Left	1	50	40	38	28	6,5	6	10,0	1412	0,57
L1334.L30-06	TR30x6	30	6	Left	1	60	50	49	38	6,5	6	10,0	2544	0,98
L1334.L40-07	TR40x7	40	7	Left	1	75	60	55	49	8,5	8*	9,9*	4013	1,60