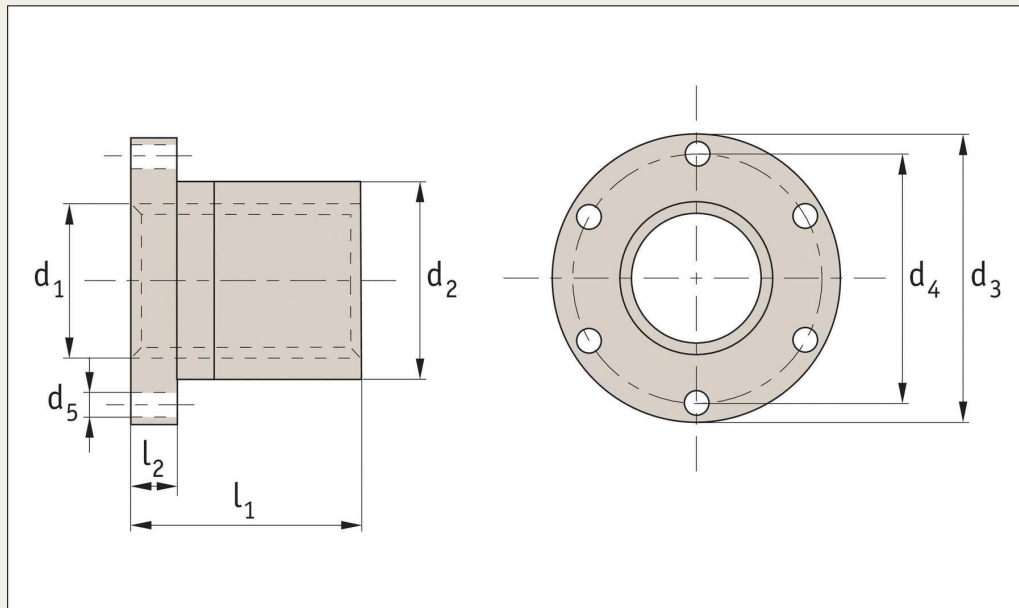


Flanged Bronze Nuts

for lead screws

Lead Screws and Nuts



L1331

Material
Bronze (CuSn7ZnPb).

For manual or powered applications at medium/low rotation speeds under load.

Standard nuts are right hand thread, single starts.

For use with steel or stainless steel lead screws, L1320, L1321, L1322, and L1323.

Technical notes

Tips

Order No.	Size	d_1 7H	Lead	Thread direction	d_2 h9	d_3 h11	d_4	d_5	l_1 ± 0.2	l_2 $+0.15, -0.0$ 0	No. of starts	Contact surface mm ²	Δ Kg
L1331.R10-02	TR10x 2	10	2	Right	25	42	34	5	25	10	1	250	0,164
L1331.R10-04	TR10x 4	10	2	Right	25	42	34	5	25	10	2	250	0,164
L1331.R12-03	TR12x 3	12	3	Right	28	48	38	6	35	12	1	400	0,266
L1331.R12-06	TR12x 6	12	6	Right	28	48	38	6	35	12	2	400	0,266
L1331.R14-03	TR14x 3	14	3	Right	28	48	38	6	35	12	1	460	0,258
L1331.R14-06	TR14x 6	14	6	Right	28	48	38	6	35	12	2	460	0,258
L1331.R16-04	TR16x 4	16	4	Right	28	48	38	6	35	12	1	530	0,244
L1331.R16-08	TR16x 8	16	8	Right	28	48	38	6	35	12	2	530	0,244
L1331.R18-04	TR18x 4	18	4	Right	28	48	38	6	35	12	1	610	0,228
L1331.R18-08	TR18x 8	18	8	Right	28	48	38	6	35	12	2	610	0,228
L1331.R20-04	TR20x 4	20	4	Right	32	55	45	7	44	12	1	870	0,346
L1331.R20-08	TR20x 8	20	8	Right	32	55	45	7	44	12	2	870	0,346
L1331.R22-05	TR22x 5	22	5	Right	32	55	45	7	44	12	1	1030	0,322
L1331.R22-10	TR22x10	22	10	Right	32	55	45	7	44	12	2	1030	0,322
L1331.R24-05	TR24x 5	24	5	Right	32	55	45	7	44	12	1	1040	0,304
L1331.R24-10	TR24x10	24	10	Right	32	55	45	7	44	12	2	1040	0,304
L1331.R26-05	TR26x 5	26	5	Right	38	62	50	7	46	14	1	1280	0,474
L1331.R26-10	TR26x10	26	10	Right	38	62	50	7	46	14	2	1280	0,474
L1331.R28-05	TR28x 5	28	5	Right	38	62	50	7	46	14	1	1200	0,442
L1331.R28-10	TR28x10	28	10	Right	38	62	50	7	46	14	2	1200	0,442
L1331.R30-06	TR30x 6	30	6	Right	38	62	50	7	46	14	1	1370	0,408
L1331.R30-12	TR30x12	30	12	Right	38	62	50	7	46	14	2	1370	0,408
L1331.R32-06	TR32x 6	32	6	Right	45	70	58	7	54	16	1	1710	0,706
L1331.R32-12	TR32x12	32	12	Right	45	70	58	7	54	16	2	1710	0,706
L1331.R36-06	TR36x 6	36	6	Right	45	70	58	7	54	16	1	1950	0,606
L1331.R36-12	TR36x12	36	12	Right	45	70	58	7	54	16	2	1950	0,606
L1331.R40-07	TR40x 7	40	7	Right	63	95	78	9	66	16	1	2650	1,700
L1331.R40-14	TR40x14	40	14	Right	63	95	78	9	66	16	2	2650	1,700
L1331.R44-07	TR44x 7	44	7	Right	63	95	78	9	66	16	1	2940	1,524
L1331.R50-08	TR50x 8	50	8	Right	72	110	90	11	75	18	1	4540	2,324

Tel: 0845 850 99 40
Fax: 0845 850 99 41

Email: info@automotioncomponents.co.uk
Web: automotioncomponents.co.uk

AUTOMOTION®
COMPONENTS

Flanged Bronze Nuts

for lead screws

Lead Screws and Nuts

Order No.	Size	d ₁ 7H	Lead	Thread direction	d ₂ h9	d ₃ h11	d ₄	d ₅	l ₁ ±0.2	l ₂ +0.15,-0.0 0	No.of starts	Contact surface mm ²	⚖ Kg
L1331.R60-09	TR60x 9	60	9	Right	88	130	110	13	90	20	1	5490	3,942
L1331.R70-10	TR70x10	70	10	Right	95	140	120	13	105	22	1	7500	4,465
L1331.L10-02	TR10x 2	10	2	Left	25	42	34	5	25	10	1	250	0,164
L1331.L12-03	TR12x 3	12	3	Left	28	48	38	6	35	12	1	400	0,266
L1331.L14-03	TR14x 3	14	3	Left	28	48	38	6	35	12	1	460	0,258
L1331.L16-04	TR16x 4	16	4	Left	28	48	38	6	35	12	1	530	0,244
L1331.L18-04	TR18x 4	18	4	Left	28	48	38	6	35	12	1	610	0,228
L1331.L20-04	TR20x 4	20	4	Left	32	55	45	7	44	12	1	870	0,346
L1331.L22-05	TR22x 5	22	5	Left	32	55	45	7	44	12	1	1030	0,322
L1331.L24-05	TR24x 5	24	5	Left	32	55	45	7	44	12	1	1040	0,304
L1331.L26-05	TR26x 5	26	5	Left	38	62	50	7	46	14	1	1280	0,474
L1331.L28-05	TR28x 5	28	5	Left	38	62	50	7	46	14	1	1200	0,442
L1331.L30-06	TR30x 6	30	6	Left	38	62	50	7	46	14	1	1370	0,408
L1331.L32-06	TR32x 6	32	6	Left	45	70	58	7	54	16	1	1710	0,706
L1331.L36-06	TR36x 6	36	6	Left	45	70	58	7	54	16	1	1950	0,606
L1331.L40-07	TR40x 7	40	7	Left	63	95	78	9	66	16	1	2650	1,700
L1331.L44-07	TR44x 7	44	7	Left	63	95	78	9	66	16	1	2940	1,524
L1331.L50-08	TR50x 8	50	8	Left	72	110	90	11	75	18	1	4540	2,324
L1331.L60-09	TR60x 9	60	9	Left	88	130	110	13	90	20	1	5490	3,942
L1331.L70-10	TR70x10	70	10	Left	95	140	120	13	105	22	1	7500	4,465