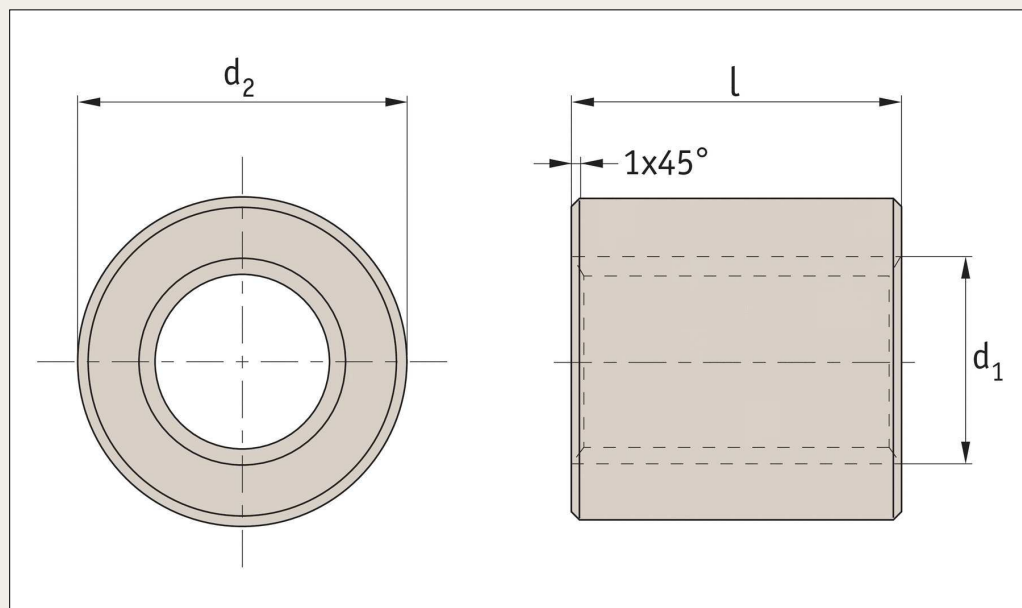


# Cylindrical Bronze Nuts

for lead screws

## Lead Screws and Nuts



### L1330

#### Material

Bronze (CuSn8P). To ISO 2901/2903 and DIN 103.

For manual or powered applications at low and medium rotation and under loads.

Standard nuts are right hand thread, single starts.

For use with steel or stainless steel lead screws, L1320, L1321, L1322, and L1323.

#### Technical notes

#### Tips

Order No.	Size	d <sub>1</sub> 7H	Lead	Thread direction	d <sub>2</sub> h10	l	No. of starts	Contact surface mm <sup>2</sup>	Δ± Kg
L1330.R10-02	TR10x 2	10	2	Right	22	20	1	200	0,053
L1330.R10-04	TR10x 4	10	4	Right	22	20	2	200	0,053
L1330.R12-03	TR12x 3	12	3	Right	26	24	1	280	0,083
L1330.R12-06	TR12x 6	12	6	Right	26	24	2	280	0,083
L1330.R14-03	TR14x 3	14	3	Right	30	28	1	380	0,135
L1330.R14-06	TR14x 6	14	6	Right	30	28	2	380	0,135
L1330.R16-04	TR16x 4	16	4	Right	36	32	1	490	0,232
L1330.R16-08	TR16x 8	16	8	Right	36	32	2	490	0,232
L1330.R18-04	TR18x 4	18	4	Right	40	36	1	630	0,320
L1330.R18-08	TR18x 8	18	8	Right	40	36	2	630	0,320
L1330.R20-04	TR20x 4	20	4	Right	45	40	1	790	0,455
L1330.R20-08	TR20x 8	20	8	Right	45	40	2	790	0,455
L1330.R22-05	TR22x 5	22	5	Right	45	44	1	940	0,480
L1330.R22-10	TR22x10	22	10	Right	45	44	2	940	0,480
L1330.R24-05	TR24x 5	24	5	Right	50	48	1	1130	0,656
L1330.R24-10	TR24x10	24	10	Right	50	48	2	1130	0,656
L1330.R26-05	TR26x 5	26	5	Right	50	52	1	1340	0,670
L1330.R26-10	TR26x10	26	10	Right	50	52	2	1340	0,670
L1330.R28-05	TR28x 5	28	5	Right	60	56	1	2400	1,102
L1330.R28-10	TR28x10	28	10	Right	60	56	2	1570	1,102
L1330.R30-06	TR30x 6	30	6	Right	60	60	1	1780	1,140
L1330.R30-12	TR30x12	30	12	Right	60	60	2	1780	1,140
L1330.R32-06	TR32x 6	32	6	Right	60	64	1	1910	1,177
L1330.R32-12	TR32x12	32	12	Right	60	64	2	1910	1,177
L1330.R36-06	TR36x 6	36	6	Right	75	72	1	2610	2,189
L1330.R36-12	TR36x12	36	12	Right	75	72	2	2610	2,189
L1330.R40-07	TR40x 7	40	7	Right	80	80	1	3210	2,725
L1330.R40-14	TR40x14	40	14	Right	80	80	2	3210	2,725
L1330.R44-07	TR44x 7	44	7	Right	80	88	1	3920	2,815
L1330.R50-08	TR50x 8	50	8	Right	90	100	1	5060	4,014
L1330.R60-09	TR60x 9	60	9	Right	100	120	1	7320	5,150

Tel: 01483 26 67 74  
Fax: 01483 26 67 75

Email: [info@automotioncomponents.co.uk](mailto:info@automotioncomponents.co.uk)  
Web: [automotioncomponents.co.uk](http://automotioncomponents.co.uk)

**AUTOMOTION<sup>®</sup>**  
**COMPONENTS**

# Cylindrical Bronze Nuts

for lead screws

Lead Screws and Nuts

Order No.	Size	d <sub>1</sub> 7H	Lead	Thread direction	d <sub>2</sub> h10	l	No. of starts	Contact surface mm <sup>2</sup>	Δ± Kg
<b>L1330.R70-10</b>	TR70x10	70	10	Right	110	140	1	10000	7,805
<b>L1330.R80-10</b>	TR80x10	80	10	Right	120	160	1	12950	9,800
<b>L1330.L10-02</b>	TR10x 2	10	2	Left	22	20	1	200	0,053
<b>L1330.L12-03</b>	TR12x 3	12	3	Left	26	24	1	280	0,083
<b>L1330.L14-03</b>	TR14x 3	14	3	Left	30	28	1	380	0,136
<b>L1330.L16-04</b>	TR16x 4	16	4	Left	36	32	1	490	0,232
<b>L1330.L18-04</b>	TR18x 4	18	4	Left	40	36	1	630	0,320
<b>L1330.L20-04</b>	TR20x 4	20	4	Left	45	40	1	790	0,455
<b>L1330.L22-05</b>	TR22x 5	22	5	Left	45	44	1	940	0,480
<b>L1330.L24-05</b>	TR24x 5	24	5	Left	50	48	1	1130	0,656
<b>L1330.L26-05</b>	TR26x 5	26	5	Left	50	52	1	1340	0,670
<b>L1330.L28-05</b>	TR28x 5	28	5	Left	60	56	1	2400	1,102
<b>L1330.L30-06</b>	TR30x 6	30	6	Left	60	60	1	1780	1,140
<b>L1330.L32-06</b>	TR32x 6	32	6	Left	60	64	1	1910	1,177
<b>L1330.L36-06</b>	TR36x 6	36	6	Left	75	72	1	2610	2,189
<b>L1330.L40-07</b>	TR40x 7	40	7	Left	80	80	1	3210	2,725
<b>L1330.L44-07</b>	TR44x 7	44	7	Left	80	88	1	3920	2,815
<b>L1330.L50-08</b>	TR50x 8	50	8	Left	90	100	1	5060	4,014
<b>L1330.L60-09</b>	TR60x 9	60	9	Left	100	120	1	7320	5,150
<b>L1330.L70-10</b>	TR70x10	70	10	Left	110	140	1	10000	7,805
<b>L1330.L80-10</b>	TR80x10	80	10	Left	120	160	1	12950	9,800