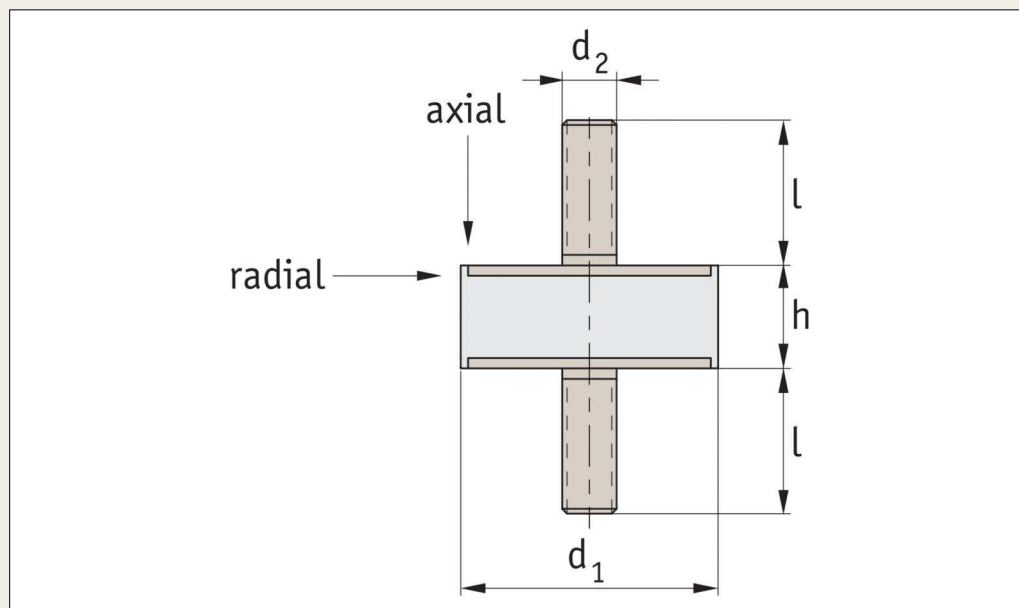




Anti Vibration Components



P2004

Material

Rubber on silver zinc plated steel (rubber hardness - 55 Shore A).

Technical notes

Parts with small diameters (d_1) and relatively long length (h) cannot accept radial loads (as shown in table).

Different thread sizes on request. For rubber mounted on stainless steel - see part no. P2005.

Tips

These cylinders are used to reduce vibration by allowing some movement (in axial and radial as shown). Typically used in machinery, compressors, air conditioning units, light engineering equipment etc.

Order No.	d_1	h	d_2	l	Max. axial load Kgf	Max. radial load Kgf
P2004.006-007-03	6	7	M 3	10	3	-
P2004.008-008-03	8	8	M 3	10	3	-
P2004.009-012-04	9	12	M 4	10	6	1,5
P2004.010-008-04	10	8	M 4	10	8	1,5
P2004.010-010-04	10	10	M 4	10	10	1,5
P2004.015-008-04	15	8	M 4	14	15	2,4
P2004.015-010-04	15	10	M 4	14	13	2,4
P2004.015-010-05	15	10	M 5	14	13	2,4
P2004.015-015-04	15	15	M 4	14	13	3,0
P2004.015-015-05	15	15	M 5	14	13	3,0
P2004.015-020-04	15	20	M 4	14	10	-
P2004.015-020-05	15	20	M 5	14	10	-
P2004.015-022-04	15	22	M 4	14	10	-
P2004.015-025-04	15	25	M 4	14	9	-
P2004.015-028-04	15	28	M 4	14	9	-
P2004.016-008-04	16	8	M 4	10	-	-
P2004.016-008-05	16	8	M 5	12	-	-
P2004.016-010-04	16	10	M 4	10	-	-
P2004.016-010-05	16	10	M 5	12	-	-
P2004.016-015-04	16	15	M 4	14	13	2,4
P2004.016-015-05	16	15	M 5	14	13	2,4
P2004.016-020-04	16	20	M 4	10	-	-
P2004.016-020-05	16	20	M 5	12	-	-
P2004.016-025-04	16	25	M 4	10	-	-
P2004.016-025-05	16	25	M 5	12	-	-
P2004.018-007-06	18	7,5	M 6	16	20	3,0
P2004.018-008-06	18	8,5	M 6	16	20	3,0
P2004.018-012-06	18	12	M 6	16	18	3,0

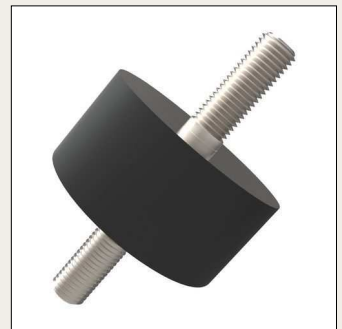
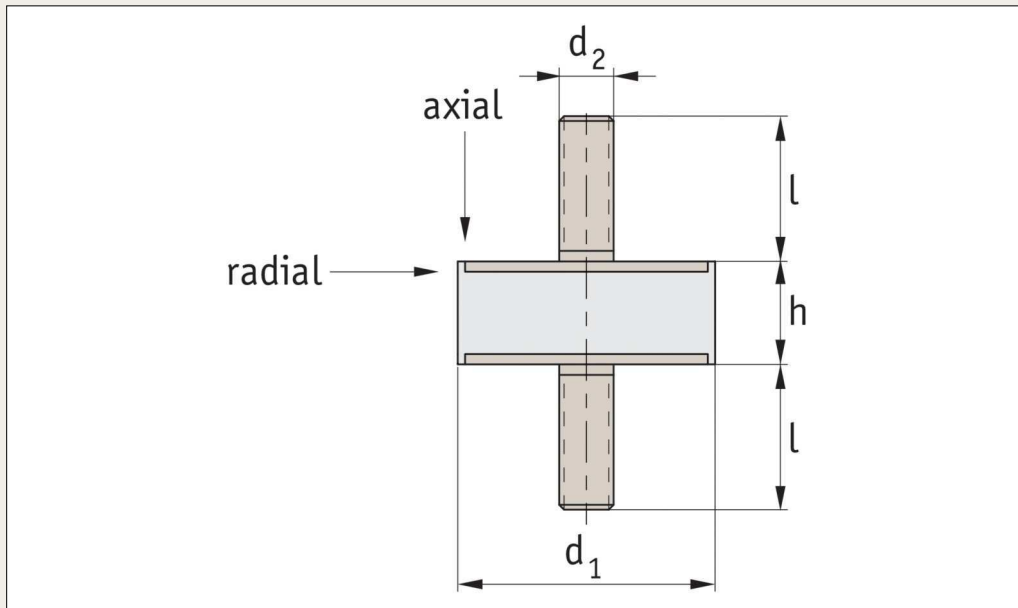
Order No.	d ₁	h	d ₂	l	Max. axial load Kgf	Max. radial load Kgf
P2004.020-009-06	20	9	M 6	16	27	5,0
P2004.020-010-06	20	10	M 6	16	30	5,0
P2004.020-015-06	20	15	M 6	16	25	5,0
P2004.020-020-06	20	20	M 6	16	21	4,5
P2004.020-025-06	20	25	M 6	16	20	4,0
P2004.020-030-06	20	30	M 6	16	18	3,5
P2004.020-035-06	20	35	M 6	16	18	3,5
P2004.025-010-06	25	10	M 6	18	46	9,0
P2004.025-010-08	25	10	M 8	18	46	9,0
P2004.025-015-06	25	15	M 6	18	44	8,5
P2004.025-015-08	25	15	M 8	18	44	8,5
P2004.025-020-06	25	20	M 6	18	41	8,0
P2004.025-020-08	25	20	M 8	18	41	8,0
P2004.025-022-06	25	22	M 6	16	-	-
P2004.025-022-08	25	22	M 8	20	-	-
P2004.025-025-06	25	25	M 6	18	40	7,5
P2004.025-025-08	25	25	M 8	18	40	7,5
P2004.025-030-06	25	30	M 6	18	40	7,0
P2004.025-030-08	25	30	M 8	18	40	7,0
P2004.025-040-06	25	40	M 6	18	36	4,0
P2004.025-040-08	25	40	M 8	18	36	4,0
P2004.030-010-08	30	10	M 8	20	-	-
P2004.030-015-08	30	15	M 8	20	90	12,0
P2004.030-020-08	30	20	M 8	20	90	10,5
P2004.030-025-08	30	25	M 8	20	85	10,5
P2004.030-030-08	30	30	M 8	20	80	10,5
P2004.030-040-08	30	40	M 8	20	-	-
P2004.035-035-08	35	35	M 8	20	-	-
P2004.035-040-08	35	40	M 8	23	54	13,0
P2004.040-012-08	40	12	M 8	23	120	20,0
P2004.040-020-08	40	20	M 8	20	160	20,0
P2004.040-020-10	40	20	M10	20	160	20,0
P2004.040-025-08	40	25	M 8	20	155	18,0
P2004.040-025-10	40	25	M10	20	155	18,0
P2004.040-028-08	40	28	M 8	20	155	16,0
P2004.040-028-10	40	28	M10	20	155	16,0
P2004.040-030-08	40	30	M 8	23	150	21,0
P2004.040-030-10	40	30	M10	23	150	21,0
P2004.040-035-08	40	35	M 8	20	-	-
P2004.040-035-10	40	35	M10	25	-	-
P2004.040-040-08	40	40	M 8	23	120	22,0
P2004.040-040-10	40	40	M10	23	120	22,0
P2004.040-045-08	40	45	M 8	20	-	-
P2004.040-045-10	40	45	M10	25	-	-
P2004.040-050-08	40	50	M 8	23	80	19,0
P2004.040-050-10	40	50	M10	23	80	19,0
P2004.045-030-08	45	30	M 8	23	112	24,0
P2004.050-020-10	50	20	M10	25	250	30,0
P2004.050-025-10	50	25	M10	25	-	-
P2004.050-030-10	50	30	M10	25	250	29,0
P2004.050-035-10	50	35	M10	25	-	-
P2004.050-040-10	50	40	M10	25	220	29,0
P2004.050-045-10	50	45	M10	25	-	-
P2004.050-050-10	50	50	M10	25	200	29,0
P2004.050-055-10	50	55	M10	25	-	-
P2004.060-020-10	60	20	M10	28	285	35,0
P2004.060-025-10	60	25	M10	30	285	35,0
P2004.060-030-10	60	30	M10	28	200	37,0
P2004.060-035-10	60	35	M10	30	350	39,0
P2004.060-045-10	60	45	M10	30	300	42,0

Order No.	d ₁	h	d ₂	l	Max. axial load Kgf	Max. radial load Kgf
P2004.060-050-10	60	50	M10	37	185	42,0
P2004.060-050-12	60	50	M12	37	185	42,0
P2004.060-060-10	60	60	M10	30	-	-
P2004.070-035-10	70	35	M10	30	-	-
P2004.070-045-10	70	45	M10	35	270	55,0
P2004.070-050-10	70	50	M10	30	350	52,0
P2004.070-070-10	70	70	M10	30	-	-
P2004.075-025-12	75	25	M12	35	650	75,0
P2004.075-030-12	75	30	M12	37	350	75,0
P2004.075-040-12	75	40	M12	35	500	75,0
P2004.075-045-12	75	45	M12	35	-	-
P2004.075-050-12	75	50	M12	37	330	65,0
P2004.075-055-12	75	55	M12	35	450	60,0
P2004.080-030-14	80	30	M14	35	900	75,0
P2004.080-040-14	80	40	M14	35	600	50,0
P2004.080-050-14	80	50	M14	35	750	65,0
P2004.080-070-14	80	70	M14	35	-	-
P2004.080-080-14	80	80	M14	51	280	60,0
P2004.095-040-16	95	40	M16	45	1200	70
P2004.095-055-16	95	55	M16	45	1000	70
P2004.095-060-16	95	60	M16	45	800	70
P2004.095-075-16	95	75	M16	45	800	70
P2004.100-040-16	100	40	M16	45	1200	95
P2004.100-060-16	100	60	M16	45	1100	90
P2004.100-075-16	100	75	M16	45	1000	90
P2004.120-050-16	120	50	M16	45	1500	100
P2004.120-075-16	120	75	M16	45	1200	100
P2004.120-100-16	120	100	M16	45	1000	100
P2004.130-040-16	130	40	M16	45	1900	110
P2004.130-050-16	130	50	M16	45	1600	110
P2004.130-075-16	130	75	M16	45	1450	100
P2004.130-100-16	130	100	M16	45	1200	120
P2004.150-050-16	150	50	M16	50	1800	150
P2004.150-050-20	150	50	M20	50	1800	150
P2004.150-060-16	150	60	M16	50	2200	150
P2004.150-060-20	150	60	M20	50	2200	150
P2004.150-075-16	150	75	M16	50	2000	150
P2004.150-075-20	150	75	M20	50	2000	150
P2004.150-100-16	150	100	M16	50	1400	150
P2004.150-100-20	150	100	M20	50	1400	150
P2004.150-120-16	150	120	M16	50	1300	150
P2004.150-120-20	150	120	M20	50	1300	150
P2004.150-140-16	150	140	M16	50	1200	150
P2004.150-140-20	150	140	M20	50	1200	150

Anti-vibration Cylinders

stainless male:female

Anti-Vibration Cylinders



P2005

Material

Rubber on stainless steel, A2 (rubber hardness - 55 Shore A).

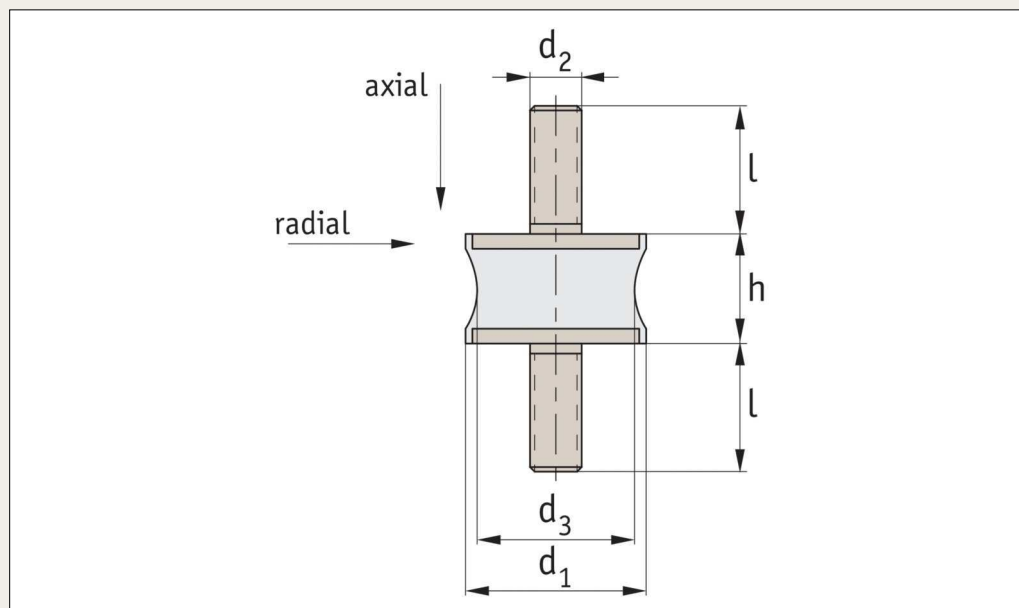
For rubber mounted on silver zinc plated steel - see part no. P2004.

Tips

These cylinders are used to reduce vibration by allowing some movement (in axial and radial as shown). Typically used in machinery, compressors, air conditioning units, light engineering equipment etc.

Technical notes

Order No.	d ₁	h	d ₂	l	Compression max.	Max. axial load Kgf	Max. radial load Kgf
P2005.020-020	20	20	M 6	18	4	25	4,5
P2005.020-025	20	25	M 6	18	5	25	4,0
P2005.025-025	25	25	M 8	18	5	40	7,5
P2005.025-030	25	30	M 8	18	6	35	7,0
P2005.030-030	30	30	M 8	18	6	80	10,5
P2005.030-040	30	40	M 8	18	8	60	13,0
P2005.035-035	35	35	M 8	18	8	90	13,0
P2005.040-030	40	30	M10	27	8	150	21,0
P2005.040-040	40	40	M10	27	10	120	22,0
P2005.050-030	50	30	M10	27	8	250	29,0
P2005.050-040	50	40	M10	27	10	220	29,0
P2005.050-050	50	50	M10	27	12	200	29,0
P2005.060-045	60	45	M10	27	10	300	42,0
P2005.060-060	60	60	M10	27	12	250	44,0



P2010

Material

Rubber on silver zinc plated steel (rubber hardness - 55 Shore A). Available in stainless steel on request.

For rubber mounted on silver zinc plated steel see part no. P2012 (female:female) or P2014 (male:female).

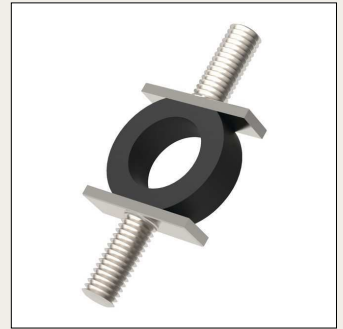
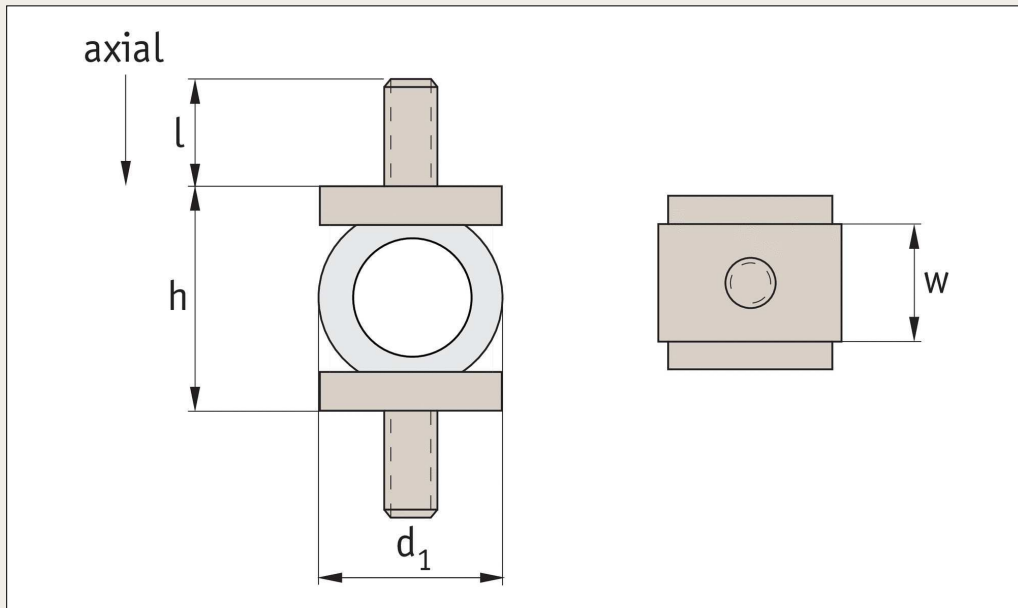
These cylinders are used to reduce vibration by allowing some movement (in axial and radial as shown in drawing).

Typically used in machinery, compressors, air conditioning units, light engineering equipment etc.

Technical notes

Tips

Order No.	d_1	h	d_2	d_3	l	Max. axial load Kgf	Max. radial load Kgf
P2010.012-014	12	14	M 4	7	10	2,5	1,0
P2010.020-015	20	15	M 6	14	15	10	2,5
P2010.020-020	20	20	M 6	12	18	15	2,5
P2010.025-020	25	20	M 6	18	18	25	6,0
P2010.030-020	30	20	M 8	25	23	35	6,0
P2010.030-025	30	25	M 8	24	20	40	6,0
P2010.040-028	40	28	M10	22	25	60	12
P2010.045-050	45	50	M 8	25	23	60	-
P2010.050-030	50	30	M10	42	28	120	25
P2010.057-044	57	44	M 8	25	20	40	-
P2010.060-036	60	36	M10	37	30	90	-
P2010.060-043	60	43	M10	35	30	70	12
P2010.060-060	60	60	M10	51	30	150	30
P2010.070-056	70	56	M12	50	35	220	-
P2010.080-063	80	63	M14	70	350	-	-
P2010.080-070	80	70	M14	70	50	170	55
P2010.090-077	90	77	M16	79	45	500	-
P2010.095-076	95	76	M16	80	46	250	-
P2010.108-085	108	85	M16	95	45	800	-
P2010.130-096	130	96	M16	115	45	1400	-



P2017

Material

Rubber on silver zinc plated steel
(rubber hardness - 55 Shore A).

Technical notes

The spherical mounts are designed for low frequencies with low loads as little as 0.5 kg.

Tips

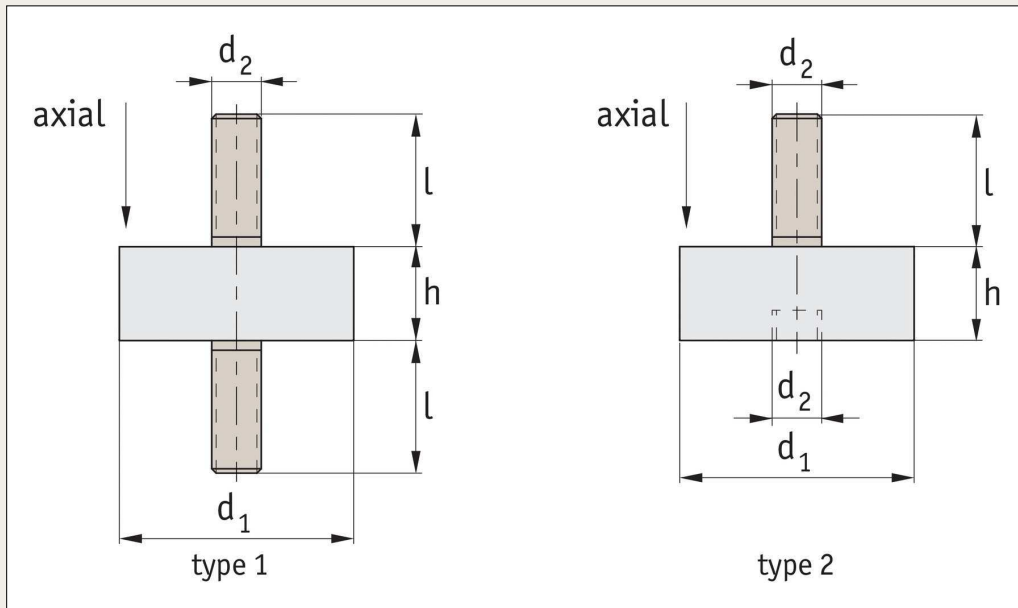
These mounts are not to be used for radial loads.

Order No.	d ₁	h	d ₂	w	l	Compression max.	Max. axial load Kgf
P2017.04-01	15	18	M4	14	8	5	1,25
P2017.04-03	15	18	M4	14	8	5	2,5
P2017.08-05	30	30	M8	30	20	11	3,5

Anti-vibration Cylinders

very light duty

Anti-Vibration
Cylinders



P2018

Material

Sorbothane on silver zinc plated steel.

Technical notes

These cylinders provide high performance damping, isolation and shock motion control in more demanding electronic environments.

Tips

They are commonly used for larger PCBs, disk drives, optical drives, small motors, small pumps and lightweight electronic 'boxes'.

Order No.	Type	d ₁	h	d ₂	l	Max. axial load Kgf
P2018.010-008	Type 1	10,0	8	M3	7	0,5-1
P2018.038-025	Type 1	38,1	25,4	M6	12	8-12
P2018.044-021	Type 1	44,5	21,6	M6	12	16-34
P2018.538-525	Type 2	38,1	25,4	M6	12	8-13
P2018.544-521	Type 2	44,5	21,6	M6	12	16-34

Tel: 01483 26 67 74
Fax: 01483 26 67 75

Email: info@automotioncomponents.co.uk
Web: automotioncomponents.co.uk

AUTOMOTION®
COMPONENTS