



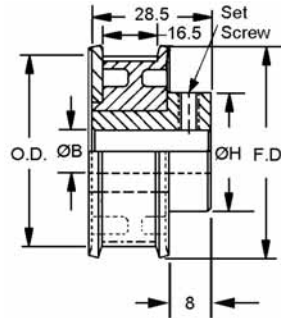
R480



Material
10% glass filled
Polycarbonate (black).
Hub - aluminium.

Technical Notes
Other no's of grooves, bores or
hub styles available on request.

Important Notes
Operates with TB5 (R1475) timing
belts.



Single Flange Timing Pulleys - circ. pitch 5mm HTD
for belts width 6-9mm

Order No.	Bore +0,04 -0,00	No. of teeth	P.D. Ø	O.D. Ø	F.D. Ø	Hub Ø
TP5P4U9M-14	4,00	14	22,28	21,14	25,40	15
TP5P6U9M-15	6,00	15	23,87	22,73	26,90	22
TP5P6U9M-16	6,00	16	25,46	24,32	27,70	22
TP5P6U9M-18	6,00	18	28,65	27,50	31,80	32
TP5P6U9M-19	6,00	19	30,24	29,10	33,30	32
TP5P6U9M-20	6,00	20	31,83	30,69	34,80	32
TP5P6U9M-22	6,00	22	35,01	33,87	38,10	32
TP5P6U9M-28	6,00	28	44,55	43,42	47,50	32
TP5P6U9M-30	6,00	30	47,75	46,60	50,80	32
TP5P8U9M-40	8,00	40	63,66	62,52	67,60	32
TP5P8U9M-44	8,00	44	70,03	68,89	73,90	32
TP5P8U9M-50	8,00	50	79,58	78,43	82,80	32

BELTS & PULLEYS



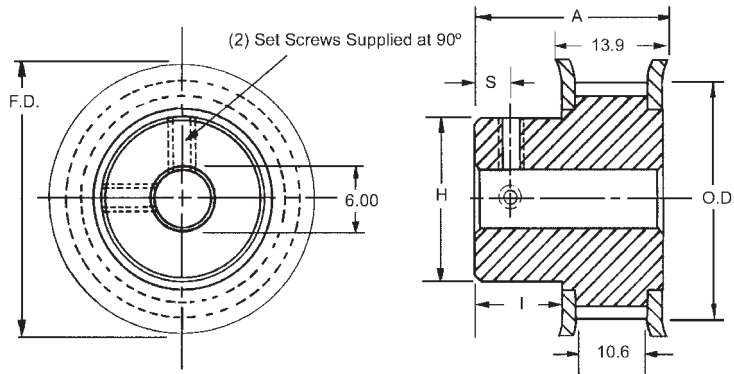
R485



Material
Aluminium DIN 3,1355 anodized.

Technical Notes
* one set screw supplied.
Other no's of grooves, bores or
hub styles available on request.

Important Notes
Operates with TB5 (R1475) timing
belts.



Double Flange Timing Pulleys - circ. pitch 5mm HTD
for belts width 6-9mm

Order No.	Bore +0,04 -0,00	No. of teeth	P.D. Ø	F.D. Ø	A	H	O.D. Ø	I	S
TP5A6W9M-12	6,0	12*	19,1	22,2	20,1	11,1	18,0	6,3	3,2
TP5A6W9M-13	6,0	13*	20,7	23,8	20,1	12,7	19,5	6,3	3,2
TP5A6W9M-14	6,0	14	22,3	25,0	20,1	12,7	21,1	6,3	3,2
TP5A6W9M-15	6,0	15	23,9	27,0	20,1	14,3	22,7	6,3	3,2
TP5A6W9M-16	6,0	16	25,5	27,8	20,1	15,9	24,3	6,3	3,2
TP5A8W9M-18	8,0	18	28,6	31,8	21,6	17,5	27,5	6,3	3,2
TP5A8W9M-20	8,0	20	31,8	34,9	21,6	20,6	30,7	6,3	3,2
TP5A8W9M-22	8,0	22	35,0	38,1	21,6	23,8	33,9	6,3	3,2
TP5A8W9M-24	8,0	24	38,2	41,3	21,6	25,0	37,1	7,9	4,0
TP5A8W9M-26	8,0	26	41,4	44,5	21,6	27,0	40,2	7,9	4,0
TP5A8W9M-28	8,0	28	44,6	47,6	21,6	30,2	43,4	7,9	4,0
TP5A8W9M-30	8,0	30	47,7	50,8	21,6	30,2	46,6	7,9	4,0