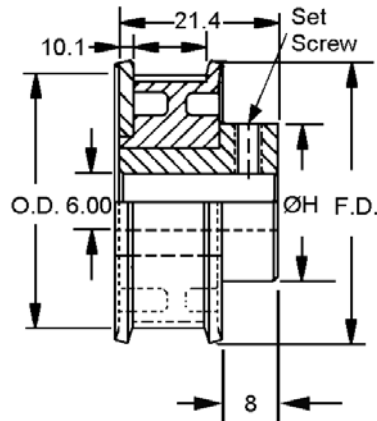


Double Flange Timing Pulleys - 3mm circ. pitch (HTD) for belts width 6-9mm



Order No.	Bore +0,04 -0,00	No. of teeth	P.D. Ø	O.D. Ø	F.D. Ø	Hub Ø H
TP3P6W9M-28	6,00	28	26,74	25,98	29,7	19
TP3P6W9M-30	6,00	30	28,65	27,89	31,8	19
TP3P6W9M-32	6,00	32	30,56	29,80	33,5	19
TP3P6W9M-36	6,00	36	34,38	33,62	37,3	22
TP3P6W9M-40	6,00	40	38,20	37,44	41,1	22
TP3P6W9M-42	6,00	42	40,11	39,35	43,2	22
TP3P6W9M-48	6,00	48	45,84	45,07	48,8	22
TP3P6W9M-50	6,00	50	47,75	46,98	50,8	22
TP3P8W9M-60	8,00	60	57,30	56,53	60,2	22
TP3P8W9M-72	8,00	72	68,75	67,99	71,9	22



R1450



Material
10% glass filled polycarbonate (black).
Aluminium insert.

Technical Notes

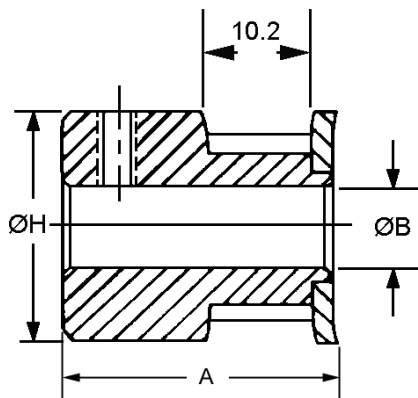
Other materials, bore and hub styles available on request.
Made solid without tightening grooves.

Important Notes

Operates with TB3 (R1430 & R1431) timing belts.

BELTS & PULLEYS

Double Flange Timing Pulleys - 3mm circ. pitch (HTD) for belts width 6-9mm



Order No.	Bore +0,03 -0,00	No. of teeth	P.D. Ø	F.D. Ø ±0,4	A Ø ±0,4	H Ø ±0,3	O.D. Ø
TP3A3W9M-10	3,00	10	9,5	12,8	17,3	12,8	8,8
TP3A3W9M-11	3,00	11	10,5	13,4	17,3	13,4	9,7
TP3A4W9M-12	4,00	12	11,5	14,7	17,3	14,7	10,7
TP3A6W9M-14	6,00	14	13,4	16,1	17,6	16,1	12,6
TP3A6W9M-15	6,00	15	14,3	17,4	17,6	17,4	13,6
TP3A6W9M-16	6,00	16	15,3	18,0	17,6	18,0	14,5



R1455



Material
Aluminium alloy DIN 3,1355 anodized.

Technical Notes

Other no's of grooves, bores or hub styles available on request.

Supplied with 1 set screw.

Important Notes

Operates with TB3 (R1430 & R1431) timing belts.

