



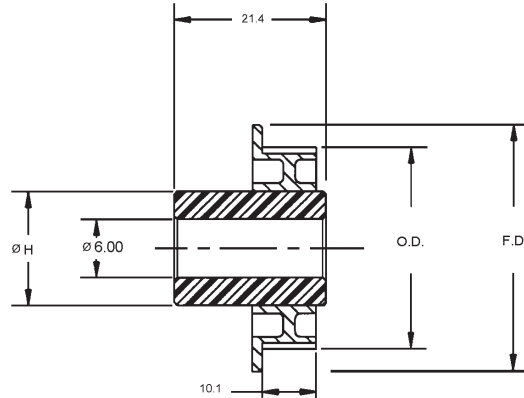
R1440



Material
10% glass filled polycarbonate (black).
Hub - aluminium.

Technical Notes
Other materials, bores and hub styles available on request.
Made solid without lightening grooves.

Important Notes
Operates with TB3 (R1430 & R1431) timing belts.



Single Flange Timing Pulleys - 3mm circular pitch (HTD) for belts width 6-9mm

Order No.	Bore +0,4 -0,0	No. of teeth	P.D. Ø	O.D. Ø	F.D. Ø	ØH Hub
TP3P6U9M-24	6,0	24	22,92	22,16	25,9	19
TP3P6U9M-28	6,0	28	26,74	25,98	29,7	19
TP3P6U9M-30	6,0	30	28,65	27,89	31,8	19
TP3P6U9M-32	6,0	32	30,56	29,80	33,5	19
TP3P6U9M-36	6,0	36	34,38	33,62	37,3	22
TP3P6U9M-40	6,0	40	38,20	37,44	41,1	22
TP3P6U9M-48	6,0	48	45,84	45,07	48,8	22
TP3P6U9M-50	6,0	50	47,70	46,98	50,8	22
TP3P8U9M-60	8,0	60	57,30	56,53	60,2	22
TP3P8U9M-72	8,0	72	68,75	67,99	71,9	22

BELTS & PULLEYS



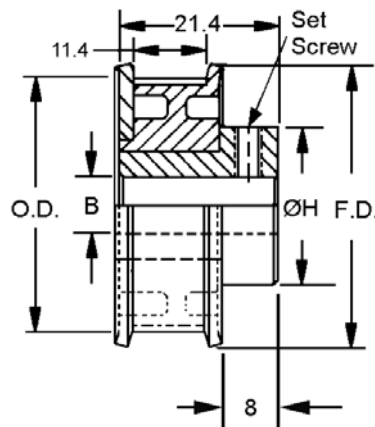
R1445



Material
10% glass filled polycarbonate (black).
Aluminium insert.

Technical Notes
Other materials, bores and hub styles available on request.
Made solid without lightening grooves.

Important Notes
Operates with TB3 (R1430 & R1431) timing belts.



Double Flange Timing Pulleys - 3mm circ. pitch (HTD) for belts width 6-9mm

Order No.	Bore +0,04 -0,00	No. of teeth	P.D. Ø	O.D. Ø	F.D. Ø	Hub ØH
TP3P4W9M-14	4,00	14	13,37	12,61	16,0	17,5
TP3P4W9M-15	4,00	15	14,32	13,56	17,3	17,5
TP3P4W9M-16	4,00	16	15,28	14,52	18,0	17,5
TP3P4W9M-18	6,35	18	17,19	16,43	20,1	17,5
TP3P4W9M-20	6,35	20	19,10	18,34	22,6	17,5
TP3P4W9M-22	6,35	22	21,01	20,25	23,9	17,5